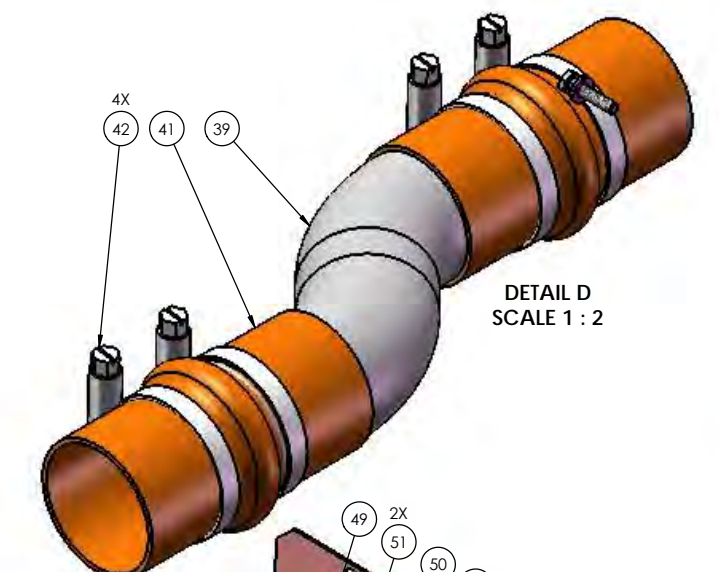
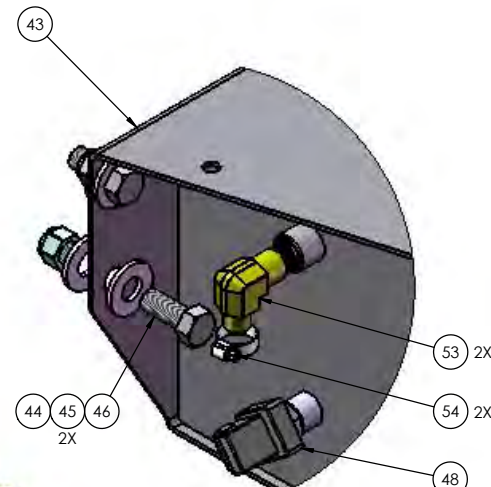


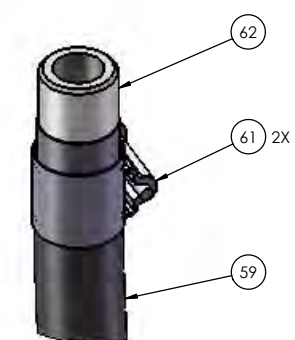
DETAIL B  
SCALE 1 : 2



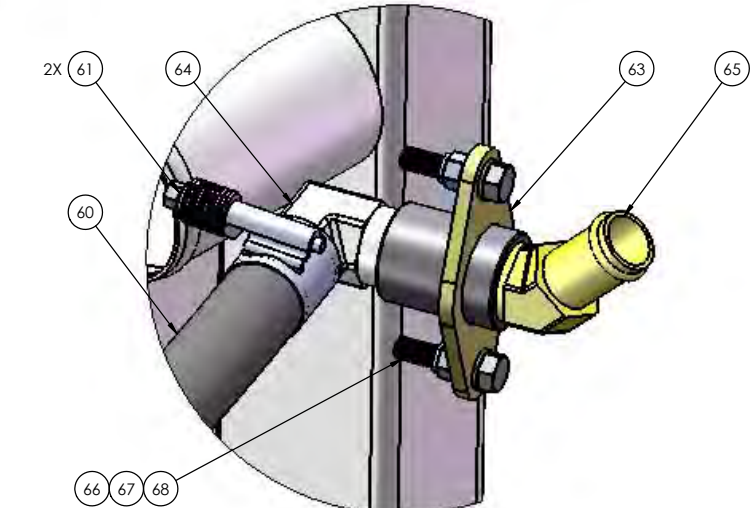
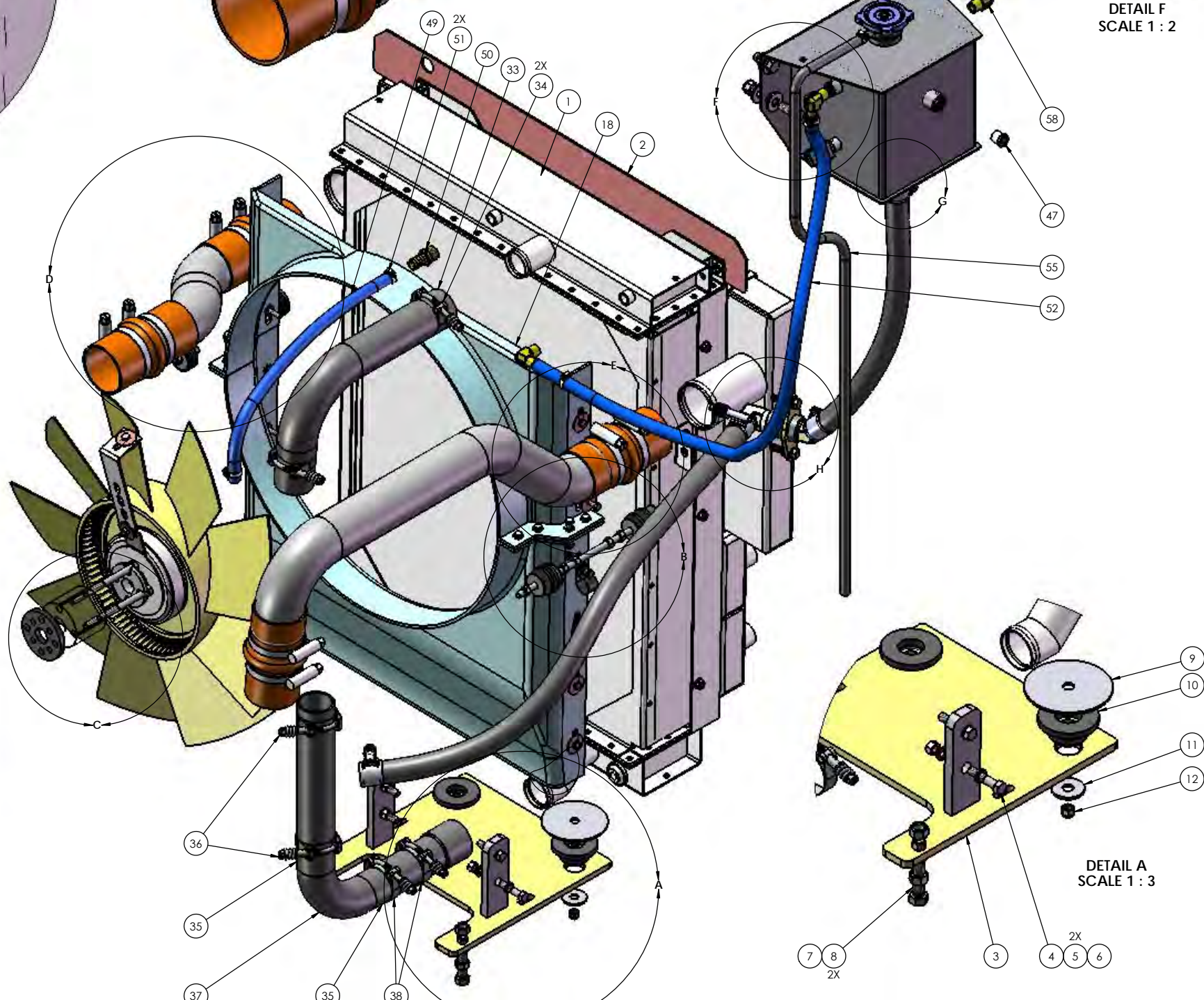
DETAIL D  
SCALE 1 : 2



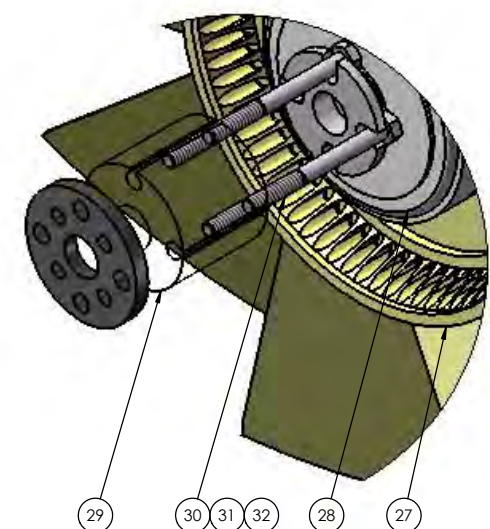
DETAIL F  
SCALE 1 : 2



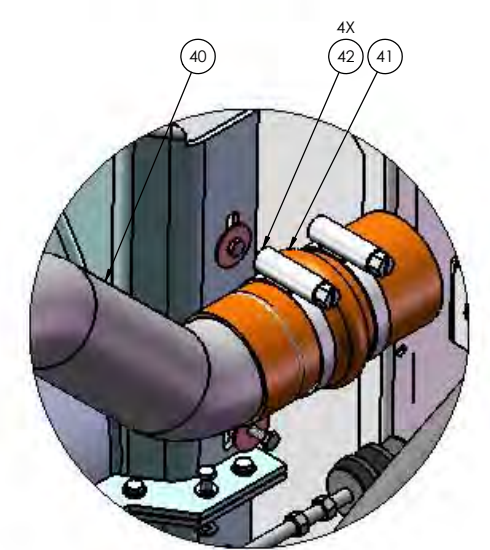
DETAIL G  
SCALE 2 : 3



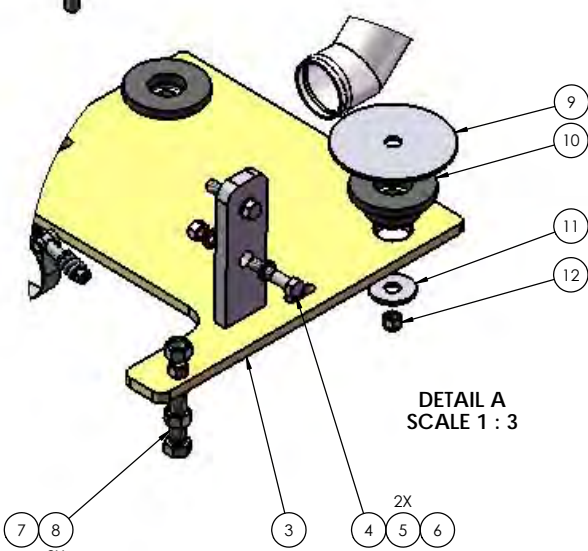
DETAIL H  
SCALE 2 : 3



DETAIL C  
SCALE 1 : 2



DETAIL E  
SCALE 2 : 5



DETAIL A  
SCALE 1 : 3

DIMENSIONS ARE IN INCHES TOLERANCES: DECIMAL: XX ± 0.04 XXX ± 0.03 XXXX ± 0.005 ANGULAR: FRACTIONAL: ± 1/32"		NAME: WHC DATE: 08/01/2012 REVISION: MPC DATE: 07/05/2016 APPROVED:	TICO/TERRMINAL SERVICE 44 CYPRESS RIDGE DR. RIDGELAND, SC 29936 (843) 717-2226
INTERPRET GEOMETRIC TOLERANCING PER: ASME Y14.5M-1994		THE SUBJECT MATTER SHOWN AND DESCRIBED IN THIS DRAWING AND ANY OTHER INFORMATION ADVANCED IN CONNECTION HERewith IS PROPRIETARY PROPERTY AND IS TO BE HELD IN STRICT CONFIDENCE BY YOU. ALL RIGHTS TO ANY INVENTIONS, DESIGNS, TRADE MARKS, TRADE NAMES AND COPYRIGHTS DISCLOSED ARE RESERVED TO TICO/TERRMINAL SERVICES, INC.	
MATERIAL:		TITLE: ASSEMBLY, COOLING SYSTEM QSB IV	
FINISH:		SIZE: D	DWG. NO.: 721115-A1
THICKNESS:		REV: SHEET 1 OF 1	

**TICO PRO-SPOTTER**

**S/N:** **ASSEMBLY, COOLING SYSTEM, QSB IV** **721115**

ITEM	PART #	QTY/M	DESCRIPTION	
	721115-A1	REF	ASSEMBLY, COOLING SYSTEM, QSB IV	
1	620586	1	ASSEMBLY, RADIATOR, CONDENSER MTG, BAR/PLATE, 1/2" STUDS (WITH A/C)	
2	61644	1	BAFFLE, RADIATOR, TOP	
3	12736	1	RADIATOR MOUNT, RUBBER ISOLATORS	
4	82405	4	BOLT, HEX HEAD, 3/8-16 X 1-3/4 LONG (BRACKET TO ENGINE MOUNT)	
5	85091	8	WASHER, FLAT, 3/8	
6	85025	4	LOCKNUT, NYLON, 3/8-16	
7	82880	2	BOLT, HEX HEAD, 3/8-16 X 3 LONG	
8	85014	2	JAM NUT, 3/8-16	
9	62332	2	WASHER, RADIATOR MOUNT (TOP)	
10	62254	2	ISOLATOR, RADIATOR MOUNT	
11	62110	2	WASHER, FRONT ENGINE MOUNT (BOTTOM)	
NOT SHOWN	80316	4	WASHER, FENDER 3/8 ID X 1-1/2 OD	
12	85027	2	LOCKNUT, NYLON, 1/2-13	
13	61603	2	ROD, THREADED, 3/8-16 X 12 LONG	
14	60857	8	MOUNT, RUBBER, 3/8 ID X 1-3/4 OD	
15	80346	8	WASHER, FENDER, 3/8 ID X 1-3/4 OD	
16	85014	4	JAM NUT, 3/8-16	
17	85025	4	LOCKNUT, NYLON, 3/8-16	
18	60988	1	SHROUD, FAN	
19	82359	12	BOLT, HEX HEAD, 1/4-20 X 3/4 LONG (SHROUD SIDES)	
20	85089	16	WASHER, FLAT, 1/4	
21	85023	12	LOCKNUT, NYLON, 1/4-20	
22	82370	12	BOLT, HEX HEAD, 1/4-20 X 1 LONG	
23	80129	12	WASHER, FENDER, 1/4 ID X 1-1/4 OD	
24	85135	12	LOCKWASHER, 1/4	
25	40593	2	P-CLAMP, 1"	
26	85023	1	LOCKNUT, NYLON, 1/4-20	
27	61842	1	FAN, ENGINE, 22", 9 BLADE COMPOSITE, 3-3/4 POWER	
28	60423	1	CLUTCH, FAN	
29	62173	1	SPACER, FAN, 19 MM	
30	60799-19	4	BOLT, SERRATED FLANGE HEAD, 10 MM X 50 MM LONG	
31	85091	4	WASHER, FLAT, 3/8	
32	85135	4	LOCKWASHER, 3/8	
33	60607	1	HOSE, 2" (RADIATOR INLET)	
34	420304	2	CLAMP, "T" BOLT, 2 TO 2-5/16	
<b>REV</b>	<b>DATE</b>	<b>BY</b>		<b>SHEET</b>
A	08/22/2016	MPC		1 OF 3

**TICO PRO-SPOTTER**

**S/N:** **ASSEMBLY, COOLING SYSTEM, QSB IV** **721115**

ITEM	PART #	QTY/M	DESCRIPTION	
35	620488	2	HOSE, 2 X 2-1/4 X 8-1/2 LONG (RADIATOR OUTLET)	
36	420310	2	CLAMP, "T" BOLT, 2-1/8 TO 2-7/16	
37	620487	1	TUBE, COOLANT (RADIATOR TO WATER PUMP)	
38	420305	2	CLAMP, "T" BOLT, 2-1/4 TO 2-9/16	
39	62055	1	TUBE, CAC, LEFT-HAND	
40	61968	1	TUBE, CAC, RIGHT-HAND	
41	40175	4	HOSE, HUMP, 3"	
42	40185	8	CLAMP, CONSTANT TORQUE, 2-3/4 TO 3-5/8	
NOT SHOWN	62048	1	ELBOW, CAC PIPE	
NOT SHOWN	42261	1	CLAMP, V-BAND	
NOT SHOWN	42262	1	SEAL, O-RING	
NOT SHOWN	30337	1	BRACKET, CAC, (RIGHT-HAND TUBE TO ALTERNATOR)	
NOT SHOWN	40005	1	CLAMP, MUFFLER, 3"	
NOT SHOWN	80368	1	BOLT, HEX HEAD, PLATED, 12 MM X 160 MM LONG	
43	61936	1	TANK, SURGE	
44	82407	4	BOLT, HEX HEAD, 1/2-13 X 1-3/4 LONG	
45	85093	8	WASHER, FLAT, 1/2	
46	85027	4	LOCKNUT, NYLON, 1/2-13	
47	40092	1	PLUG, PIPE, 3/8 NPT	
48	60824	1	SENSOR FLUID LEVEL	
49	41158	15 IN	HOSE, 3/8" (ENGINE TO SURGE TANK)	
50	42136	1	FITTING, HOSE BARB STR BRASS, 3/8 HOSE TO 3/8 NPT	
51	40593	2	P-CLAMP, 1"	
52	41158	50 IN	HOSE, 3/8" (ENGINE TO SURGE TANK)	
53	42239	2	FITTING, HOSE, 90°, BRASS, 3/8 BARB X 3/8 NPT	
54	42148	2	CLAMP, HOSE, WORM GEAR, 1/4 TO 5/8	
55	40811	61 IN	HOSE, OVERFLOW, 5/16 ID	
56	41158	55 IN	HOSE, 3/8" (RADIATOR TO SURGE TANK)	
57	42239	2	FITTING, HOSE, 90°, BRASS, 3/8 BARB X 3/8 NPT	
58	42148	2	CLAMP, HOSE WORM GEAR, 1/4 TO 5/8	
59	41014	1	HOSE, HEATER, 1 X 32 LONG (SURGE TANK TO FRAME)	
60	41015	1	HOSE, HEATER, 1 X 26 LONG (FRAME TO WATER PUMP)	
61	40190-2	4	CLAMP, CONSTANT TORQUE, 1-1/16 TO 2	
62	42110	1	FITTING, HOSE, STRAIGHT, STEEL, 1 BARB X 1 NPT	
<b>REV</b>	<b>DATE</b>	<b>BY</b>		<b>SHEET</b>
A	08/22/2016	MPC		2 OF 3

