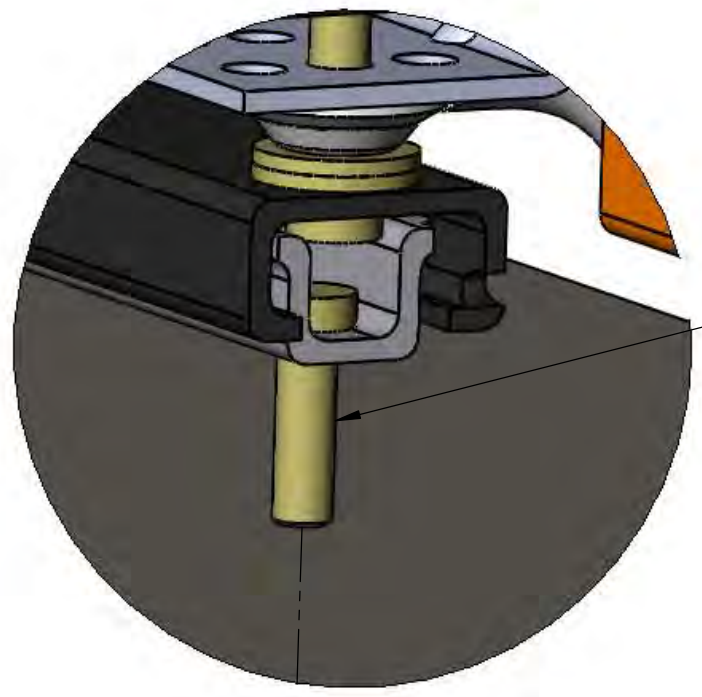


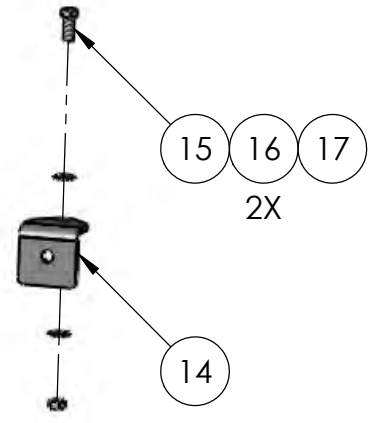
8 7 6 5 4 3 2 1

D
C
B
A

D
C
B
A



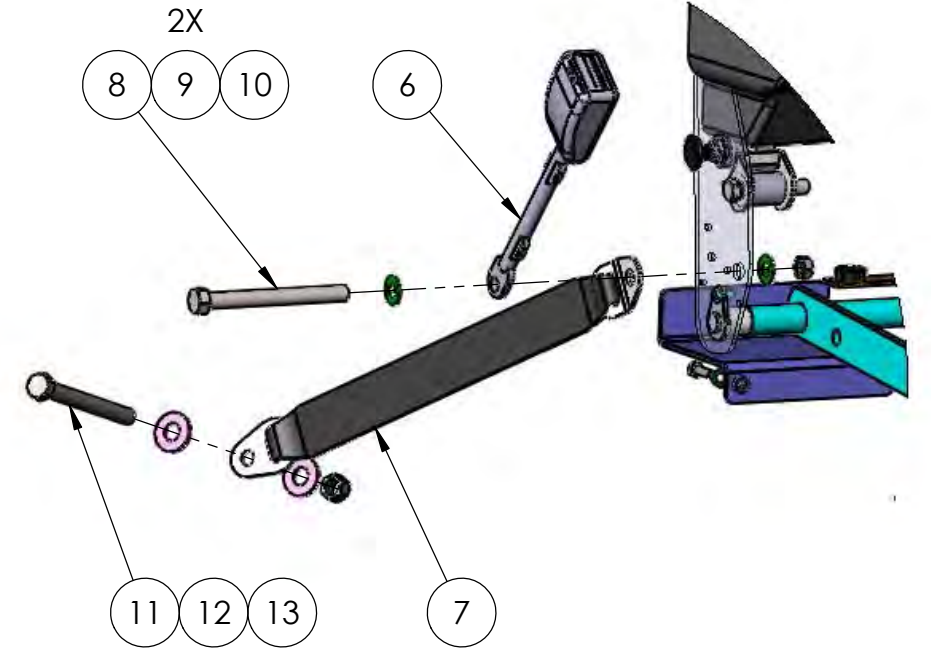
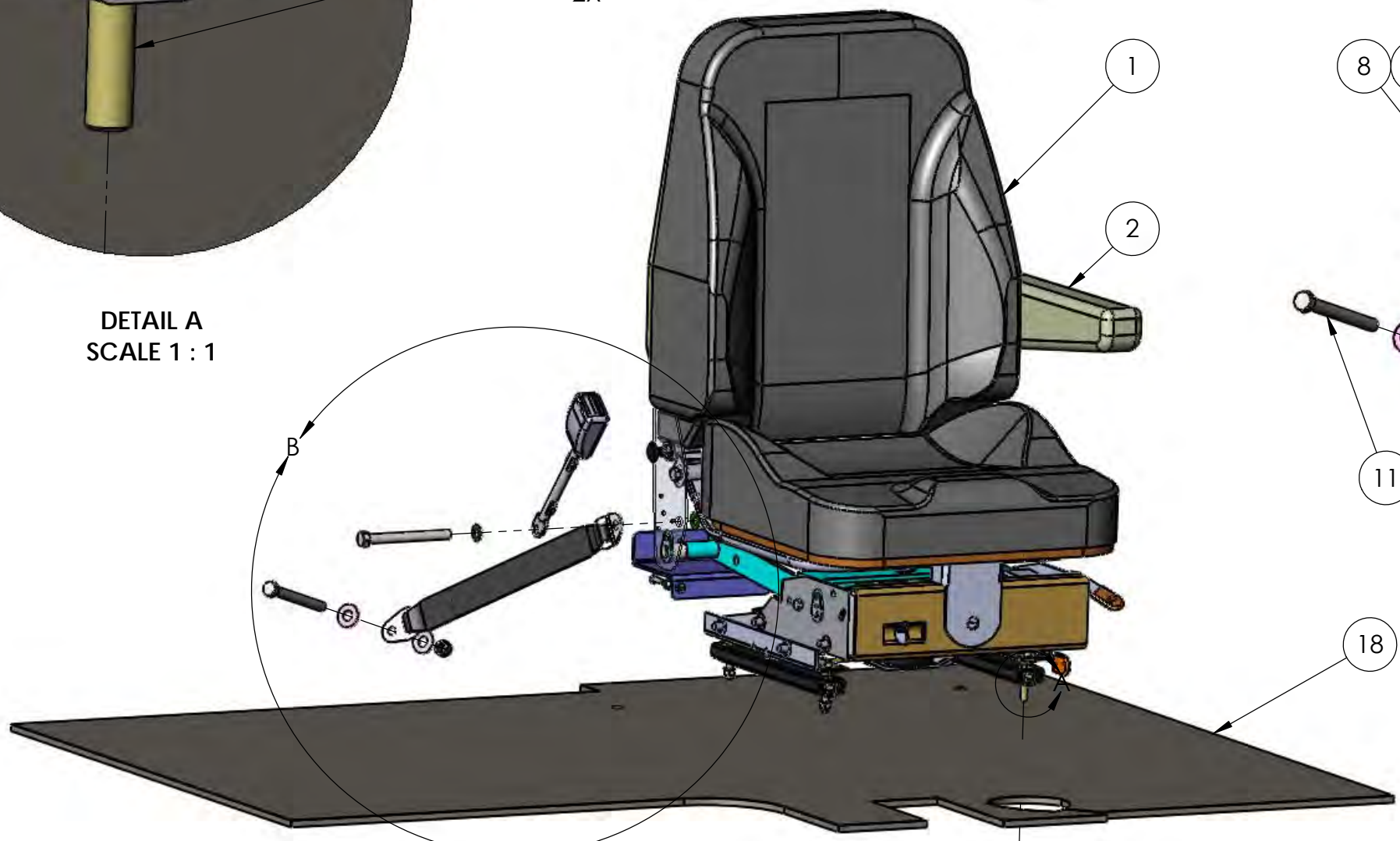
3 4 5
2X



15 16 17
2X

14

DETAIL A
SCALE 1 : 1




8 9 10
2X

11 12 13
2X

DETAIL B
SCALE 1 : 6

18

DIMENSIONS ARE IN INCHES		NAME	DATE	 TICO/TERMINAL SERVICE 66 CYPRESS RIDGE DR. RIDGELAND, SC 29936 (843) 717-2226
TOLERANCES:		DRAWN	SMB 03/11/2015	
DECIMAL:		REVISED	MPC 07/07/2016	
X.X ± 0.06 X.XX ± 0.03 X.XXX ± 0.005 ANGULAR: ± 0.5° FRACTIONAL ± 1/32"		APPROVED		
INTERPRET GEOMETRIC TOLERANCING PER: ASME 14.5M-1994		DO NOT SCALE DRAWING		TITLE:
MATERIAL				SEAT, BOSTROM
FINISH				SIZE DWG. NO. REV
THICKNESS				B 721105-A1
				SHEET 1 OF 1

8 7 6 5 4 3 2 1

