

8 7 6 5 4 3 2 1

D

D

C

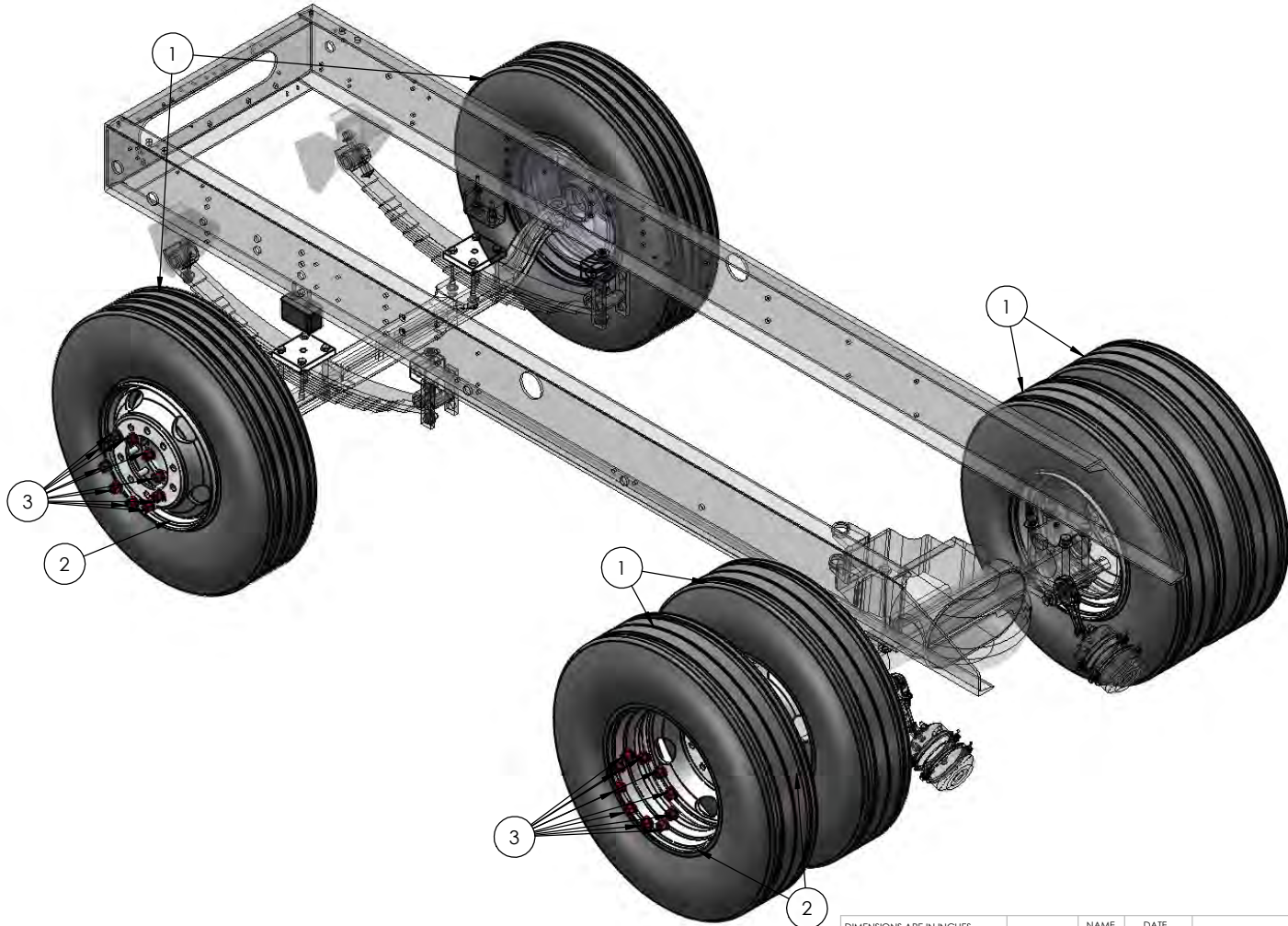
C

B

B

A

A



DIMENSIONS ARE IN INCHES

TOLERANCES:

DECIMAL:
 X.X ± 0.06
 X.XX ± 0.03
 X.XXX ± 0.005

ANGULAR: ± 0.5°

FRACTIONAL: ± 1/32"

INTERPRET GEOMETRIC TOLERANCING PER: ASME 14.5M-1994

MATERIAL

FINISH

THICKNESS

	NAME	DATE
DRAWN	AGW	6/22/2020
CHECKED		
APPROVED		



TICO/TERMINAL SERVICE
 66 CYPRESS RIDGE DR.
 RIDGELAND, SC 29936
 (843) 717-2226

TITLE:
ASSY, TIRES & WHEELS

DO NOT SCALE DRAWING
 THE SUBJECT MATTER SHOWN AND DESCRIBED IN THIS DRAWING AND ANY OTHER INFORMATION ADVANCED IN CONNECTION THEREWITH IS PROPRIETARY PROPERTY AND IS TO BE HELD IN STRICT CONFIDENCE BY YOU. ALL RIGHTS TO ANY INVENTIONS, DESIGNS, TRADE MARKS, TRADE NAMES AND COPYRIGHTS DISCLOSED ARE RESERVED TO TICO TERMINAL SERVICES, INC.

SIZE B	DWG. NO. 721098	REV A1
------------------	---------------------------	------------------

SCALE: 1:16 SHEET 1 OF 1

8 7 6 5 4 3 2 1

