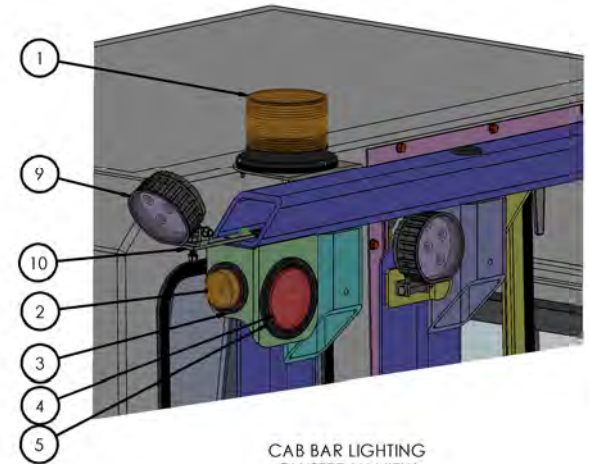
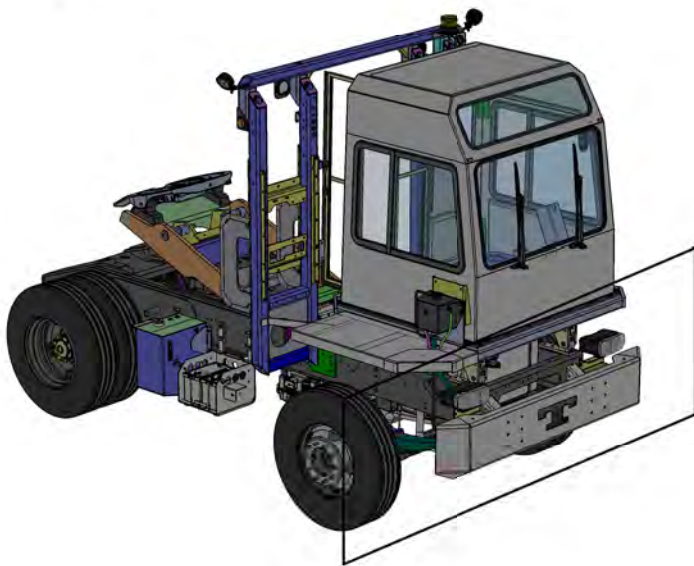


HEADLAMP DETAIL



CAB BAR LIGHTING CLUSTER LH VIEW



APPROVED: [Signature] DATE: [Date] BY: [Name]	TITLE: [Title] DEPARTMENT: [Department]		TICO MANUFACTURING 4400 CYPRESS FLOODE CR. ROCK HAVEN, NC 27088 (843) 717-2222
TITLE: LIGHTS & MOUNTING-12V, 2016, 46-72" CAB, 3 FLOODS			REV: [Revision]
SIZE: [Size] DWG. NO.: 721097-81			REV: [Revision]
SCALE: 1:30 WEIGHT: [Weight]			SHEET 1 OF 1

721097-81

