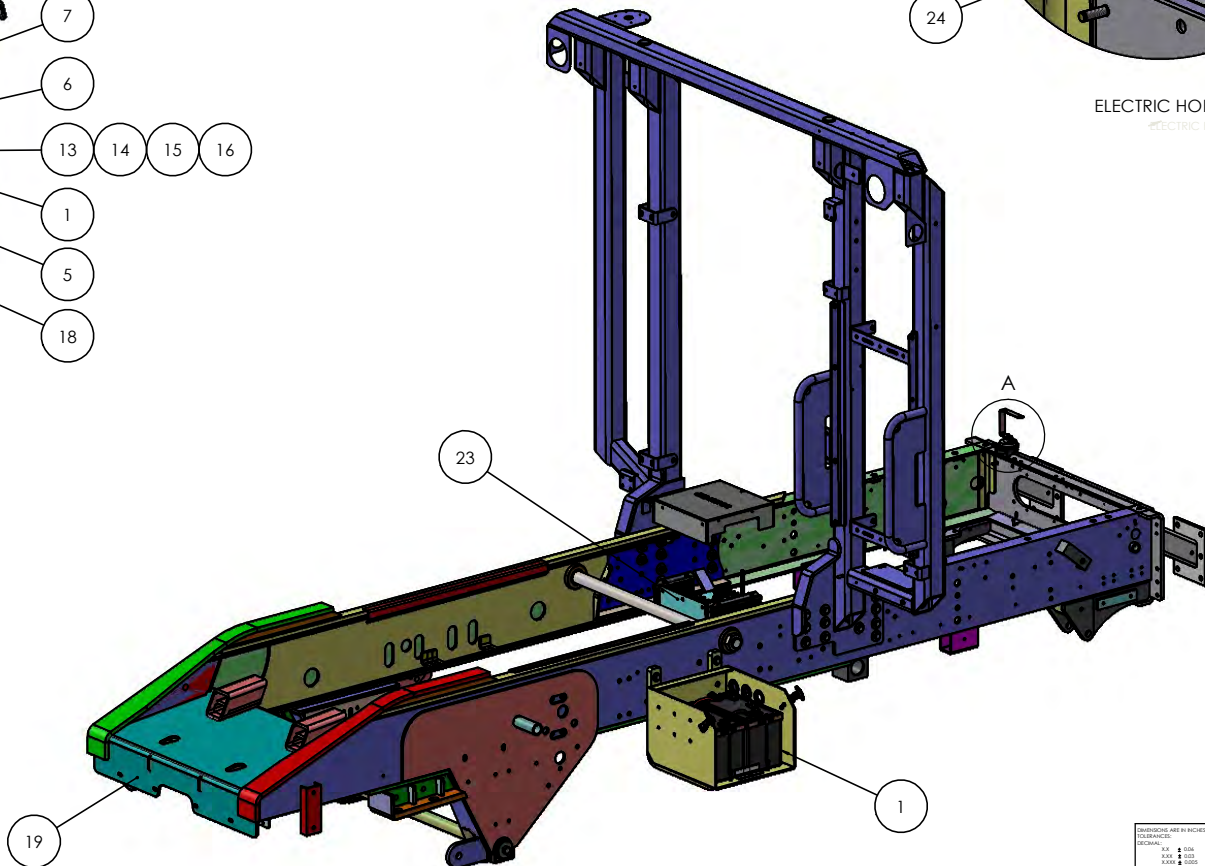


ELECTRIC HORN
ELECTRIC HORN



DIMENSIONS ARE IN INCHES		SCALE	DATE	TICO MANUFACTURING	
TOLERANCES:	DECIMAL	DRAWN	ACM	6/19/2020	66 CYPRESS ROUGE DR.
GENERAL	.005	CHECKED			ROCKLAND, SC 29554
FINISH	.005	APPROVED			TICORACTORS.COM
FUNCTIONAL	.010	DO NOT SCALE DRAWING		TITLE: 721095 BATTERY BOX ASSEMBLY	
INTERIOR DIMENSIONS COORDINATING PER DRAWING	THE SUBJECT MATTER SHOWN AND DESCRIBED IN THIS DRAWING AND ANY OTHER INFORMATION CONTAINED IN CONNECTION HEREWITH IS TO BE CONSIDERED PROPERTY OF TICO MANUFACTURING AND IS NOT TO BE REPRODUCED OR TRANSMITTED IN ANY FORM OR BY ANY MEANS, ELECTRONIC OR MECHANICAL, INCLUDING PHOTOCOPYING, RECORDING, OR BY ANY INFORMATION STORAGE AND RETRIEVAL SYSTEM, WITHOUT PERMISSION IN WRITING FROM TICO MANUFACTURING.				
SIZE	D	DWG. NO.	721095 BATTERY BOX ASSEMBLY		REV
SCALE	1:20	WEIGHT			SHEET 1 OF 1

721095 BATTERY BOX ASSEMBLY

TICO PRO-SPOTTER

BATTERY & WIRING, QSB-IV, 2016 OFF ROAD, 2-730 CCA BATTERY, STD BACK UP ALARM, DELCO, 116" WB, SPLIT FLOODS, GALV

721095

ITEM	PART #	QTY/M	DESCRIPTION	
	71404A	REF	ASSEMBLY, BATTERY & WIRING - ISB -DOT	
1	200338	1	BATTERY BOX ASSS'Y, 2015-ISB/QSB-IV, GALV	
2	80196	4	BOLT, HEX 10-32 x 1 Lg HOLDER to BAT BOX	
3	80232	4	WASHER, FLAT #10	
4	80209	4	LOCKNUT, 10-32	
5	12070	1	BRACKET, BATTERY STOP	
6	91814	2	BATTERY-31 SERIES, 730 CCA, 12V	
7	20075	2	BATTERY HOLD DOWN	
8	20012	4	ASSEMBLY, J-BOLT	
9	20012-1	4	J-BOLT x 1/4-20 - BATTERY HOLD DOWN	
10	80129	4	WASHER, FENDER 1/4-20	
11	85023	4	NUT, NYLOCK 1/4-20	
12	20077	4	COUPLING, EYE 1/4-20	
13	20012-4	4	WASHER, .25 x 1.25 x .88 GRAY PLASTIC	
14	85111	8	WASHER, FLAT 1/4	
15	82381	4	BOLT, HEX 1/4-20 X 1-1/4	
16	85133	4	LOCKWASHER, 1/4	
17	90114	3	GROMMET	
18	40210-2	2	RUBBER MAT	
NS	12817	6	PLATE- CLAMP ADAPTER	
NS	12815	8	PLATE- CLAMP ADAPTER	
NS	85133	4	LOCKWASHER, 1/4	
19	91250	1	BACKUP ALARM ASSEMBLY, STANDARD, VELVAC	
NS	62167	1	HARNESS - BACKUP ALARM	
NS	80129	2	WASHER, FENDER 1/4-20 x 1 1/4 OD	
NS	85111	2	WASHER, FLAT 1/4	
NS	85133	2	LOCKWASHER, 1/4	
NS	85023	2	NUT, HEX NYLOK 1/4-20	
20	90843	1	CABLE - 3/0 RED BATTERY JUMPER 8.75"LG	
21	90844	1	CABLE - 3/0 BLK BATTERY JUMPER 8.75" LG	
NS	910325	1	CABLE - 3/0 RED BATTERY to STARTER 48" LG	
NS	90837	1	CABLE - 3/0 BLK BATTERY to STARTER 65.5" LG	
NS	91525	1	CABLE - 3/0 RED BATTERY to PDC 41-1/2" LG	
NS	910326	1	CABLE - 3/0 BLK BATTERY to PDC 51" LG	
NS	90877	1	CABLE - 1/0 RED LIFT PUMP to PDC 52 WIRE	
REV	DATE	BY		SHEET
A	06/18/2020	AGW		1 OF 2

TICO PRO-SPOTTER

BATTERY & WIRING, QSB-IV, 2016 OFF ROAD, 2-730 CCA BATTERY, STD BACK UP ALARM, DELCO, 116" WB, SPLIT FLOODS, GALV

721095

ITEM	PART #	QTY/M	DESCRIPTION	
22	90957	2	BATTERY BUSS BAR	
23	62407	1	HARNESS - PDC-CHASSIS TIER IV FINAL	
24	90207	1	HORN, ELECTRIC	
25	62265	1	BRACKET - C, FRAME WIRING STANDOFF	
NS	620547	1	HARNESS-TIER IV FINAL CAB PDC, SEPARATE W/L, CNTR REVERSE, AUX PWR	
NS	61558	1	WIRE HARNESS - CAB POWER	
NS	61521	1	HARNESS - CAB ACC. (1 FANS/DOME LGT)	
NS	620497-2	1	HARNESS - EXTERIOR LIGHTING, SEPARATE WORKLIGHTS, BRAIDED	
NS	61535	1	HARNESS - TAIL LIGHTS 116" WB	
NS	91171	1	HARNESS - AIR INTAKE HEATER to PDC, QSB4 & ISB13	
NS	620544-1	REF	HARNESS - CAB BAR 65-72" DOOR, SEPARATE WORK LIGHTS, ISB 16	
NS	40801	1	WIRE- 6GA-CAB TILT PUMP TO SWITCH	
NS	91132	1	HARNESS-CAB GND	
NS	910327	1	HARNESS - CHASSIS PDC TO FRAME	
NS	91268	4	SHRINK TUBING-2" ID, 6" LONG	
NS	91938	1	COVER ASSEMBLY, PDC WITH SPRAY SUPPRESSANT	
NS	61597	1	SPACER	
NS	85113	4	WASHER, FLAT 3/8	
NS	85136	1	LOCKNUT 3/8-16	
NS	85135	1	LOCKWASHER 3/8	
NS	90870	14	RELAY	
NS	91021	1	FUSE 5A - F17	
NS	91023	3	FUSE 10A - F4/F15/F19	
NS	91025	15	FUSE 20A - F2/F3/F5/F7/F8/F9/F10/F14/F18/F20	
NS	91027	1	FUSE 30A - F6	
NS	20012-4	2	WASHER-PLASTIC BATTERY HOLD DOWN	
NS	91889	36 IN	RUBBER, TRIM EDGE, HOT MELT ADHESIVE	
REV	DATE	BY		SHEET
A	06/18/2020	AGW		2 OF 2