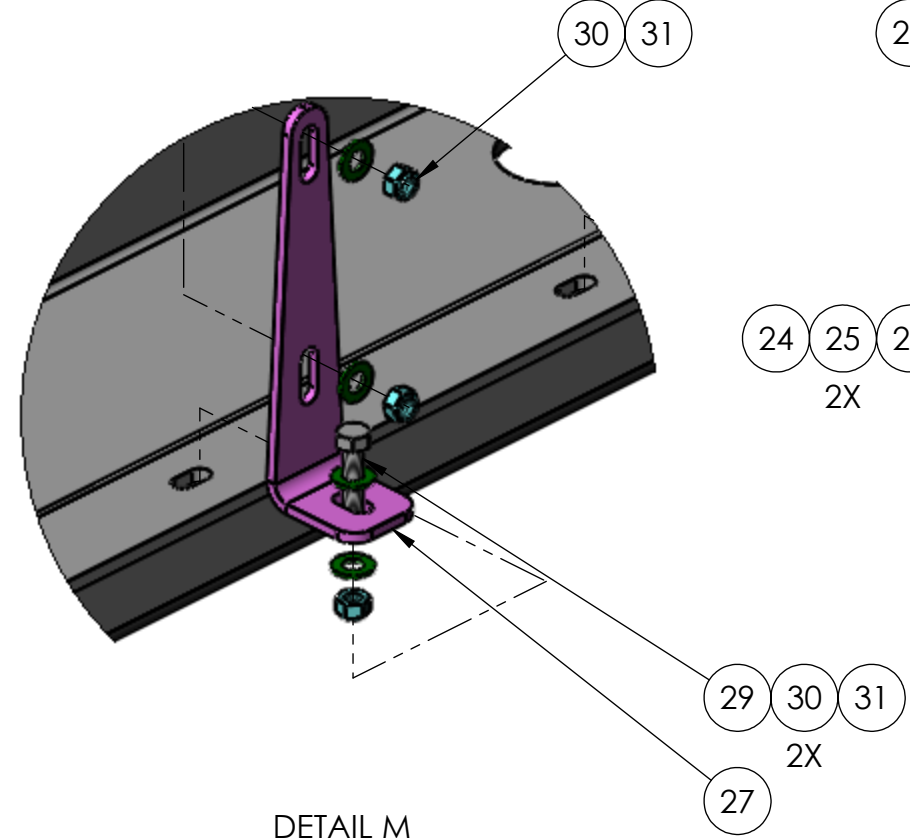
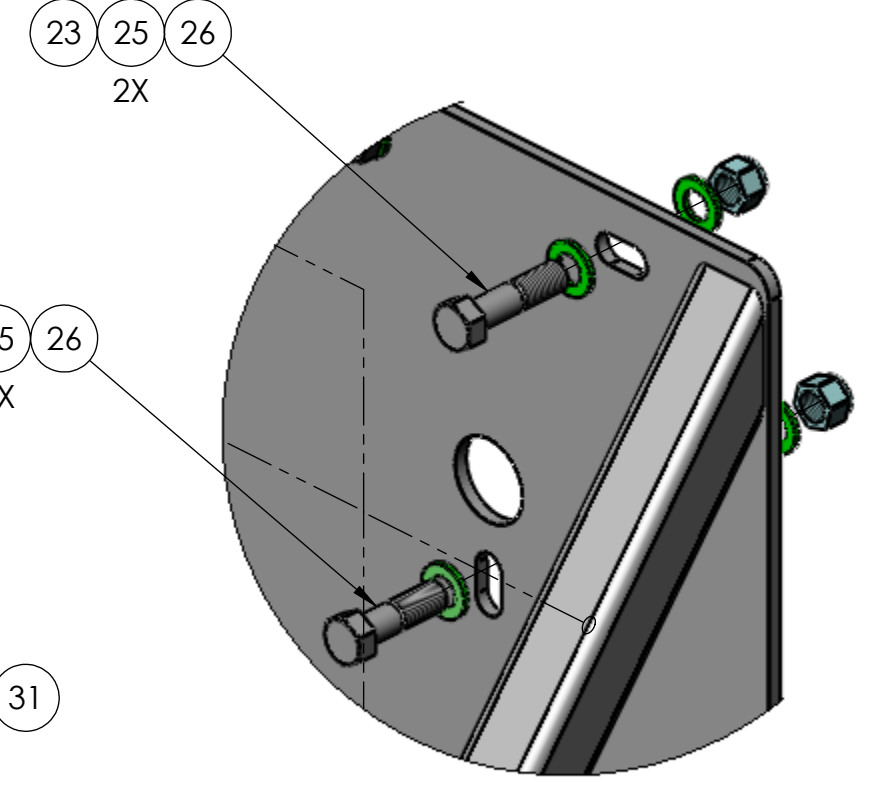


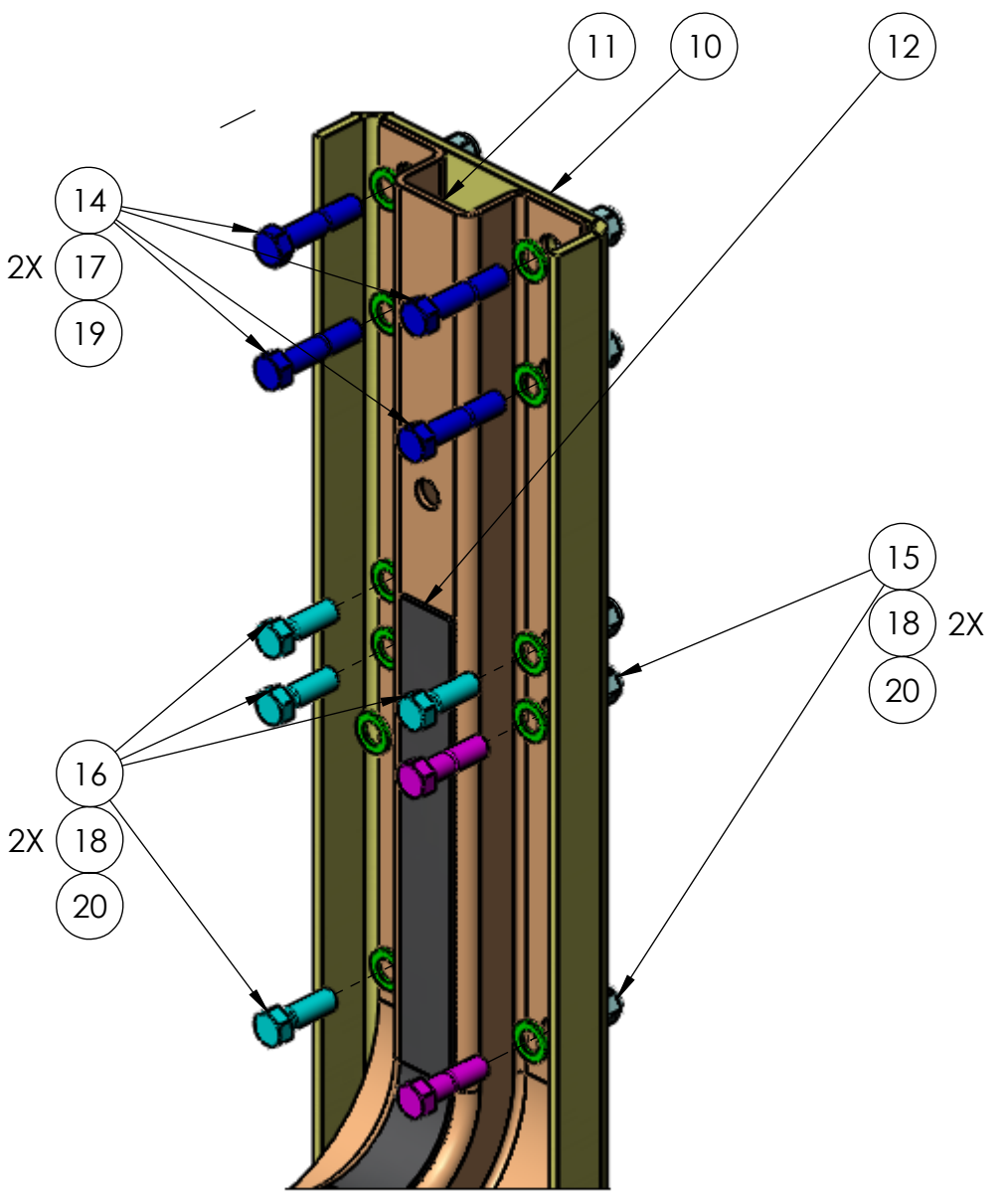
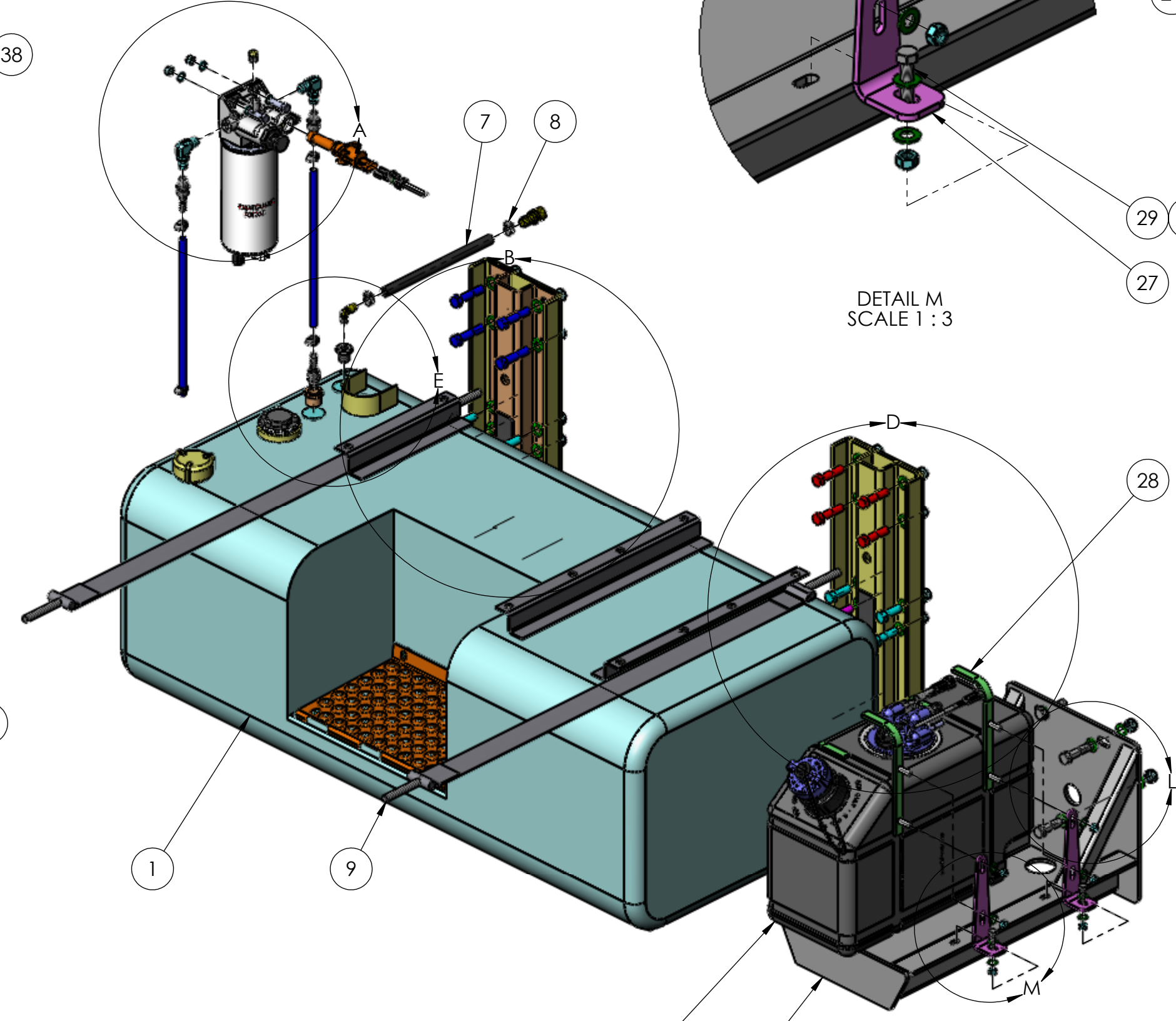
DETAIL A  
SCALE 1 : 4



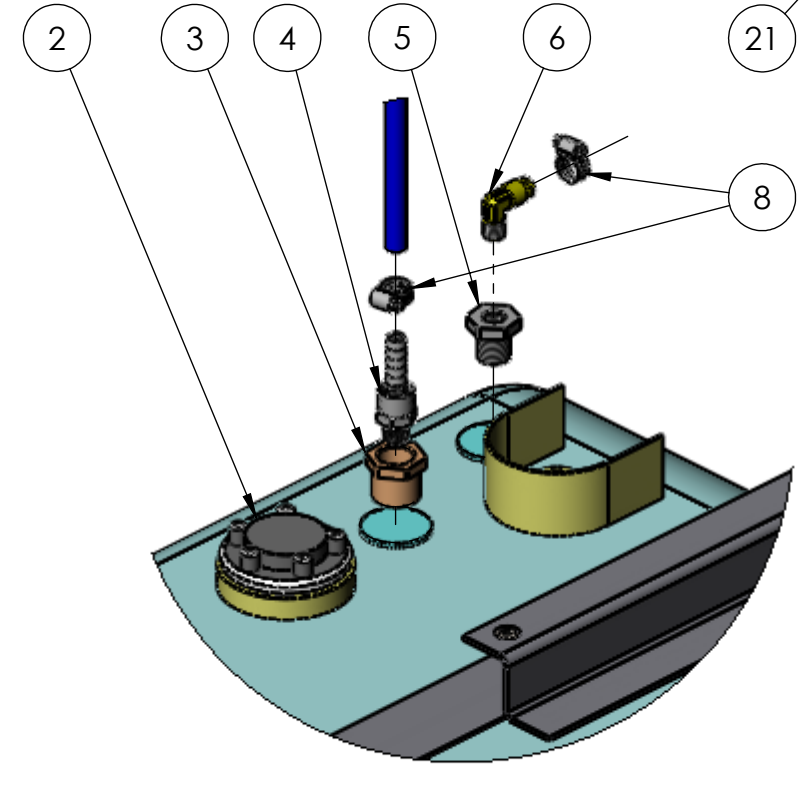
DETAIL M  
SCALE 1 : 3



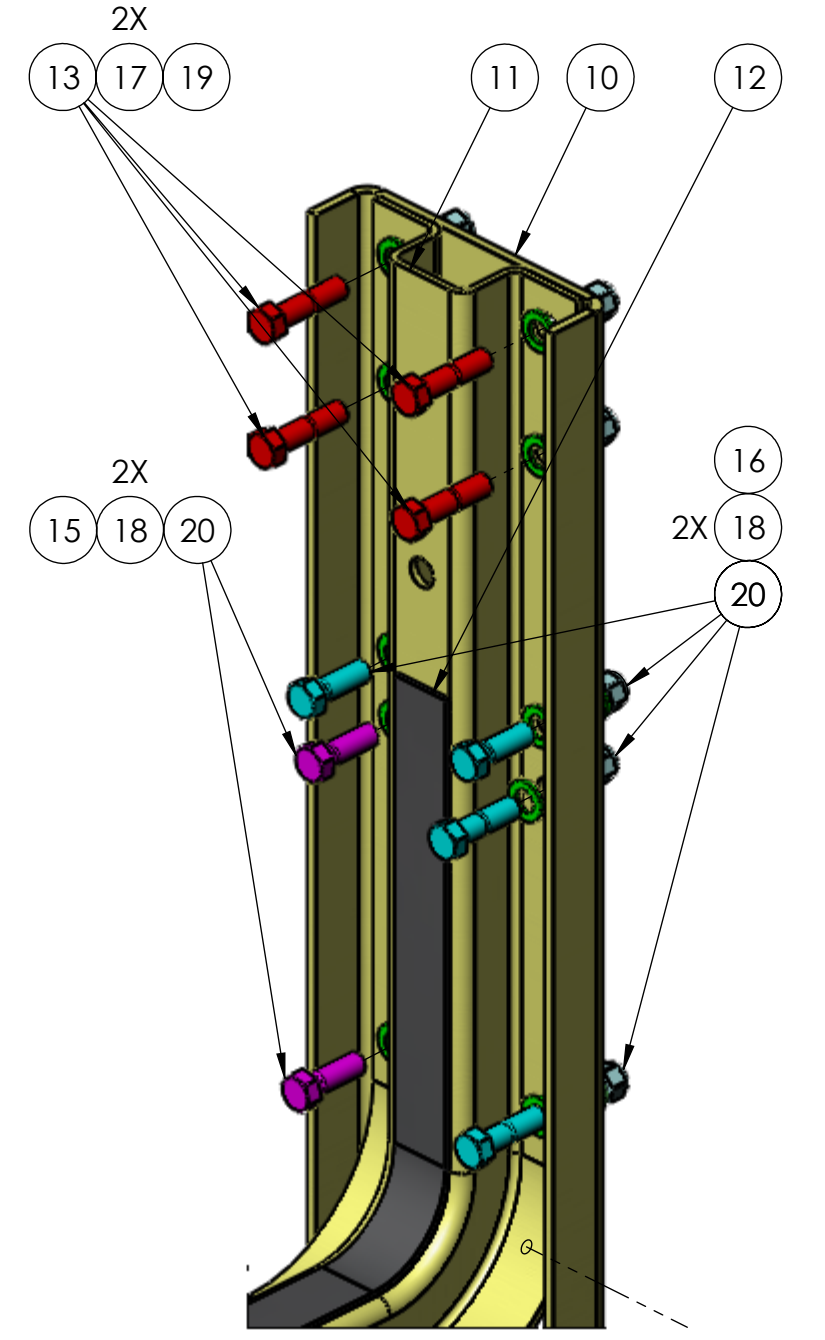
DETAIL L  
SCALE 1 : 3



DETAIL B  
SCALE 1 : 4



DETAIL E  
SCALE 1 : 4



DETAIL D  
SCALE 1 : 4

DIMENSIONS ARE IN INCHES		NAME	DATE	TICO/TERMINAL SERVICE 66 CYPRESS RIDGE DR. RIDGELAND, SC 29936 (843) 717-2226
TOLERANCES:		DRAWN	MPC 02/22/2017	
DECIMAL:		CHECKED		
X.X ± 0.06 X.XX ± 0.03 X.XXX ± 0.005 ANGULAR: ± 0.5° FRACTIONAL: ± 1/32"		APPROVED		TITLE: ASSEMBLY, FUEL TANK & SYSTEM, 65 GALLON
INTERPRET GEOMETRIC TOLERANCING PER: ASME 14.5M-1994		DO NOT SCALE DRAWING		SIZE DWG. NO. REV
MATERIAL		THE SUBJECT MATTER SHOWN AND DESCRIBED IN THIS DRAWING AND ANY OTHER INFORMATION ADVANCED IN CONNECTION THEREWITH, IS PROPRIETARY PROPERTY AND IS TO BE HELD IN STRICT CONFIDENCE BY YOU. ALL RIGHTS TO ANY INVENTIONS, DESIGNS, TRADE MARKS, TRADE NAMES AND COPYRIGHTS DISCLOSED ARE RESERVED TO TICO TERMINAL SERVICES, INC.		C 721068-B1
FINISH				SCALE: 1:48 WEIGHT: SHEET 1 OF 1
THICKNESS				

TICO PRO-SPOTTER				
			ASSEMBLY, FUEL TANK & SYSTEM, 65 GALLON	721068
ITEM	PART #	QTY/M	DESCRIPTION	
	721068-B1	REF	ASSEMBLY, FUEL TANK & SYSTEM, 65 GALLON	
	61001	REF	FILTER, FUEL, PRIMARY (FF5632 FURN WITH ENGINE)	
1	20289	1	TANK, FUEL, 65 GALLON	
2	20169	1	SENDER FUEL, 240-33 OHM, NO-FLOAT	
3	42053	1	FITTING, REDUCER, BRASS, 3/4 NPT TO 3/8 NPT (SUPPLY)	
4	42136	2	FITTING, HOSE, 90°, BRASS, 3/8 BARB TO 3/8 NPT (SUPPLY)	
5	42090	1	FITTING, REDUCER, BRASS, 1/2 NPT TO 1/4 NPT (RETURN)	
6	42191	1	FITTING, HOSE, 90°, BRASS, 5/16 BARB TO 1/4 NPT (RETURN)	
7	41214	32 IN	HOSE, FUEL, 3/8" (SAE 30R9)	
8	24110	2	CLAMP, HOSE, WORM GEAR, 1/4 TO 5/8	
9	20179	2	HOLDING STRAP, FUEL TANK	
10	12406	2	CHANNEL BRACKET, FUEL TANK	
11	20175	2	MOUNT BRACKET, FUEL TANK	
12	20171	2	PAD, RUBBER, FUEL TANK BRACKET, 1/8 X 1 1/2	
13	82419	4	BOLT, HEX HEAD, 5/8-11 X 2 LONG	
14	82397	4	BOLT, HEX HEAD, 5/8-11 X 1 1/2 LONG	
15	82407	4	BOLT, HEX HEAD, 1/2-13 X 1 3/4 LONG	
16	82385	8	BOLT, HEX HEAD, 1/2-13 X 1 1/4 LONG	
17	85094	16	WASHER, FLAT, 5/8-11	
18	85093	24	WASHER, FLAT, 1/2-13	
19	85028	8	LOCKNUT, NYLON, 5/8-11	
20	85027	12	LOCKNUT, NYLON, 1/2-13	
21	62433	1	DEF TANK, QUALITY SENSOR & J1939 MONITOR	
22	121157	1	ASSEMBLY, MOUNT, DEF TANK	
NOT SHOWN	121158	1	SPACER, DEF TANK MOUNT	
NOT SHOWN	20086-7	1	COVER, DEF TANK	
NOT SHOWN	20087	3	GROMMET	
23	82418	2	BOLT, HEX HEAD, 1/2-13 X 2 LONG	
24	82407	1	BOLT, HEX HEAD, 1/2-13 X 3/4 LONG	
25	85093	6	WASHER, FLAT, 1/2-13	
26	85027	3	LOCKNUT, NYLON, 1/2-13	
27	20086-5	4	BRACKET, DEF TANK	
28	20086-4	4	ASSEMBLY, BAR, FLAT	
NOT SHOWN	20086-2	1	VALVE, CONTROL, COOLANT	
29	82382	4	BOLT, HEX HEAD, 5/16-18 X 1 1/4 LONG	
30	85090	16	WASHER, FLAT, 5/16-18	
31	85024	12	LOCKNUT, NYLON, 5/16-18	
<b>REV</b>	<b>DATE</b>	<b>BY</b>		<b>SHEET</b>
B	02/22/2017	MPC		1 OF 2
<b>TICO MANUFACTURING - RIDGELAND, SC 29936</b>				

TICO PRO-SPOTTER				
			ASSEMBLY, FUEL TANK & SYSTEM, 65 GALLON	721068
ITEM	PART #	QTY/M	DESCRIPTION	
32	620588	1	FILTER FUEL/WATER SEPARATOR	
33	620587	1	FILTER, HEAD, TIER IV FINAL	
NOT SHOWN	620589	1	STICK, HEATER	
NOT SHOWN	61672	1	HARNES, FUEL FILTER	
34	620590	1	PLUG, PORT, FUEL FILTER	
35	82394	2	BOLT, HEX HEAD, 3/8-16 X 1 1/2 LONG	
36	85091	8	WASHER, FLAT, 3/8-16	
37	85025	4	LOCKNUT, NYLON, 3/8-16	
38	40811	30 IN	HOSE, FUEL, 3/8" (SAE 30R9)	
39	24110	2	CLAMP, HOSE, WORM GEAR, 1/4 TO 5/8	
40	42146	2	FITTING, HOSE, STRAIGHT, 3/8 BARB X #6 JIC	
41	42141	2	ADAPTER, 90°, 14MM O RING X #6 JIC	
NOT SHOWN	42289	2	HOSE, SUCTION, HEATED, 2 METER (DEF TANK)	
NOT SHOWN	42290	1	HOSE, PRESSURE, HEATED, 3 METER (DEF TANK)	
NOT SHOWN	40774	2	FITTING, TEE, COOLING (DEF TANK)	
NOT SHOWN	41178	62 IN	HOSE, SILICONE, 5/8" (ENGINE TO TEE FEED)	
NOT SHOWN	41178	81 IN	HOSE, SILICONE, 5/8" (DEF TANK TO TEE RET)	
NOT SHOWN	41178	55 IN	HOSE, SILICONE, 5/8" (TEE TO ENG RET)	
NOT SHOWN	41178	29.5"	HOSE - SILICONE - TEE TO FLOW VALVE FEED, 5/8	
NOT SHOWN	41178	44"	HOSE - SILICONE - FLOW VALVE TO DEF TANK FEED, 5/8	
NOT SHOWN	41158	123 IN	HOSE, COOLANT, 3/8" (SAE20R3D2, TEE TO REACT FEED)	
NOT SHOWN	41158	88 IN	HOSE, COOLANT, 3/8" (SAE20R3D2, REACT TO TEE RET)	
NOT SHOWN	41159	1	FITTING, STRAIGHT, COOLANT, SAFE LOCK	
NOT SHOWN	41160	1	FITTING, ELBOW, 90°, COOLANT, SAFE LOCK	
NOT SHOWN	42148	10	CLAMP, HOSE, 7/16 TO 1	
NOT SHOWN	24110	8	CLAMP, HOSE, 1/4 TO 5/8	
NOT SHOWN	40596	8	P-CLAMP, 5/8"	
NOT SHOWN	61883	4	BRACKET, STANDOFF	
NOT SHOWN	620477	3	BRACKET, HOSES, REACTOR	
NOT SHOWN	12668	1	BRACKET, FLAT, HOSES, REACTOR	
NOT SHOWN	82371	8	BOLT, HEX HEAD, 5/16-18 X 1 LONG	
NOT SHOWN	85090	16	WASHER, FLAT, 5/16-18	
NOT SHOWN	85024	8	LOCKNUT, NYLON, 5/16-18	
NOT SHOWN	42269	1	FITTING, HOSE, PUSH ON, 3/8 (FUEL INLET)	
NOT SHOWN	42269-1	1	SEAL, WASHER, FUEL INLET	
<b>REV</b>	<b>DATE</b>	<b>BY</b>		<b>SHEET</b>
B	02/22/2017	MPC		2 OF 2