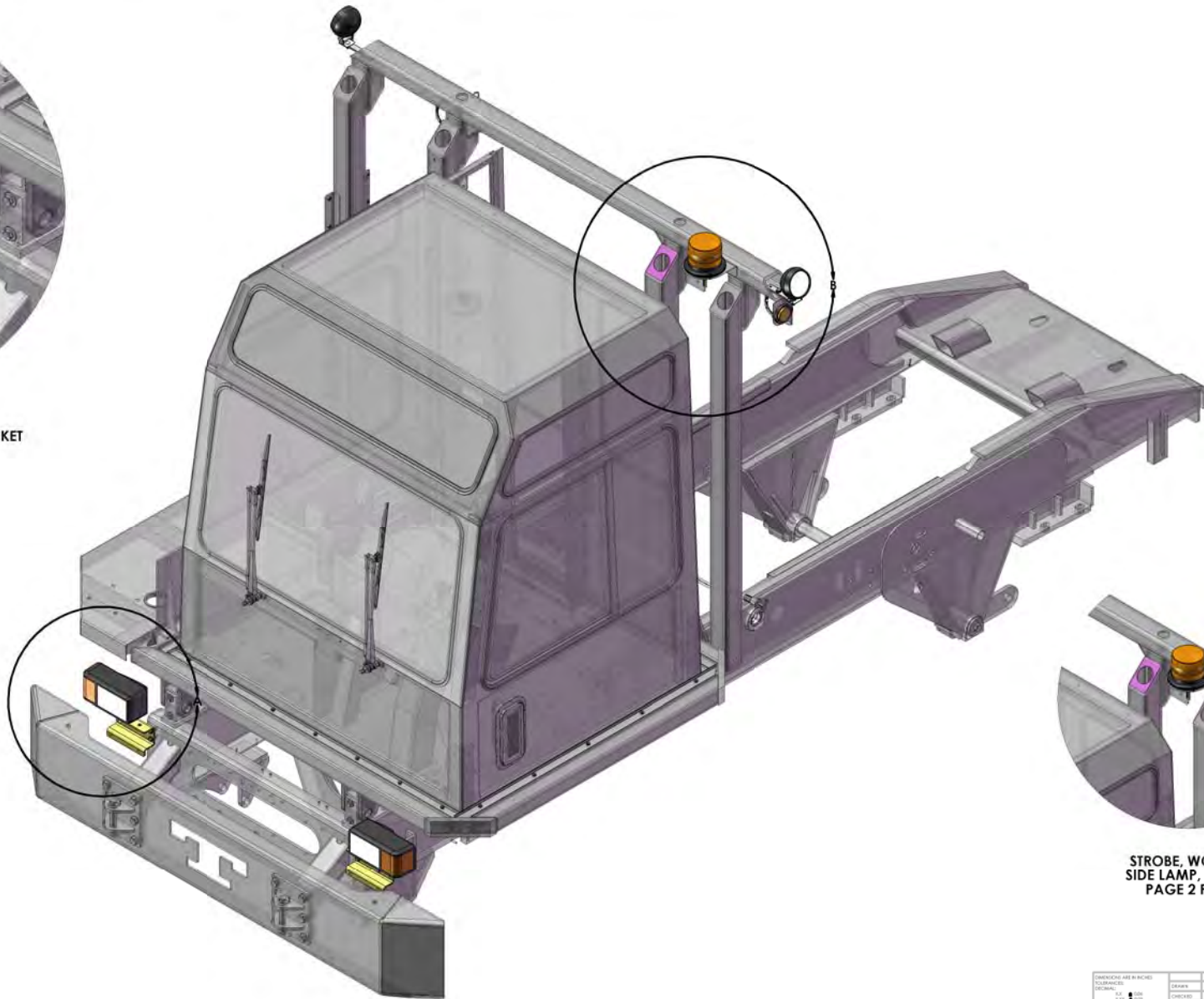


HEAD LAMP, MOUNTING BRACKET  
PAGE 2 FIGURE A

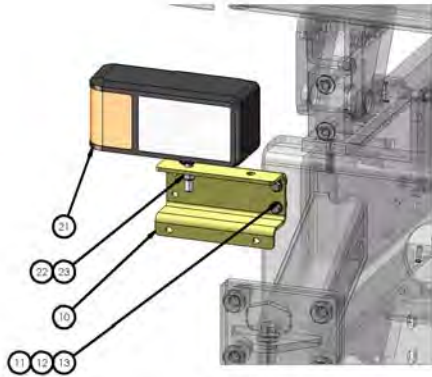


STROBE, WORK LAMP,  
SIDE LAMP, STOP LAMP  
PAGE 2 FIGURE B

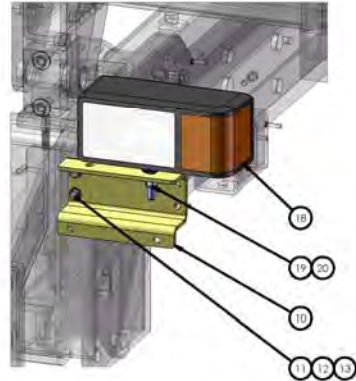
REVISED	DATE	BY	CHKD	APP'D
1	05/20/14	DAKWA	MAL	
2				
3				
4				
5				
6				
7				
8				
9				
10				
11				
12				
13				
14				
15				
16				
17				
18				
19				
20				
21				
22				
23				
24				
25				
26				
27				
28				
29				
30				
31				
32				
33				
34				
35				
36				
37				
38				
39				
40				
41				
42				
43				
44				
45				
46				
47				
48				
49				
50				
51				
52				
53				
54				
55				
56				
57				
58				
59				
60				
61				
62				
63				
64				
65				
66				
67				
68				
69				
70				
71				
72				
73				
74				
75				
76				
77				
78				
79				
80				
81				
82				
83				
84				
85				
86				
87				
88				
89				
90				
91				
92				
93				
94				
95				
96				
97				
98				
99				
100				

721067-A1

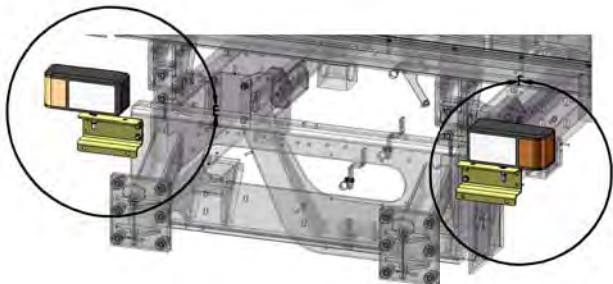
DESIGNED BY: B. H. BROWN	NAME: MAL	DATE: 5/20/14		TICO MANUFACTURING 400 CLEVELAND ST. W. RICHFIELD, OH 44153 (848) 717-2200
DRAWN BY: MAL	CHECKED BY: MAL	APP'D BY: MAL		
REVISIONS:	DO NOT SCALE DRAWING	THE DRAWING IS THE PROPERTY OF TICO MANUFACTURING AND IS TO BE USED ONLY FOR THE PURPOSES SPECIFIED HEREIN. IT IS TO BE KEPT IN THE ORIGINAL FILED WITH THE DRAWING. IT IS TO BE KEPT IN THE ORIGINAL FILED WITH THE DRAWING. IT IS TO BE KEPT IN THE ORIGINAL FILED WITH THE DRAWING.		
TITLE: LIGHTS & MOUNTING-12V	SHEET: D	DWG. NO.: 721067-A1	REV: 1	REV: 1
SCALE: 1:32	WEIGHT: 5954.0	SHEET 1 OF 2		



RIGHT HAND HEADLIGHT



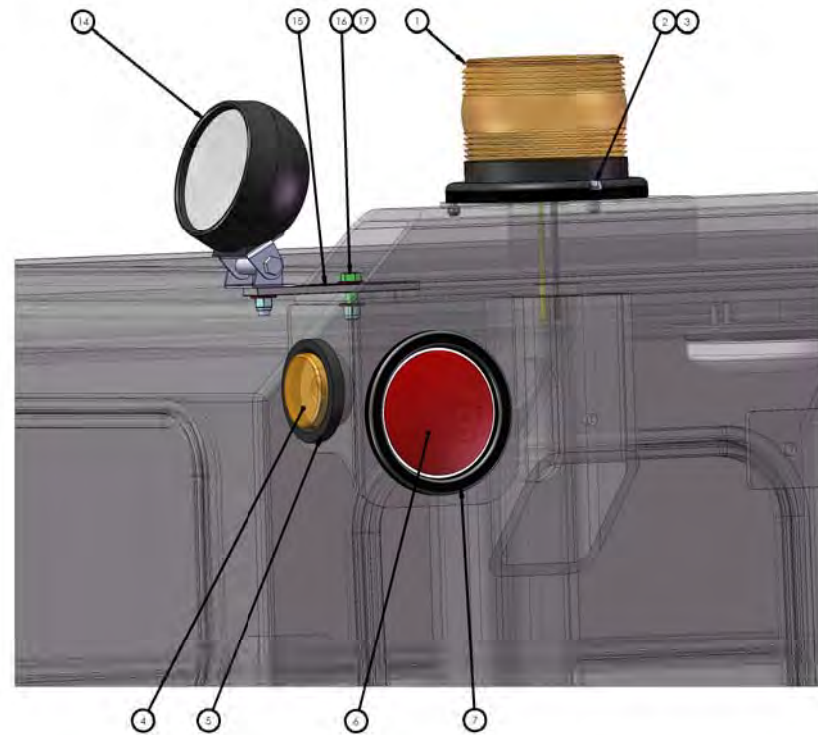
LEFT HAND HEADLIGHT



HEADLAMPS



DOME LIGHT



STROBE, FLOODLIGHTS, STOP, & SIDE LAMPS

		<small>TECHNICAL SERVICE AN O'CONNOR GROUP COMPANY 800.445.4453 WWW.TMC.COM</small>
TITLE: LIGHTS & MOUNTING-12V		DIV. NO. 721067-A1
D	REV	SCALE: 1:30 WEIGHT: 5954.0 SHEET 2 OF 2

D 721067-A1

**TICO PRO-SPOTTER**

**LIGHTS & MOUNTING-12V, 2015-ISB, QSB-IV, 65" 4 LED FLOODS-EXTENDED**

**721067**

ITEM	PART #	QTY/M	DESCRIPTION	
	721067-A1	REF	LIGHTS & MOUNTING-12V, 2015-ISB, QSB-IV, 65" 4 LED FLOODS-EXTENDED	
	62067	REF	WIRE HARNESS-65" CAB GUARD EXTERIOR LIGHTS, SEALED	
	91804	REF	WIRE HARNESS-72" CAB GUARD EXTERIOR LIGHTS, SEALED	
1	91319	1	STROBE LIGHT ASS'Y, LED, TRUCKLITE	
2	80209	3	LOCKNUT, #10-32	
3	80196	3	SCREW, P H 10-32 x 1" LG	
4	91561	2	LIGHT-SIDE MARKER 2-1/2" DIA - AMBER LED	
5	40157-4	2	GROMMET-LIGHT 2-1/2" DIA	
6	40156-1	2	LIGHT-STOP/TAIL/TURN RED 4' DIA	
7	40156-2	2	GROMMET-LIGHT 4" DIA	
8	91215	1	DOME LIGHT-LED	
9	80196	3	SCREW, P H 10-32 x 1" LG	
10	920017	2	BRACKET - HEADLIGHT, FORMED	
11	82394	4	BOLT, HEX 3/8-16 x 1 1/2" LG	
12	85113	8	WASHER, FLAT 3/8	
13	85025	4	LOCKNUT - NYLOCK, 3/8-16	
14	91216	4	LIGHT, WORK 12V LED FLOOD	
15	50185	2	BAR-LIGHT EXTENSION	
16	82383	2	BOLT, HEX 3/8-16 x 1 1/4" LG	
17	85113	4	WASHER, FLAT 3/8	
	85025	REF	LOCKNUT, 3/8-16 NYLOCK	
18	920018	1	ASSY - LH HEAD LAMP, HAMSAR, LED TURN SIGNAL	
	920018-1	REF	BULB, HIGH/LOW BEAM, HAMSAR LIGHT	
	920028	REF	BULB, LED AMBER, 360° CONFIGURATION, HAMSAR	
19	85104	1	WASHER, 1/2 THRU HARDENED	
20	85027	1	NUT, NYLOCK, 1/2-13, GRD 8	
21	920022	1	ASSY - RH HEAD LAMP, HAMSAR, LED TURN SIGNAL	
	920018-1	REF	BULB, HIGH/LOW BEAM, HAMSAR LIGHT	
	920028	REF	BULB, LED AMBER, 360° CONFIGURATION, HAMSAR	
22	85104	1	WASHER, 1/2 THRU HARDENED	
23	85027	1	NUT, NYLOCK, 1/2-13, GRD 8	
NOT SHOWN	91685	1	FLASHER, LED SOLID STATE	
<b>REV</b>	<b>DATE</b>	<b>BY</b>		<b>SHEET</b>
A	5/4/2017	MAL		1 OF 1