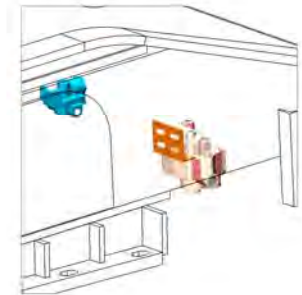


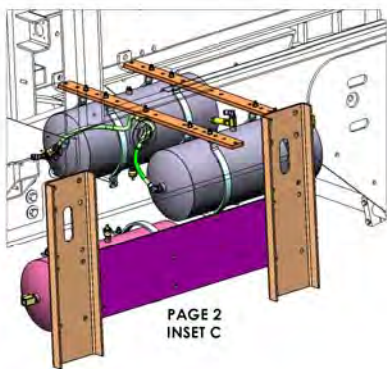
PAGE 2
INSET A



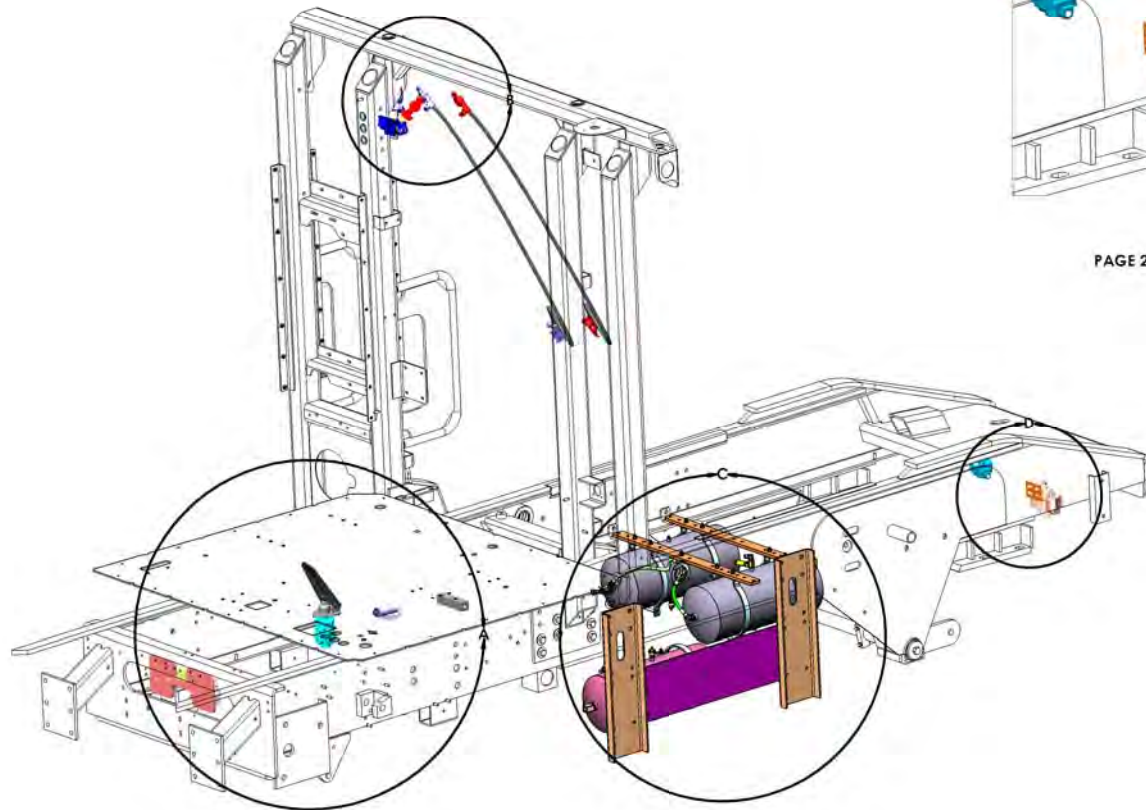
PAGE 2 INSET D



PAGE 2
INSET B

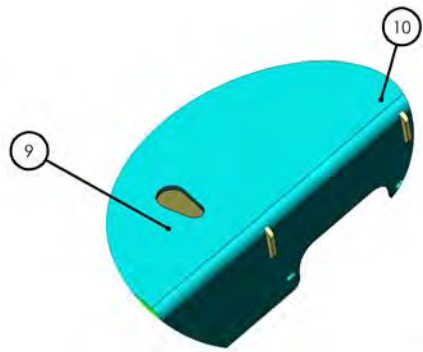
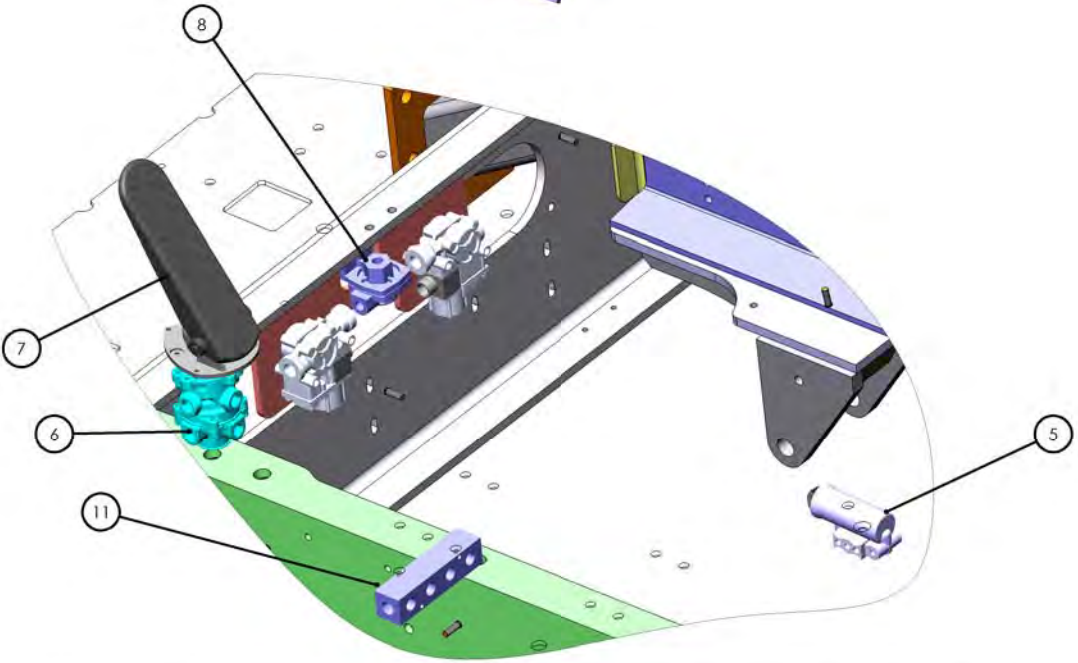
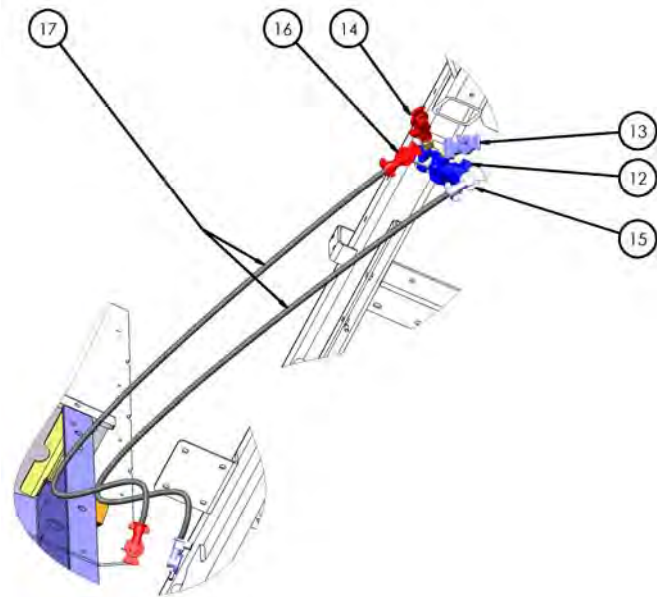
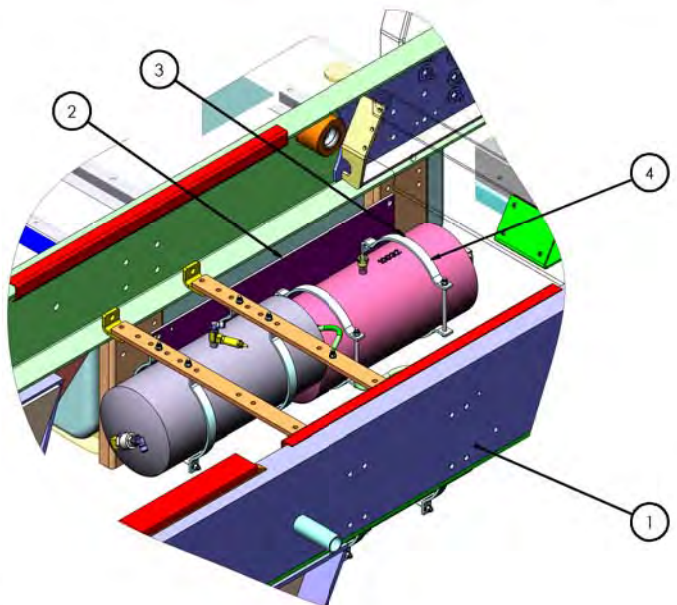


PAGE 2
INSET C



DESIGNED AND DRAWN	NAME	DATE	 TICCO TERMINAL SERVICE AN O'CONNOR ROUSE CO. DIV. 8445 717 200A
DRAWN	NAME	DATE	
CHECKED			TITLE: AIR SYSTEM, 2015, DOT-121
APPROVED			
ANGULAR DIMENSIONS	DO NOT SCALE DRAWING		THE SUBJECT MATTER herein AND THE INFORMATION CONTAINED hereon AND ANY INFORMATION CONTAINED hereon IS TO BE USED ONLY FOR THE PURPOSES SPECIFIED HEREIN. ALL RIGHTS TO ANY PATENTS, TRADE SECRETS, PROPRIETARY INFORMATION AND/OR OTHER INTELLECTUAL PROPERTY RIGHTS ARE RESERVED BY TICCO TERMINAL SERVICE.
ASSEMBLY DIMENSIONS	DO NOT SCALE DRAWING		
REVISION			SIZE [DWG. NO.] REV D 720968-C1
SCALE: 1:32	WEIGHT:	SHEET 1 OF 1	

D 720968-C1

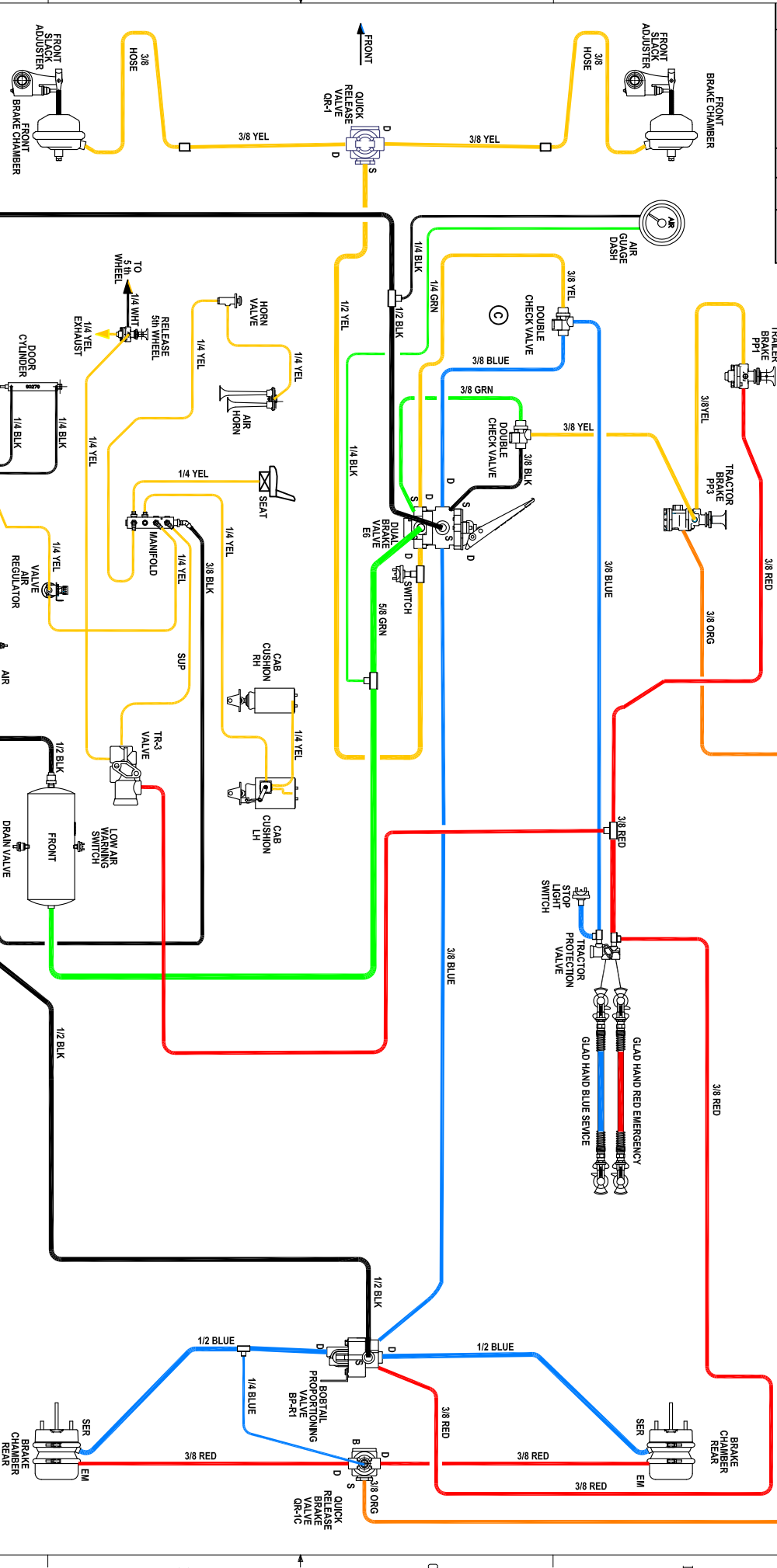


REV	DATE	BY	CHKD	APP'D	DESCRIPTION
1					ISSUED FOR MANUFACTURE

PROJECT NO.	720968-C1
TITLE	AIR SYSTEM-2015, DOT-121
SCALE	1:30
WEIGHT	
SHEET	1 OF 1

D PROJECT PAGE 2

REV	DESCRIPTION	ECN	DATE	APPROVED
A	PRODUCTION RELEASE	1592	3/13/15	



TITLE: AIR SCHEMATIC	
5TH WHL RELEASE INHIBIT	
SIZE: DWG. NO. 62459	REV A
SCALE: 1/10	WEIGHT:
SHEET 1 OF 1	

DATE	WMC	DRWN	CHKD
3-13-15			
DO NOT SCALE DRAWING			
APPROVED			

THE SUBJECT MATTER SHOWN AND ANY OTHER INFORMATION CONTAINED HEREIN IS THE PROPERTY OF IICO AND IS TO BE KEPT CONFIDENTIAL AND NOT TO BE REPRODUCED OR TRANSMITTED IN ANY FORM OR BY ANY MEANS, ELECTRONIC OR MECHANICAL, INCLUDING PHOTOCOPYING, RECORDING, OR BY ANY INFORMATION STORAGE AND RETRIEVAL SYSTEM. IICO SERVICES, INC.

8 7 6 5 4 3 2 1

8 7 6 5 4 3 2 1

8 7 6 5 4 3 2 1

8 7 6 5 4 3 2 1

TICO PRO-SPOTTER				
AIR SYSTEM-2015, DOT-121, 3 TANK, MV3, ABS, CAST IRON, NO FRAME DRAIN VALVE				721063
ITEM	PART #	QTY/M	DESCRIPTION	
	71315A	REF	AIR SYSTEM INSTALLATION	
	61769	REF	SCHEMATIC- DOT-121, ABS, MV3	
	40866	REF	AIR RESERVOIR ASSEMBLY	
		REF	NOTE: SET AIR GOVERNOR AT 120 PSI	
1	42087	1	ASSEMBLY, AIR TANK, TWO TANKS	
NS	12357	2	SUPPORT BAR, AIR TANK	
NS	10032	2	RESERVOIR, AIR-10	
NS	40393-1	8	BRACKET- AIR RESERVOIR MOUNT	
NS	82394	9	BOLT, HEX 3/8-16 X 1 1/2 Lg	
NS	85102	26	WASHER, 3/8	
NS	85025	13	LOCKNUT, NYLOCK 3/8-16	
NS	82603	4	BOLT, HEX 3/8-16 X 6 1/2 Lg	
NS	40022	1	VALVE, AIR PRESSURE RELEASE	
NS	40148	1	VALVE AIR TANK DRAIN	
NS	40832	1	PUSH CONNECT, BRASS STR 1/2 MPT to 1/2 TUBE	
NS	42064	2	PUSH CONNECT, 90 Deg 1/2 MPT to 1/2 TUBE	
NS	40900	1	TEE, BRASS STREET - 1/4 NPT	
NS	40822	1	PUSH CONNECT, 45 Deg 1/2 MPT x 1/2 TUBE	
NS	40824	1	PLUG, HEX HD 1/4" NPT	
NS	40826	1	CLAMP, LOOM 1/2"	
NS	40029-1	1	VALVE CHECK AIRTANK (NEWTYLE)	
NS	42063	2	PUSH CONNECT, 90 Deg 1/4 MPT to 3/8 TUBE	
NS	40817	1	ELBOW, 90 Deg STREET 1/2 NPT TO 1/2 FPT	
NS	40848	1	TEE, BRASS STREET 1/2 NPT	
NS	41076	1	TUBE, 1/2x 20" Lg	
NS	82394	4	BOLT, HEX 3/8-16x 1 1/2 Lg	
NS	85102	8	WASHER, FLAT 3/8	
NS	85025	4	LOCKNUT 3/8-16 NYLOK	
2	12336	1	PLATE-RESERVOIR MOUNTING	
NS	82385	4	BOLT, HEX 1/2-13 x 1 1/4 Lg	
NS	85115	8	WASHER, FLAT 1/2	
NS	85027	4	LOCKNUT, 1/2-13	
3	10032	1	RESERVOIR, AIR	
4	40393-1	4	BRACKET- AIR RESERVOIR MOUNT	
NS	42265	1	FITTING, ELBOW 90°, BRASS 1/2 TUBE X 1/2 NPT	
NS	40029-1	1	CHECK VALVE, AIR TANK	
NS	40148	1	VALVE, AIR TANK DRAIN	
5	60023	1	GOVERNOR-D2 W/GASKET & 3 PLUGS	
NS	80308	2	CAPSCREW-M8 X 1.25 X 70 LG	
NS	85134	2	L'WASHER-5/16	
NS	40857	3	FITTING, ELBOW 90°, BRASS 1/4 TUBE X 1/8 NPT	
REV	DATE	BY		SHEET
A	06/23/2020	AGW		1 OF 4

TICO PRO-SPOTTER				
AIR SYSTEM-2015, DOT-121, 3 TANK, MV3, ABS, CAST IRON, NO FRAME DRAIN VALVE				721063
ITEM	PART #	QTY/M	DESCRIPTION	
6	40547	1	VALVE-DUAL BRAKE, E-6	
7	90026	1	TREADLE-BRAKE	
NS	82360	3	BOLT-5/16 X 3/4	
NS	82371	3	BOLT-5/16 X 1	
NS	40821	2	FITTING, TEE-STREET BRASS, 3/8 NPT	
NS	40884	1	FITTING ELBOW 90° BRASS, 5/8 TUBE to 3/8 NPT	
NS	40874	2	FITTING, REDUCER-BRASS, 3/8 NPT X 1/4 NPTF	
NS	40881	2	FITTING, ELBOW, BRASS 45° 1/4 TUBE X 1/4 NPT	
NS	40819	2	FITTING, ELBOW 90° BRASS, 1/2 TUBE X 3/8 NPT	
NS	40823	5	FITTING, ELBOW 90° BRASS, 3/8 TUBE X 3/8 NPT	
NS	91236	1	SWITCH- DUAL CIRCUIT NO-NC 4 PSI SET PRESS	
NS	40813	1	FITTING, REDUCER BUSHING, BRASS 1/4 NPT-1/8NPT	
8	40550	1	VALVE-BRAKE QUICK RELEASE QR-1	
NS	81546	2	CAPSCREW-5/16-18NC X 1 1/4LG	
NS	85101	2	WASHER, FLAT5/16	
NS	85024	2	LOCKNUT, 5/16-18 NYLOK	
NS	40864	2	FITTING, STR BRASS 3/8 TUBE, 3/8NPT	
NS	42064	1	FITTING, ELBOW 90°, BRASS 1/2 TUBE, 1/2NPT	
9	40572	1	VALVE-BOBTAIL/PROPORTIONING BP-R1 W/BACKET	
NS	81535	2	BOLT-5/16 X 1	
NS	85090	4	WASHER-5/16	
NS	85035	2	NUT-5/16	
NS	40830	1	FITTING, ELBOW 45°, BRASS, 1/2 TUBE X 1/2 NPT	
NS	42064	2	FITTING, ELBOW 90°, BRASS 3/8 TUBE to 1/2 NPT, SWIVEL	
NS	42063	1	FITTING, ELBOW 90°, BRASS, 3/8 TUBE to 1/4 NPT	
NS	42112	1	FITTING, ELBOW 90°, BRASS, 3/8 TUBE to 1/8 NPT	
NS	80163	1	FITTING, PLUG ALLEN, BRASS 1/2" NPT	
NS	40841	1	FITTING, PLUG ALLEN, BRASS 3/8" NPT	
NS	40840	1	FITTING, ELBOW 90°, BRASS, 3/8 TUBE to 1/8 NPT	
10	10592	1	VALVE-BRAKE QUICK RELEASE QR-1C	
NS	81546	2	CAPSCREW-5/16-18NC X 1 1/4LG	
NS	85024	2	LOCKNUT-5/16	
NS	40864	1	FITTING-STR BRASS 3/8 TUBE X 3/8 NPT	
NS	40823	1	FITTING-90° BRASS 3/8 TUBE X 3/8 NPT	
NS	42063	1	FITTING-90° BRASS 3/8 TUBE X 1/4 NPT	
NS	40857	1	FITTING-90° BRASS 1/4 TUBE X 1/4 NPT	
REV	DATE	BY		SHEET
A	06/23/2020	AGW		2 OF 4

TICO PRO-SPOTTER

AIR SYSTEM-2015, DOT-121, 3 TANK, MV3, ABS, CAST IRON, NO FRAME DRAIN VALVE

721063

ITEM	PART #	QTY/M	DESCRIPTION	
11	10949	1	MANIFOLD-ASS'Y AIR	
NS	82201	2	CAPSCREW-5/16-18 X 3 LG HEX HD	
NS	80232	2	WASHER, FLAT 5/16	
NS	85209	2	LOCKNUT, 5/16-18	
NS	42133	1	FITTING, ELBOW 45° BRASS, 3/8 TUBE X 1/2 NPT, SWIVEL	
NS	42090	1	FITTING, REDUCER BRASS 1/2NPT TO 1/4 NPT	
NS	40833	2	FITTING, STR BRASS, 1/4 TUBE X 3/8 NPT	
NS	40887	3	FITTING, ELBOW 90° BRASS 1/4 TUBE X 3/8 NPT, SWIVEL	
NS	40841	3	FITTING, PIPE PLUG, BRASS HEX 3/8 NPT	
NS	80163	1	FITTING, PIPE PLUG, BRASS HEX 1/2 NPT	
NS	11000	20 ft	TUBING-NYLON AIR BRAKE 1/4 YW	
NS	11020	20 ft	TUBING-NYLON AIR BRAKE 1/4 WH	
NS	11021	20 ft	TUBING-NYLON AIR BRAKE 1/4 BL	
NS	11003	20 ft	TUBING-NYLON AIR BRAKE 1/4 BK	
NS	11007	20 ft	TUBING-NYLON AIR BRAKE 3/8 RD	
NS	11001	20 ft	TUBING-NYLON AIR BRAKE 3/8 BL	
NS	11023	20 ft	TUBING-NYLON AIR BRAKE 3/8 GN	
NS	11026	20 ft	TUBING-NYLON AIR BRAKE 3/8 OR	
NS	11004	20 ft	TUBING-NYLON AIR BRAKE 3/8 BK	
NS	11013	20 ft	TUBING-NYLON AIR BRAKE 3/8 YW	
NS	11005	20 ft	TUBING-NYLON AIR BRAKE 1/2 BK	
NS	11009	20 ft	TUBING-NYLON AIR BRAKE 1/2 BL	
NS	11002	20 ft	TUBING-NYLON AIR BRAKE 1/2 RD	
NS	11014	20 ft	TUBING-NYLON AIR BRAKE 1/2 YW	
NS	11025	20 ft	TUBING-NYLON AIR BRAKE 5/8 BK	
NS	11024	20 ft	TUBING-NYLON AIR BRAKE 5/8 GN	
NS	40829	3	FITTING, BULKHD BRASS-1/4	
NS	40827	4	FITTING, BULKHD BRASS-3/8	
NS	42088	2	FITTING, BULKHD BRASS-1/2	
NS	40895	1	FITTING, TEE BRANCH BRASS, 3/8 TUBE 1/4 NPT	
NS	42121	1	FITTING, TEE BRANCH BRASS, 3/8 TUBE 3/8 NPT	
NS	40823	4	FITTING, ELBOW 90° BRASS, 3/8 TUBE X 3/8 NPT	
NS	42063	1	FITTING, ELBOW 90° BRASS, 3/8 TUBE X 1/4 NPT	
NS	42265	4	FITTING, ELBOW 90° BRASS, 1/2 TUBE X 1/2 NPT	
NS	40878	2	FITTING, ELBOW 90° BRASS, 5/8 TUBE X 1/2 NPT	
NS	50038-3	2	FITTING - HOSE W/ SPRING, 1/2" NPT x 3/8"	
REV	DATE	BY		SHEET
A	06/23/2020	AGW		3 OF 4

