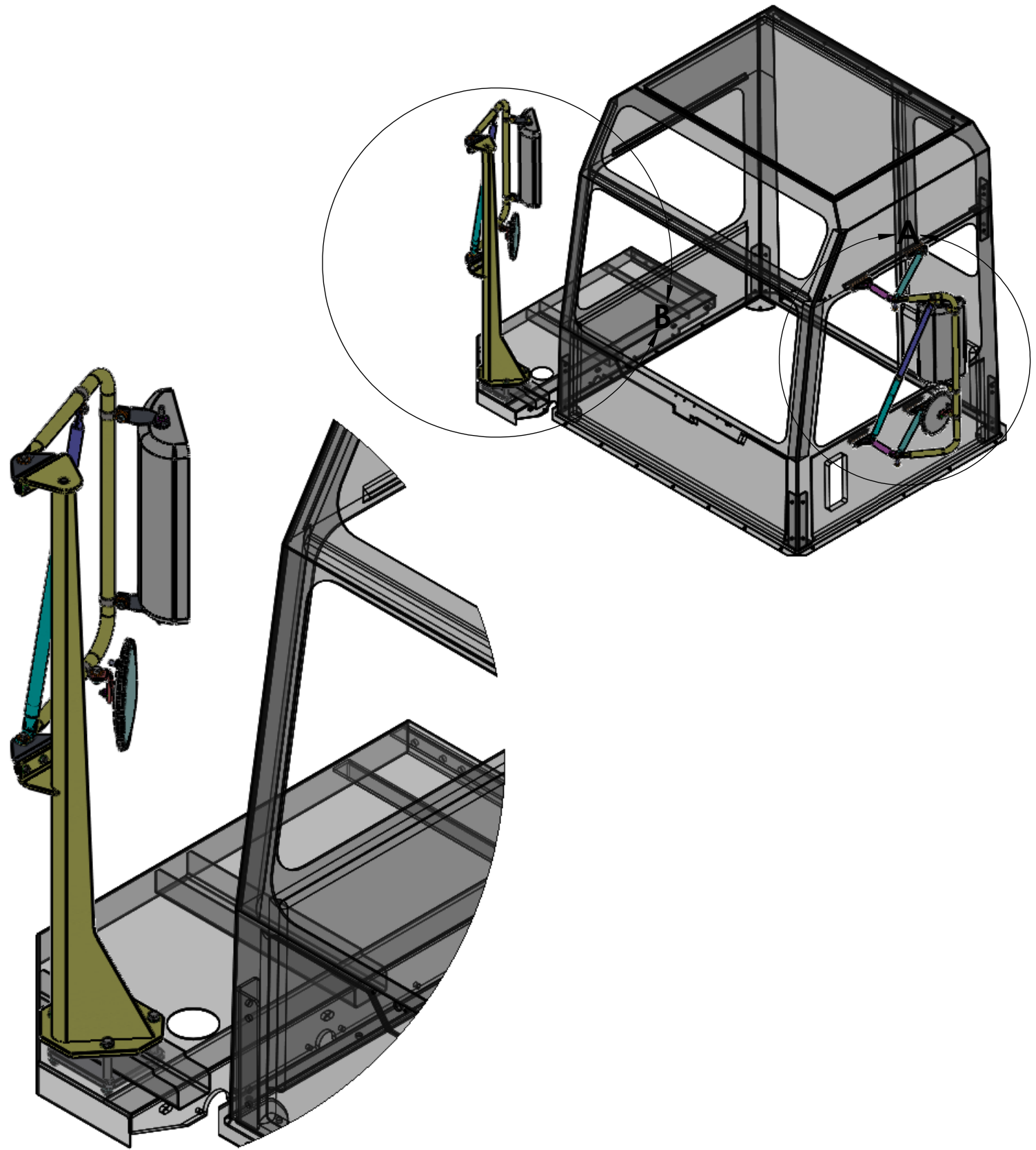


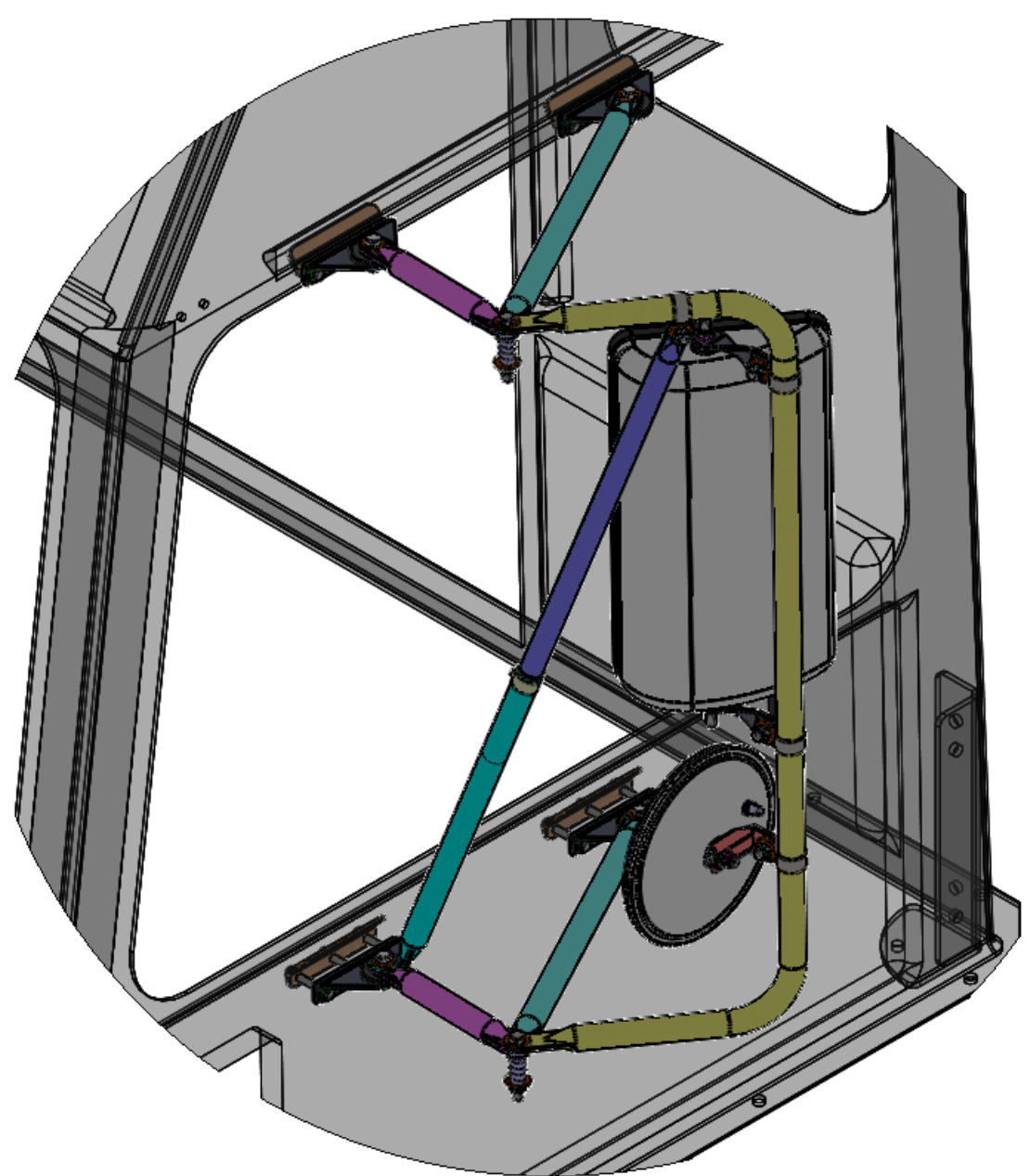
8 7 6 5 4 3 2 1

D
C
B
A


D
C
B
A



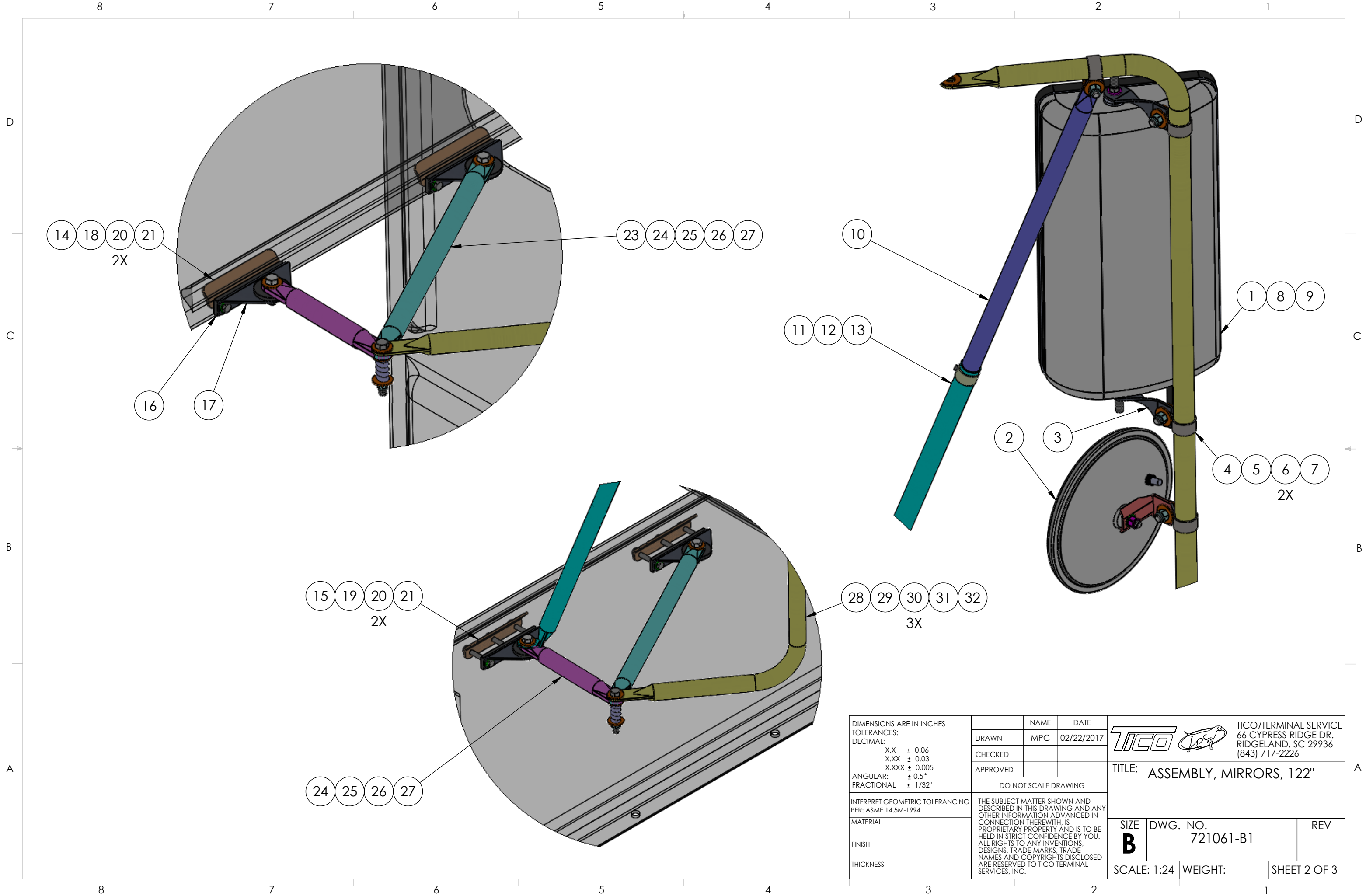
**RIGHT-HAND MIRROR & STANCHION
PAGE 3**



**LEFT-HAND MIRROR & BRACKETS
PAGE 2**

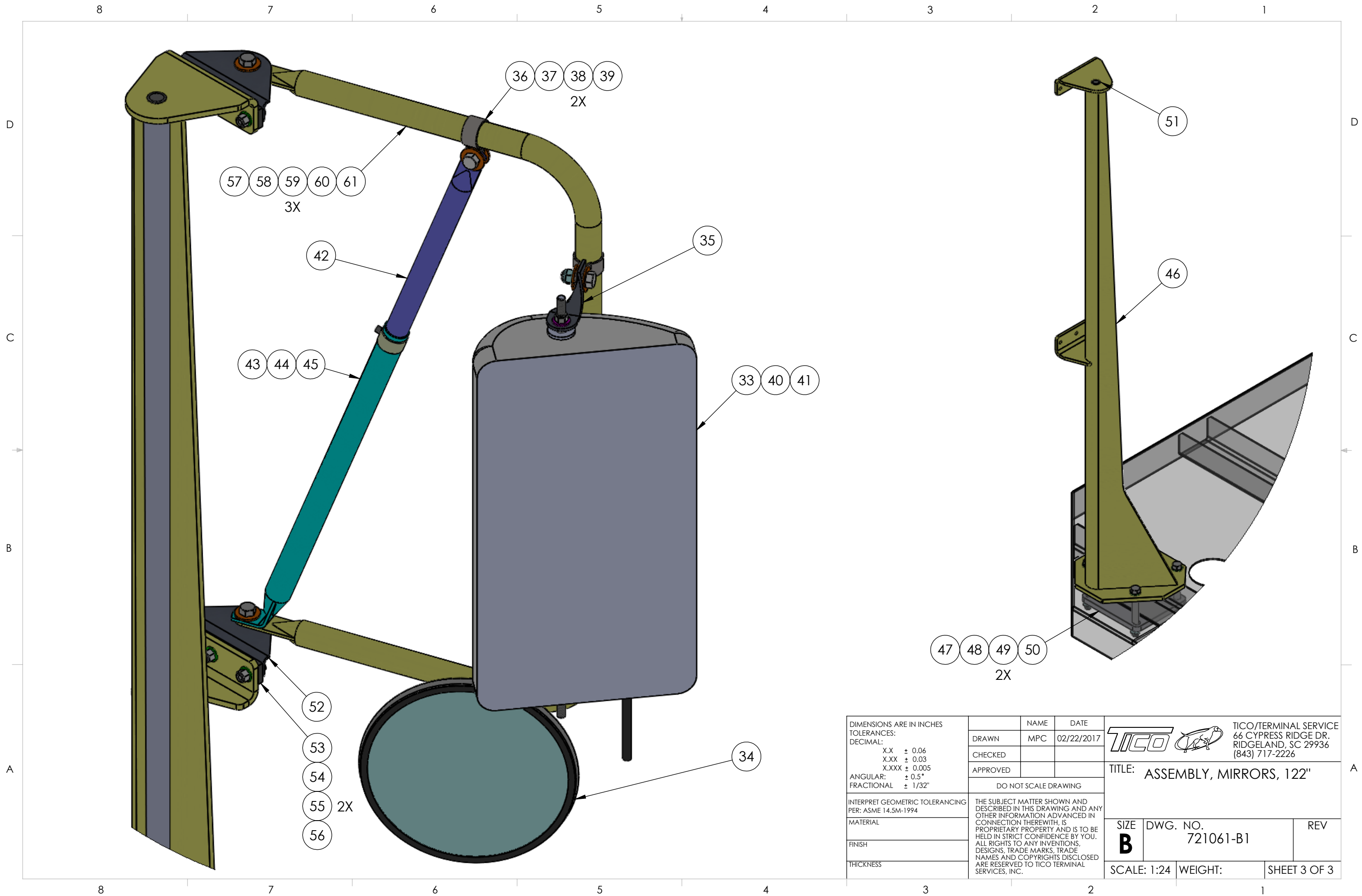
DIMENSIONS ARE IN INCHES		NAME	DATE	 TICO/TERMINAL SERVICE 66 CYPRESS RIDGE DR. RIDGELAND, SC 29936 (843) 717-2226
TOLERANCES:		DRAWN	MPC 02/22/2017	
DECIMAL:		CHECKED		
X.X ± 0.06		APPROVED		TITLE: ASSEMBLY, MIRRORS, 122"
X.XX ± 0.03		DO NOT SCALE DRAWING		
X.XXX ± 0.005				SIZE DWG. NO. REV B 721061-B1
ANGULAR: ± 0.5°				
FRACTIONAL ± 1/32"				SCALE: 1:24 WEIGHT: SHEET 1 OF 3
INTERPRET GEOMETRIC TOLERANCING PER: ASME 14.5M-1994		THE SUBJECT MATTER SHOWN AND DESCRIBED IN THIS DRAWING AND ANY OTHER INFORMATION ADVANCED IN CONNECTION THEREWITH, IS PROPRIETARY PROPERTY AND IS TO BE HELD IN STRICT CONFIDENCE BY YOU. ALL RIGHTS TO ANY INVENTIONS, DESIGNS, TRADE MARKS, TRADE NAMES AND COPYRIGHTS DISCLOSED ARE RESERVED TO TICO TERMINAL SERVICES, INC.		
MATERIAL				
FINISH				
THICKNESS				


8 7 6 5 4 3 2 1



DIMENSIONS ARE IN INCHES		NAME	DATE
TOLERANCES:		DRAWN	MPC 02/22/2017
DECIMAL:		CHECKED	
X.X ± 0.06		APPROVED	
X.XX ± 0.03		DO NOT SCALE DRAWING	
X.XXX ± 0.005		THE SUBJECT MATTER SHOWN AND DESCRIBED IN THIS DRAWING AND ANY OTHER INFORMATION ADVANCED IN CONNECTION THEREWITH, IS PROPRIETARY PROPERTY AND IS TO BE HELD IN STRICT CONFIDENCE BY YOU. ALL RIGHTS TO ANY INVENTIONS, DESIGNS, TRADE MARKS, TRADE NAMES AND COPYRIGHTS DISCLOSED ARE RESERVED TO TICO TERMINAL SERVICES, INC.	
ANGULAR:			
± 0.5°			
FRACTIONAL ± 1/32"			
INTERPRET GEOMETRIC TOLERANCING PER: ASME 14.5M-1994		TITLE: ASSEMBLY, MIRRORS, 122"	
MATERIAL		SIZE	DWG. NO.
FINISH		B	721061-B1
THICKNESS		SCALE: 1:24	WEIGHT:
		REV	
		SHEET 2 OF 3	


 TICO/TERMINAL SERVICE
 66 CYPRESS RIDGE DR.
 RIDGELAND, SC 29936
 (843) 717-2226



DIMENSIONS ARE IN INCHES TOLERANCES: DECIMAL: X.X ± 0.06 X.XX ± 0.03 X.XXX ± 0.005 ANGULAR: ± 0.5° FRACTIONAL ± 1/32"	NAME	DATE	 TICO/TERMINAL SERVICE 66 CYPRESS RIDGE DR. RIDGELAND, SC 29936 (843) 717-2226	
	DRAWN	MPC		02/22/2017
	CHECKED			
	APPROVED			
INTERPRET GEOMETRIC TOLERANCING PER: ASME 14.5M-1994	DO NOT SCALE DRAWING		TITLE: ASSEMBLY, MIRRORS, 122"	
MATERIAL FINISH THICKNESS	THE SUBJECT MATTER SHOWN AND DESCRIBED IN THIS DRAWING AND ANY OTHER INFORMATION ADVANCED IN CONNECTION THEREWITH, IS PROPRIETARY PROPERTY AND IS TO BE HELD IN STRICT CONFIDENCE BY YOU. ALL RIGHTS TO ANY INVENTIONS, DESIGNS, TRADE MARKS, TRADE NAMES AND COPYRIGHTS DISCLOSED ARE RESERVED TO TICO TERMINAL SERVICES, INC.		SIZE B DWG. NO. 721061-B1 REV	
	SCALE: 1:24	WEIGHT:	SHEET 3 OF 3	

TICO PRO-SPOTTER				
S/N:		ASSEMBLY, MIRRORS, 122"		721061
ITEM	PART #	QTY/M	DESCRIPTION	
	721061-B1	REF	ASSEMBLY, MIRRORS, 122"	
	62329	REF	SCHEMATIC, MOTORIZED MIRRORS	
1	50221	1	MIRROR, MANUAL, HEATED, LEFT-HAND	
2	90697	1	MIRROR, CONVEX, HEATED	
3	50240	2	BRACKET, TWISTED	
4	50239	3	CLAMP, 1"	
5	80315	4	BOLT, HEX HEAD, STAINLESS STEEL, 3/8-16 X 1 LONG	
6	80314	6	WASHER, FLAT, STAINLESS STEEL, 3/8	
7	80320	4	LOCKNUT, NYLON, STAINLESS STEEL, 3/8-16	
8	80313	3	WASHER, FLAT, STAINLESS STEEL, 5/16	
9	80319	3	LOCKNUT, NYLON, STAINLESS STEEL, 5/16-18	
10	50254	1	STABILIZER BAR, INNER	
11	50237	1	STABILIZER BAR, OUTER	
12	50255	1	COLLAR, STABLIZER BAR	
13	50256	1	SET SCREW, COLLAR	
14	50241	2	BRACKET, UPPER, MIRROR	
15	50243	2	BRACKET, LOWER, MIRROR	
16	91609	4	ISOLATOR, RUBBER	
17	50238	4	ANGLE MOUNT, MIRROR	
18	80361	6	BOLT, HEX HEAD, STAINLESS STEEL, 1/4-20 X 1 LONG	
19	80340	6	BOLT, HEX HEAD, STAINLESS STEEL, 1/4-20 X 2 LONG	
20	80311	24	WASHER, FLAT, STAINLESS STEEL, 1/4	
21	80360	12	LOCKNUT, NYLON, 1/4-20	
22	50242	2	BRACE, HORIZONTAL, MIRROR, FORWARD	
23	50235	2	BRACE, HORIZONTAL, MIRROR, AFTER	
24	80316	4	BOLT, HEX HEAD, STAINLESS STEEL, 3/8-16 X 1-1/4 LONG	
25	80314	8	WASHER, FLAT, STAINLESS STEEL, 3/8	
26	60857	4	ISOLATOR, RUBBER	
27	80320	2	LOCKNUT, NYLON, STAINLESS STEEL, 3/8-16	
28	50234	1	LOOP, MIRROR, 11"	
29	80318	2	BOLT, HEX HEAD, STAINLESS STEEL, 3/8-16 X 2-3/4 LONG	
30	80314	6	WASHER, FLAT, STAINLESS STEEL, 3/8	
31	50250	2	SPRING, COMPRESSION, STAINLESS STEEL	
32	80320	2	LOCKNUT, NYLON, STAINLESS STEEL, 3/8-16	
NOT SHOWN	90745	1	SWITCH, ROCKER, HEATED MIRROR	
NOT SHOWN	620601	1	HARNESS, MIRROR DIRECTION	
REV	DATE	BY		SHEET
B	02/21/2017	MPC		1 OF 2
TICO MANUFACTURING - RIDGELAND, SC 29936				

