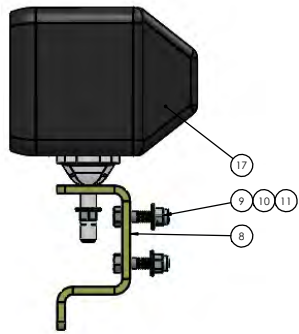
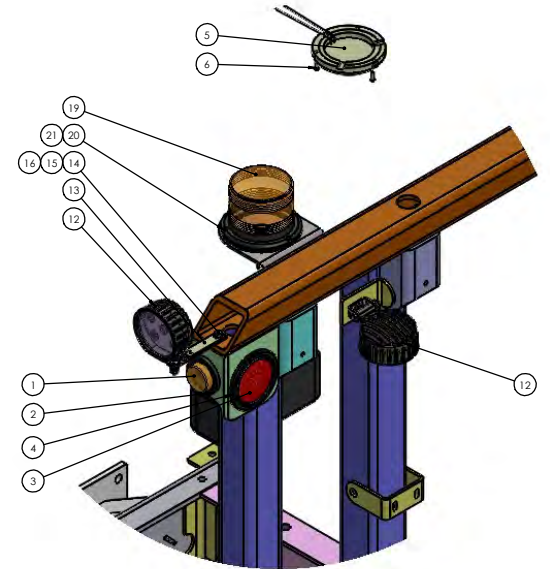
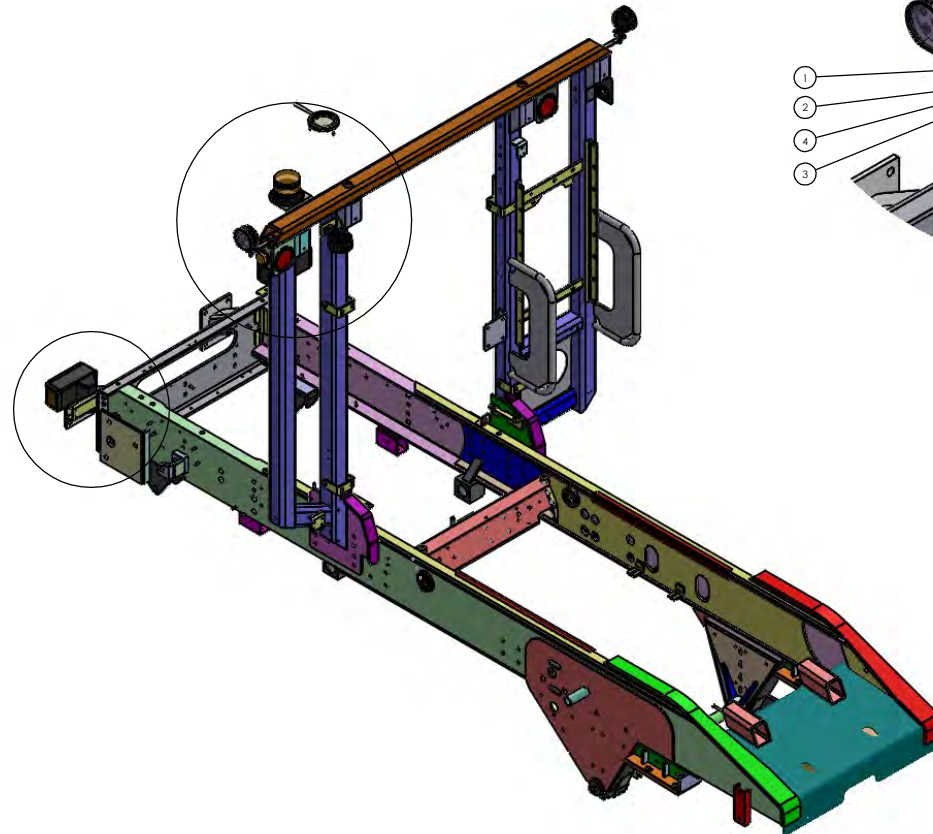


RH HEADLIGHT



LH HEADLIGHT



CAB BAR LIGHT CLUSTER DETAIL VIEW

DIMENSIONS ARE IN INCHES		NAME	DATE	TICO MANUFACTURING
DECIMAL	XXX.XX	BBN	5/26/2020	66 CYPRESS RIDGE DR. ROCKLAND, SC 29551 TICORACTORS.COM
ANGULAR	XX.X			
FRACTIONAL	XX/XX			
INSPECT GEOMETRIC TOLERANCING PER ASME Y14.5M		APPROVED		TITLE: LIGHTS & MOUNTING ASSEMBLY
THE SUBJECT MATTER SHOWN AND DESCRIBED IN THIS DRAWING AND ANY OTHER INFORMATION CONTAINED HEREIN IS THE PROPERTY OF TICO MANUFACTURING, INC. AND IS TO BE USED ONLY FOR THE PURPOSES SPECIFIED HEREIN. ALL RIGHTS TO ANY PATENTS, TRADEMARKS, AND/OR OTHER INTELLECTUAL PROPERTY ARE RESERVED BY TICO MANUFACTURING, INC.		SIZE	DWG. NO.	REV
		D	721060	
		SCALE: 1:24	WEIGHT:	SHEET 1 OF 1

