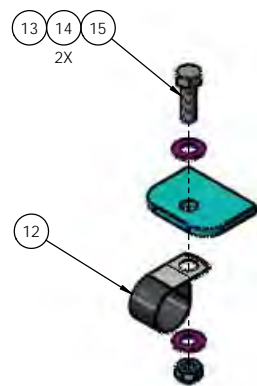
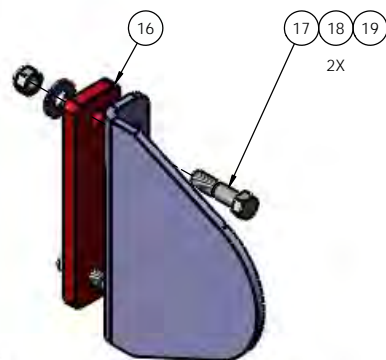


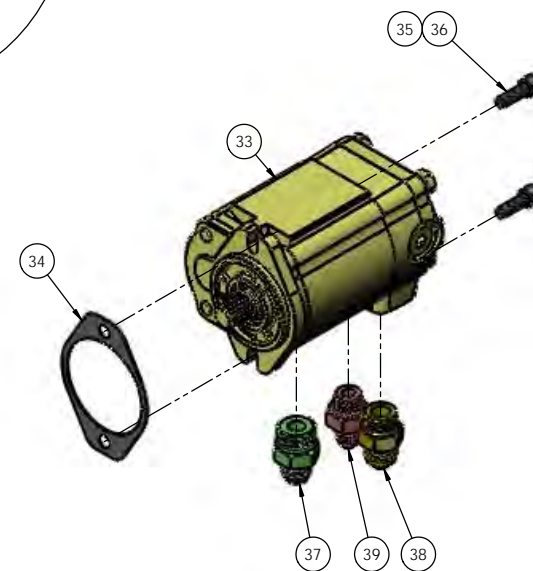
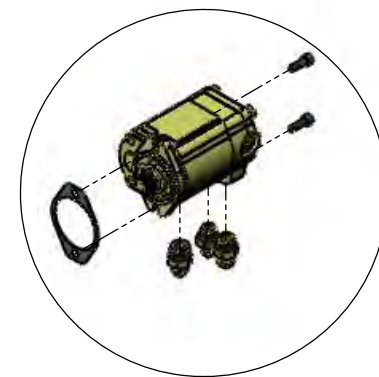
**DETAIL A**  
SCALE 2 : 5.5



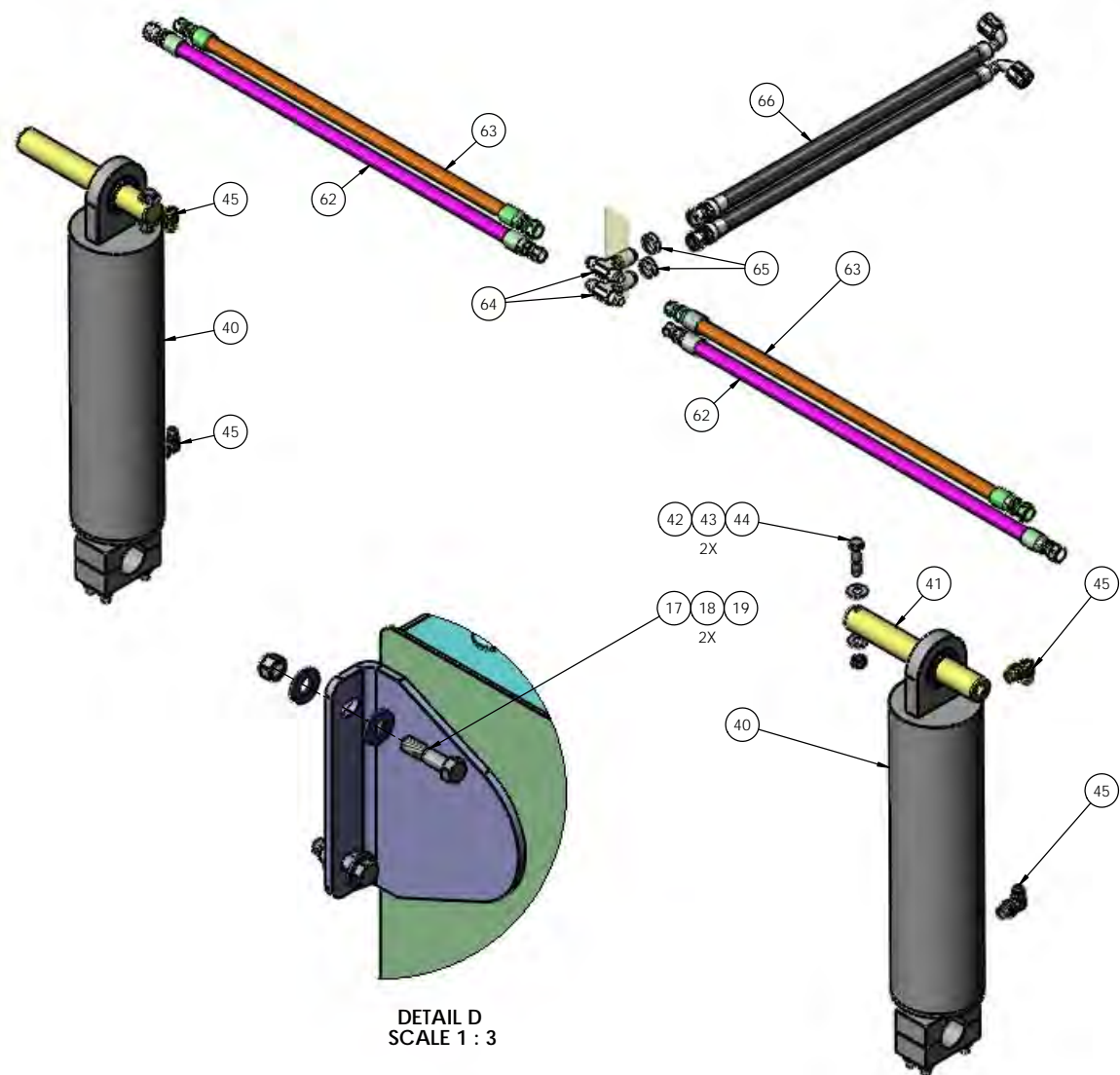
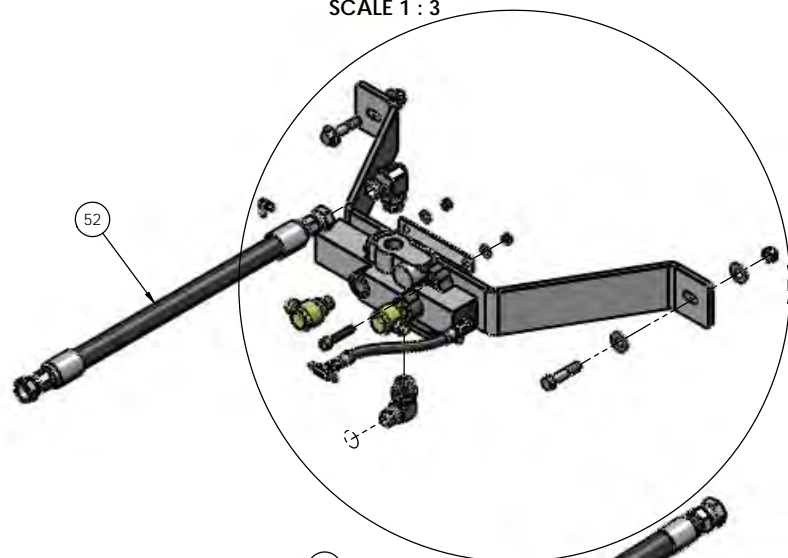
**DETAIL B**  
SCALE 1 : 2



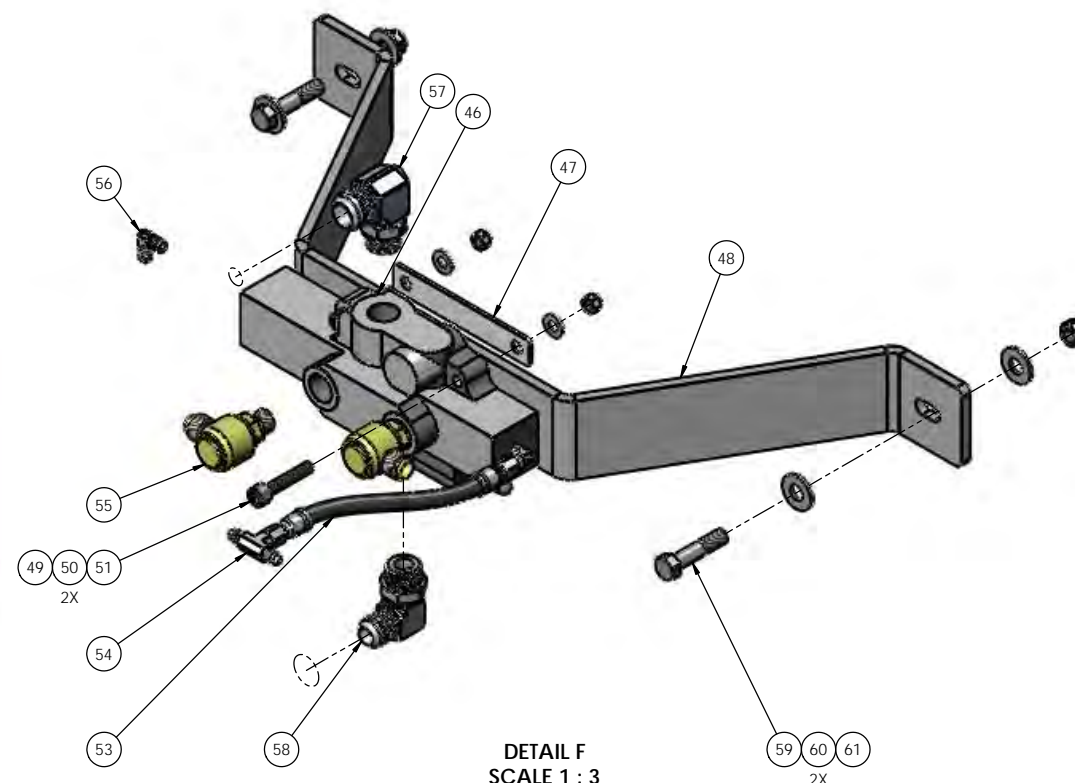
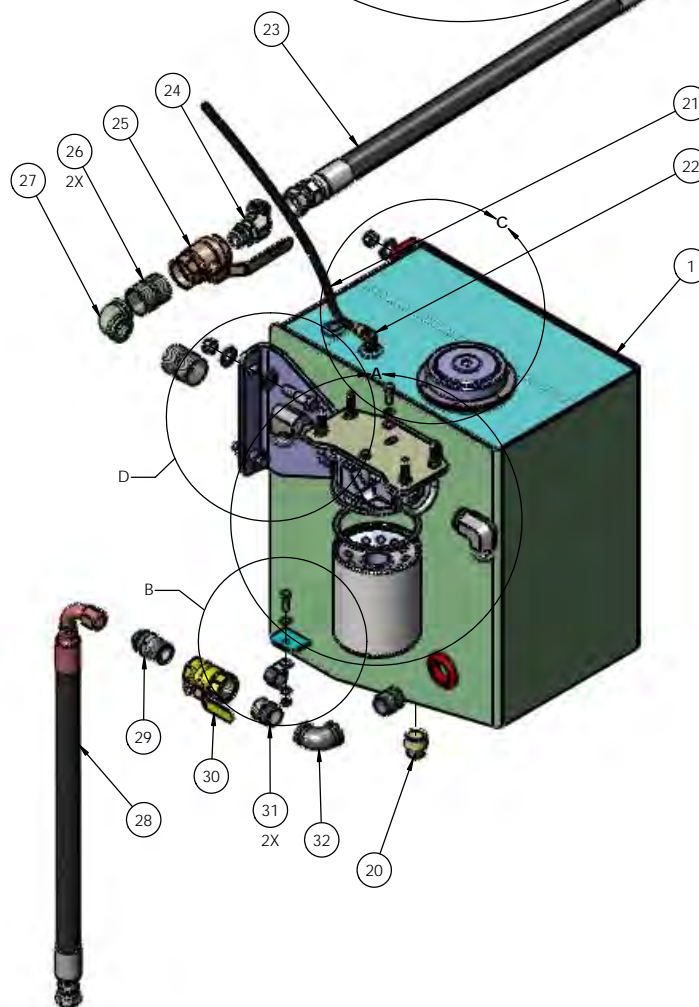
**DETAIL C**  
SCALE 1 : 3



**DETAIL E**  
SCALE 1 : 3



**DETAIL D**  
SCALE 1 : 3



**DETAIL F**  
SCALE 1 : 3

DIMENSIONS ARE IN INCHES TOLERANCES: DECIMAL XX ± 0.06 XXX ± 0.03 XXXX ± 0.005 ANGULAR FRACTIONAL ± 1/32"		NAME DATE DFM 08/11/2015 MPC 08/17/2016	TICO/TERRINAL SERVICE 44 CYPRESS RIDGE DR. RIDGELAND, SC 29936 (843) 717-2226
INTERPRET GEOMETRIC TOLERANCING PER: ASME Y14.5M 1994		DO NOT SCALE DRAWING	TITLE: ASSEMBLY, HYDRAULIC SYSTEM ELECTRIC
FINISH	MATERIAL	SIZE <b>D</b>	DWG. NO. 721053
THICKNESS		REV	SHEET 1 OF 1

TICO PRO-SPOTTER				
HYDRAULIC SYSTEM - ELECTRIC				721053
ITEM	PART #	QTY/M	DESCRIPTION	
1	42098	1	TANK - HYDRAULIC	
2	60556-1	1	FILTER	
3	1026037	1	SEAL	
4	60556-2	1	FILTER HEAD	
5	40963	2	FITTING, ELBOW 90° SYEEL, 1" JIC X 1-1/4 NPT @ FILTER	
6	20100	2	U-BOLT (3/8" DIA x 2" ID x 3-5/8" OAL)	
7	85091	4	WASHER, 3/8" HRDN	
8	85025	4	NUT, 3/8"-16 NYLOK	
9	82371	2	BOLT - HEX 5/16-18 X 1" LG - FILTER TO TANK	
10	85090	2	WASHER - 5/16	
11	85134	2	LOCKWASHER 5/16	
12	40593	1	P, CLAMP	
13	82371	1	BOLT, HEX 5/16-18 X 1" LG	
14	85112	2	WASHER 5/16	
15	85024	1	NUT, NYLOK 5/16-18	
16	30174	1	SPACER - HYDRAULIC TANK	
17	82418	4	BOLT, HEX 1/2-13 X 2 LG	
18	85104	8	FLATWASHER 1/2	
19	85027	2	NUT, NYLOK 1/2-13	
20	40841	3	FITTING, PLUG BRASS, 3/8" NPT, HEX HEAD SOCKET	
21	11004	3 FT	TUBING - NYLON AIR BRAKE BLACK - 3/8" DIA	
22	40823	1	FITTING, ELBOW 90° BRASS, 3/8 TUBE TO 3/8 NPT @ TANK TOP	
23	41278	1	HOSE, H03920, 1-1/4" DIA SUCTION X 85-1/2" HOSE X 90-3/4"OAL	
NS	12469	2	SPACER - 1" LG PIPE	
24	40984	1	FITTING, ELBOW 45° STEEL, 1-1/4 JIC TO 1-1/4 NPT	
25	40218	1	BALL VALVE - 1-1/4 NPTF	
26	40816	1	FITTING, NIPPLE CLOSE STEEL, 1-1/4 NPT (@ TANK)	
27	40805	1	FITTING, ELBOW STREET 90° STEEL, 1-1/4 NPT TO 1-1/4 NPTF	
28	41218	1	HOSE - 1" X 25 HOSE X 30-1/16 OAL - FILTER TO TANK	
29	40961	1	FITTING, STR ADAPTER STEEL, 1" JIC TO 1" NPT (@ SHUT-OFF)	
30	40146	1	SHUT-OFF VALVE - 1"	
31	41120	2	FITTING, CLOSE NIPPLE STEEL, 1" NPT (@ SHUT-OFF & TANK)	
32	41119	1	FITTING, ELBOW 90° STEEL, 1" NPTF BOTH ENDS	
REV	DATE	BY		SHEET
A	6/3/2020	BRN		1 OF 3



