

8 7 6 5 4 3 2 1

D

D

C

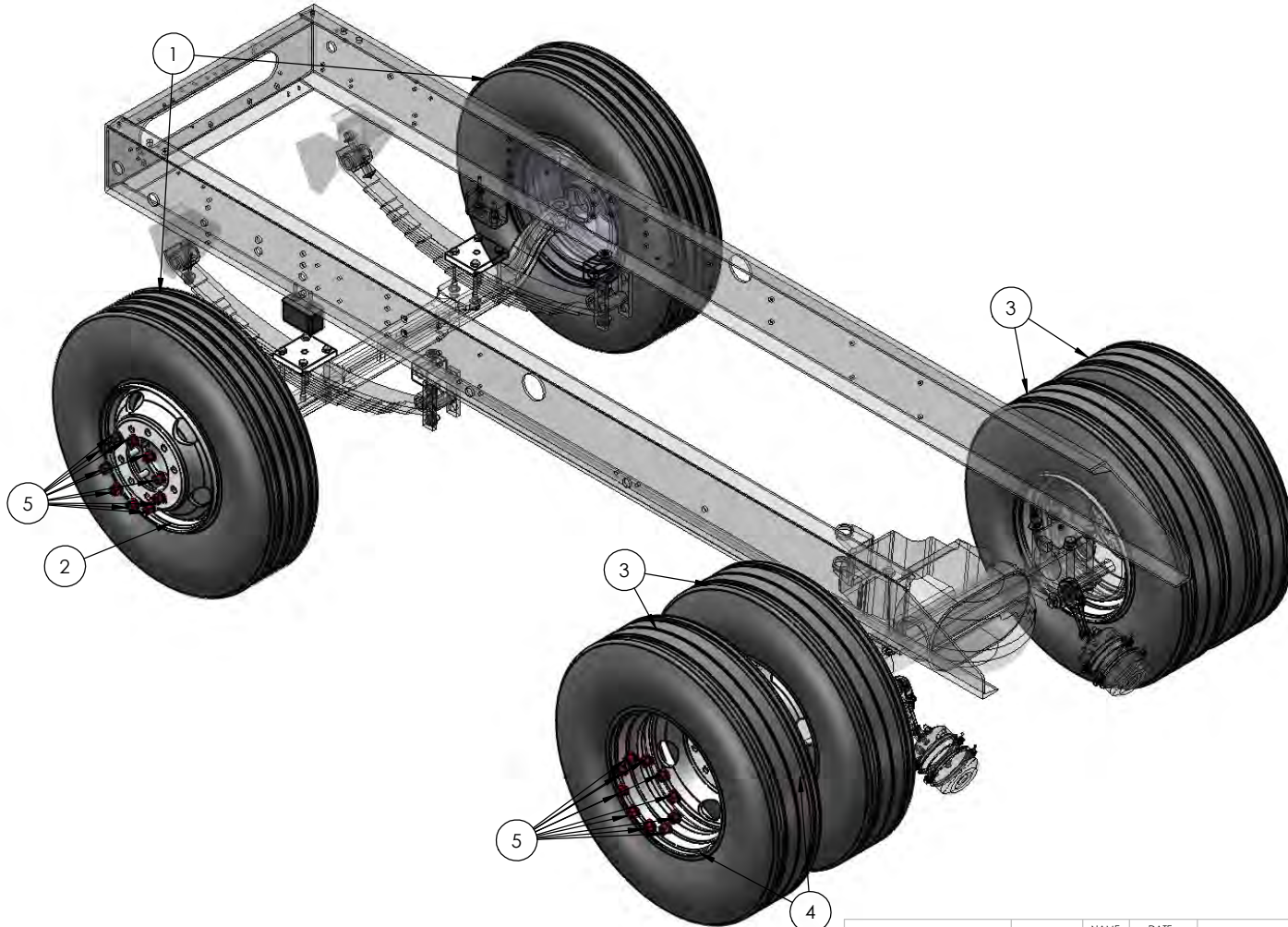
C


B

B

A

A



DIMENSIONS ARE IN INCHES		NAME	DATE	 TICO/TERMINAL SERVICE 66 CYPRESS RIDGE DR. RIDGELAND, SC 29936 (843) 717-2226	
TOLERANCES:		DRAWN	AGW		6/22/2020
DECIMAL:		CHECKED			
X.X ± 0.06		APPROVED			
X.XX ± 0.03		DO NOT SCALE DRAWING			TITLE:
X.XXX ± 0.005					ASSY, TIRES & WHEELS
ANGULAR: ± 0.5°					SIZE
FRACTIONAL: ± 1/32"					DWG. NO.
INTERPRET GEOMETRIC TOLERANCING PER: ASME 14.5M-1994					721052
MATERIAL					REV
FINISH					A1
THICKNESS					SCALE: 1:16
					SHEET 1 OF 1

8 7 6 5 4 3 2 1

