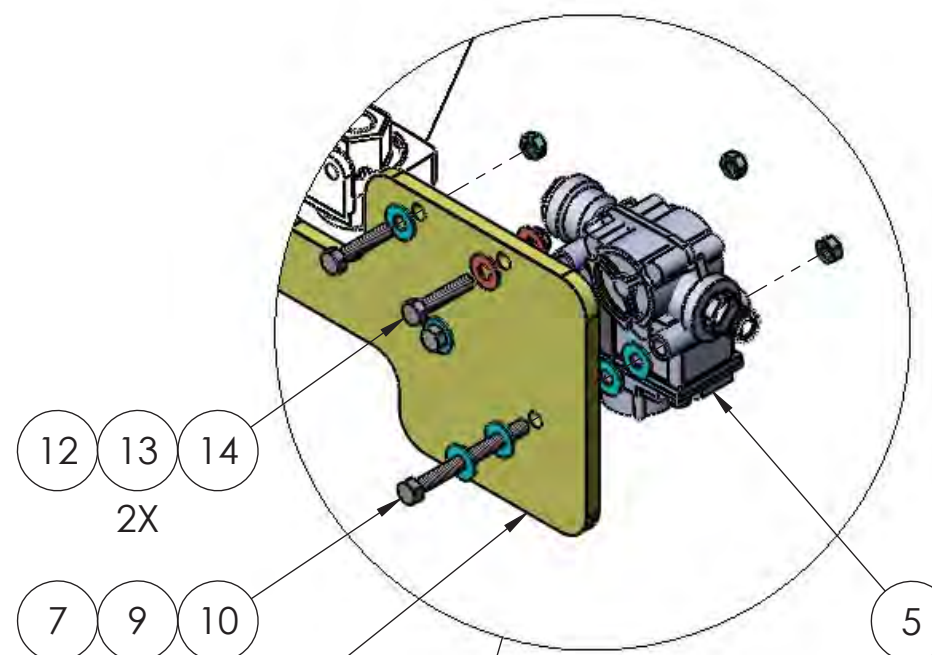


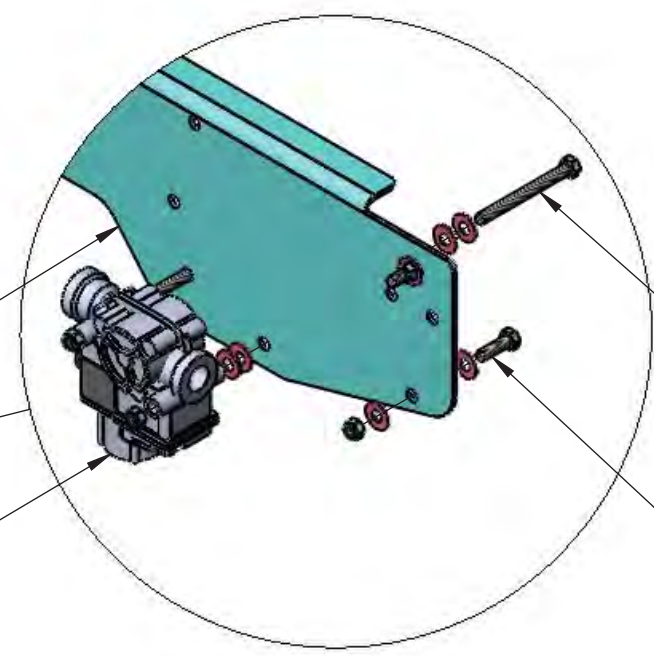
8 7 6 5 4 3 2 1

D  
C  
B  
A

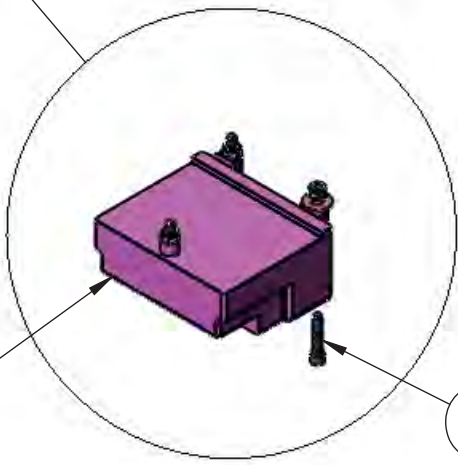
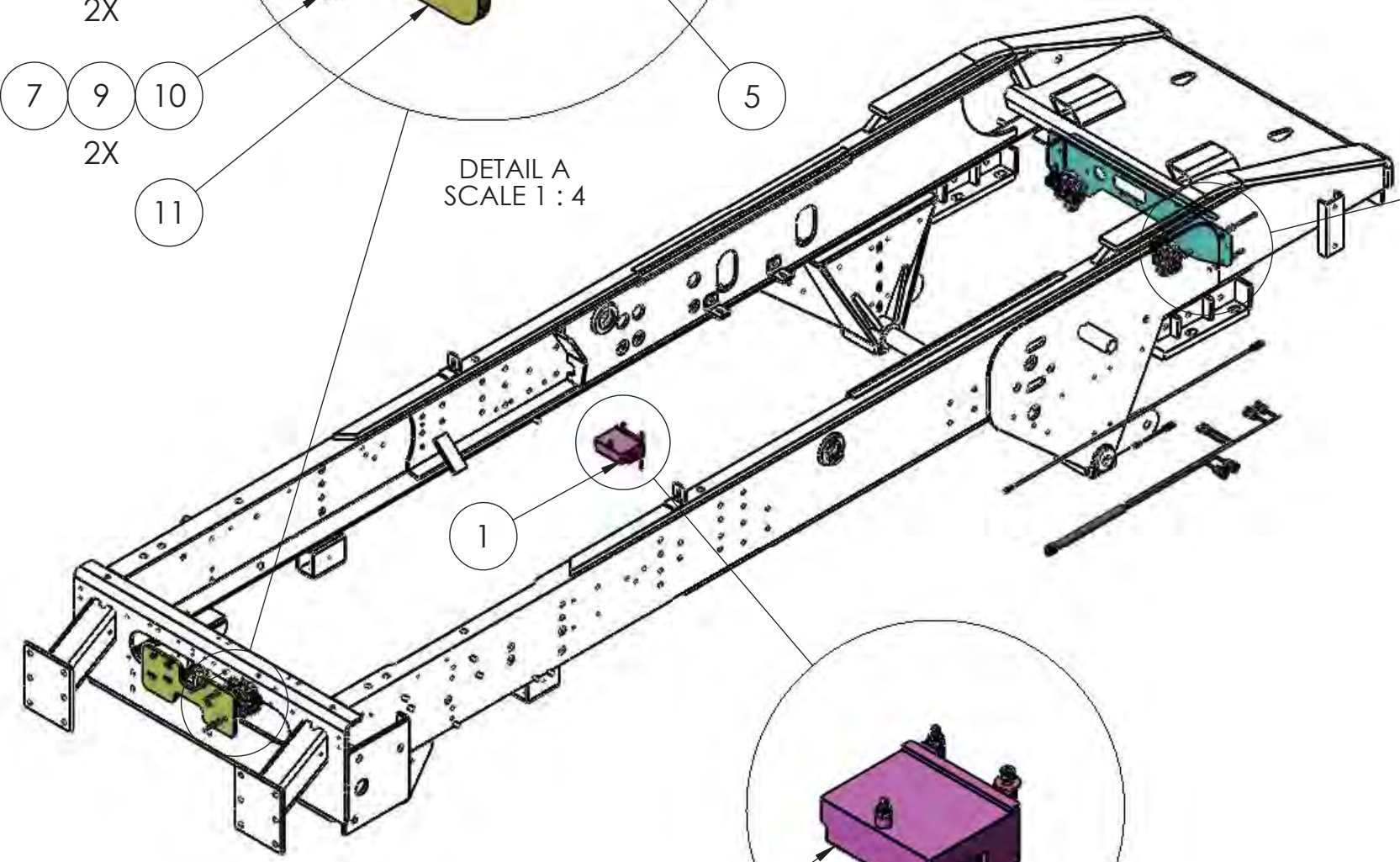
D  
C  
B  
A



DETAIL A  
SCALE 1 : 4



DETAIL B  
SCALE 1 : 5



DETAIL A  
SCALE 1 : 5

DIMENSIONS ARE IN INCHES  
TOLERANCES:  
DECIMAL:  
X.X ± 0.1250  
X.XX ± 0.0625  
X.XXX ± 0.0313  
ANGULAR: ± 1°  
FRACTIONAL ± 1/16"


INTERPRET GEOMETRIC TOLERANCING PER: ASME 14.5M-1994

MATERIAL

FINISH

THICKNESS

	NAME	DATE
DRAWN	SMB	09/17/2015
REVISED	MPC	08/19/2016
APPROVED		
DO NOT SCALE DRAWING		
<small>THE SUBJECT MATTER SHOWN AND DESCRIBED IN THIS DRAWING AND ANY OTHER INFORMATION ADVANCED IN CONNECTION THEREWITH, IS PROPRIETARY PROPERTY AND IS TO BE HELD IN STRICT CONFIDENCE BY YOU. ALL RIGHTS TO ANY INVENTIONS, DESIGNS, TRADE MARKS, TRADE NAMES AND COPYRIGHTS DISCLOSED ARE RESERVED TO TICO TERMINAL SERVICES, INC.</small>		

		<small>TICO/TERMINAL SERVICE 66 CYPRESS RIDGE DR. RIDGELAND, SC 29936 (843) 717-2226</small>	
		<b>TITLE:</b> ASSEMBLY, BRAKE SYSTEM ABS	
<b>SIZE</b> B	<b>DWG. NO.</b> 721045-A1	<b>REV</b>	
		SHEET 1 OF 1	

8 7 6 5 4 3 2 1

