

DIMENSIONS ARE IN INCHES		NAME	DATE	TICO/TERMINAL SERVICE 44 CYPRESS RIDGE DR. RIDGELAND, SC 29936 (843) 717-2226	
TOLERANCES:		DRAWN	SMB		08/27/2015
DECIMAL:	.XX ± 0.04	REVISED	PW	04/06/2016	TITLE: ASSEMBLY, AIR SYSTEM, TWO-TANK
	.XXX ± 0.03	REVISED	PW	05/04/2016	
ANGULAR:	± 0.5°	DO NOT SCALE DRAWING			SIZE DWG. NO. REV D 721039-B1 1
FRACTIONAL:	± 1/32"	INTERPRET GEOMETRIC TOLERANCING PER: ASME Y14.5M-1994 THE SUBJECT MATTER SHOWN AND DESCRIBED IN THIS DRAWING AND ANY OTHER INFORMATION ADVANCED IN CONNECTION THEREWITH IS PROPRIETARY PROPERTY AND IS TO BE HELD IN STRICT CONFIDENCE BY YOU. ALL RIGHTS TO ANY INVENTIONS, DESIGNS, TRADE MARKS, TRADE NAMES AND COPYRIGHTS DISCLOSED ARE RESERVED TO TICO TERMINAL SERVICES, INC.			
MATERIAL:					SHEET 1 OF 1
FINISH:					
THICKNESS:					

D/721039-B1 AIR SYSTEM

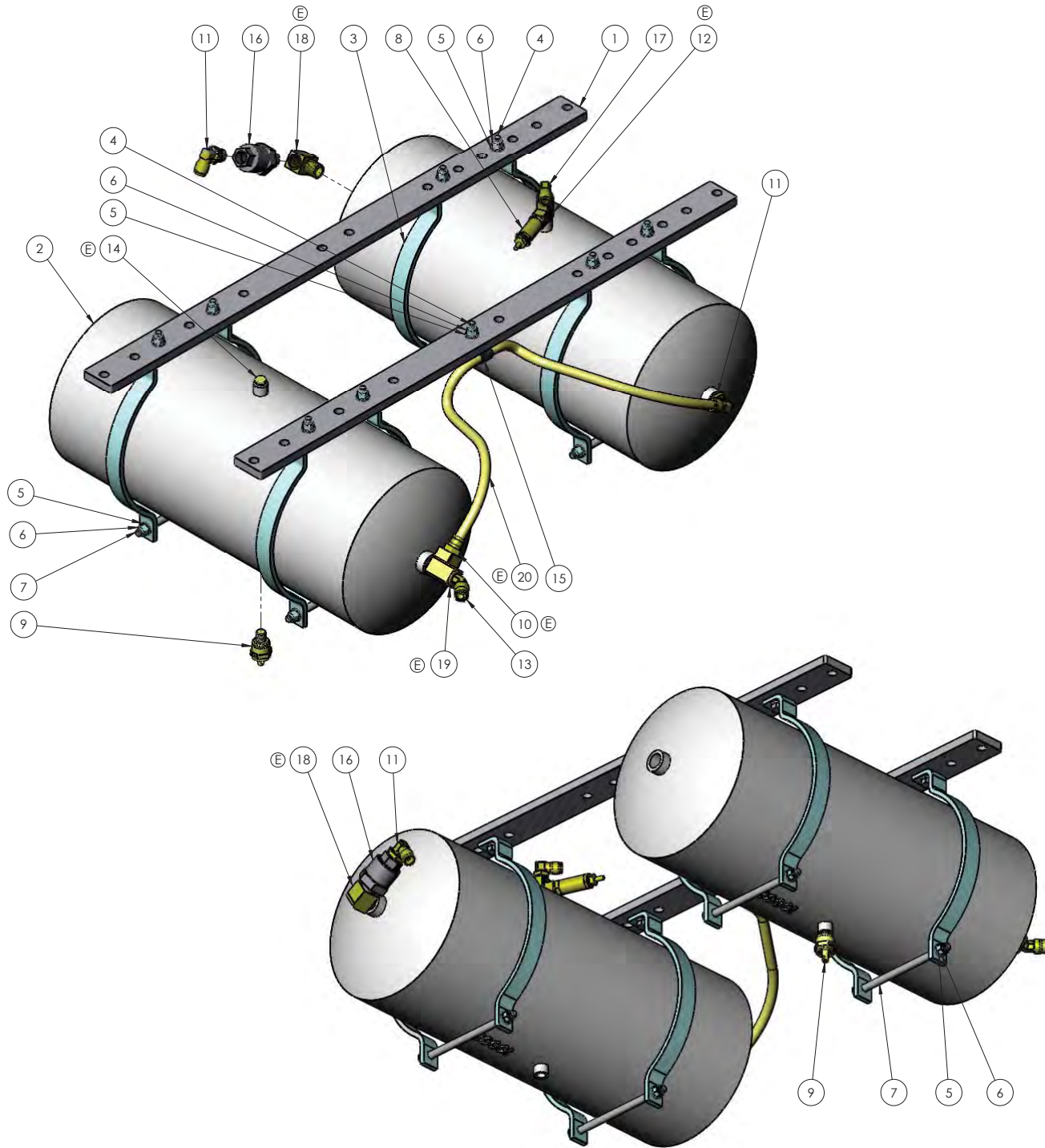
TICO PRO-SPOTTER				
S/N:		ASSEMBLY, AIR SYSTEM, TWO TANK		721039
ITEM	PART #	QTY/M	DESCRIPTION	
	721039-B1	REF	ASSEMBLY, AIR SYSTEM, TWO TANK	
	42087-E1	REF	ASSEMBLY, AIR RESERVOIR, TWO TANK	
	620539	REF	AIR SCHEMATIC, SPLIT SYSTEM, TWO TANK	
	62459	REF	AIR SCHEMATIC, SPLIT BRAKE SYSTEM	
	90094	REF	TRAILER BRAKE PP1	
	90095	REF	TRACTOR BRAKE PP3	
			NOTE: INSTALL TRACTOR PROTECTION VALVE WITH GLADHANDS ON BOTTOM SIDE OF VALVE.	
			NOTE: SET AIR GOVERNOR AT 120 PSI.	
1	42087	1	ASSEMBLY, AIR RESERVOIR, TWO TANK (SEE ASSEMBLY 42087 FOR FOR INDIVIDUAL PARTS)	
NOT SHOWN	40771	1	VALVE, PRESSURE PROTECTION, 70 PSI	
NOT SHOWN	40875	2	VALVE, DOUBLE CHECK	
NOT SHOWN	40846	2	FITTING, ADAPTER, STRAIGHT, BRASS, 3/8 NPT X 3/8 TUBE	
NOT SHOWN	40823	4	FITTING, ADAPTER, BRASS, 90°, 3/8 NPT X 3/8 TUBE	
2	40572	1	VALVE, BOBTAIL/PROPORTIONING, BP-R1 (WITH BRACKET)	
NOT SHOWN	81535	2	BOLT, 5/16 X 1	
NOT SHOWN	85090	4	WASHER, FLAT, 5/16	
NOT SHOWN	85035	2	LOCKNUT, NYLON, 5/16	
NOT SHOWN	40830	1	FITTING, ELBOW, BRASS, 45°, 1/2 TUBE X 1/2 NPT	
NOT SHOWN	42064	2	FITTING, ELBOW, SWIVEL, BRASS, 90°, 3/8 TUBE TO 1/2 NPT	
NOT SHOWN	42063	1	FITTING, ELBOW, BRASS, 90°, 3/8 TUBE TO 1/4 NPT	
NOT SHOWN	42112	1	FITTING, ELBOW, BRASS, 90°, 3/8 TUBE TO 1/8 NPT	
NOT SHOWN	80163	1	FITTING, ALLEN PLUG, BRASS, 1/2 NPT	
NOT SHOWN	40841	1	FITTING, ALLEN PLUG, BRASS, 3/8 NPT	
NOT SHOWN	40840	1	FITTING, ELBOW, BRASS, 90°, 1/4 TUBE TO 3/8 NPT	
3	10592	1	VALVE, BRAKE, QUICK RELEASE, QR-1C	
NOT SHOWN	81546	2	CAPSCREW, 5/16-18 NC X 1-1/4 LONG	
NOT SHOWN	85024	2	LOCKNUT, NYLON, 5/16	
NOT SHOWN	40864	1	FITTING, STRAIGHT, BRASS, 3/8 TUBE X 3/8 NPT	
NOT SHOWN	40823	1	FITTING, BRASS, 90°, 3/8 TUBE X 3/8 NPT	
NOT SHOWN	42063	1	FITTING, BRASS, 90°, 3/8 TUBE X 1/4 NPT	
NOT SHOWN	40857	1	FITTING, BRASS, 90°, 1/4 TUBE X 1/4 NPT	
REV	DATE	BY		SHEET
B	10/12/2016	PW		1 OF 4
TICO MANUFACTURING - RIDGELAND, SC 29936				

TICO PRO-SPOTTER				
S/N:		ASSEMBLY, AIR SYSTEM, TWO TANK		721039
ITEM	PART #	QTY/M	DESCRIPTION	
4	90295	1	VALVE, AIR REGULATOR	
NOT SHOWN	90295-1	1	FITTING, ADAPTER, 90°, BRASS, 1/4 TUBE X 1/4 NPT	
NOT SHOWN	90295-2	1	FITTING, ADAPTER, STRAIGHT, BRASS, 1/4 TUBE X 1/4 NPT	
NOT SHOWN	82370	2	BOLT, HEX, 1/4-20 X 1 LONG	
5	60023	1	GOVERNOR, D2 (WITH GASKET & 3 PLUGS)	
NOT SHOWN	80308	2	CAPSCREW, M8 X 1.25 X 70 LONG	
NOT SHOWN	85134	2	LOCKWASHER, 5/16	
NOT SHOWN	40857	3	FITTING, ELBOW, BRASS, 90°, 1/4 TUBE X 1/8 NPT	
6	90026	1	TREADLE, BRAKE	
7	40547	1	VALVE, DUAL BRAKE, E-6	
NOT SHOWN	91236	1	DUAL SWITCH, CIRCUIT, NO-NC (4 PSI SET PRESSURE)	
NOT SHOWN	82360	3	BOLT, HEX HEAD, 5/16 NC X 3/4 LONG	
NOT SHOWN	82371	3	BOLT, 5/16 X 1	
NOT SHOWN	40821	2	FITTING, STREET TEE, BRASS, 3/8 NPT	
NOT SHOWN	40884	1	FITTING, ELBOW, BRASS, 90°, 5/8 TUBE TO 3/8 NPT	
NOT SHOWN	40874	2	FITTING, REDUCER, BRASS, 3/8 NPT X 1/4 NPTF	
NOT SHOWN	40881	2	FITTING, ELBOW, BRASS, 45°, 1/4 TUBE X 1/4 NPT	
NOT SHOWN	40819	2	FITTING, ELBOW, BRASS, 90°, 1/2 TUBE X 3/8 NPT	
NOT SHOWN	40823	5	FITTING, ELBOW, BRASS, 90°, 3/8 TUBE X 3/8 NPT	
NOT SHOWN	40813	1	FITTING, REDUCER BUSHING, BRASS, 1/4 NPT-1/8 NPT	
8	91966	1	VALVE, INVERSION, TR-3	
NOT SHOWN	40885	1	FITTING, ELBOW, BRASS, SWIVEL, 90°, 3/8 TUBE X 1/8 NPT	
NOT SHOWN	40861	2	FITTING, ELBOW, BRASS, SWIVEL, 90°, 1/4 TUBE X 1/4 NPT	
9	40550	1	BRAKE VALVE, QUICK RELEASE, QR-1	
NOT SHOWN	81546	2	CAPSCREW, 5/16-18 NC X 1-1/4 LONG	
NOT SHOWN	85090	2	WASHER, FLAT, 5/16	
NOT SHOWN	85024	2	LOCKNUT, NYLON, 5/16-18	
NOT SHOWN	40864	2	FITTING, STRAIGHT, BRASS, 3/8 TUBE, 3/8NPT	
NOT SHOWN	42064	1	FITTING, ELBOW, BRASS, 90°, 1/2 TUBE, 1/2NPT	
10	90078	1	PRESSURE SWITCH, STOP LIGHT, BENDIX, SL-5	
NOT SHOWN	42234	1	FITTING, STREET TEE, BRASS, 3/8 X 3/8 X 1/4	
NOT SHOWN	40823	1	FITTING, ELBOW, BRASS, 90°, 3/8 TUBE X 3/8 NPT	
NOT SHOWN	42063	1	FITTING, ELBOW, BRASS, 90°, 3/8 TUBE X 1/4 NPT	
NOT SHOWN	40874	1	FITTING, REDUCER BUSHING, 3/8 NPT TO 1/4 NPT	
REV	DATE	BY		SHEET
B	10/12/2016	PW		2 OF 4

TICO MANUFACTURING - RIDGELAND, SC 29936

TICO PRO-SPOTTER				
S/N:		ASSEMBLY, AIR SYSTEM, TWO TANK		721039
ITEM	PART #	QTY/M	DESCRIPTION	
11	10949	1	ASSEMBLY, AIR MANIFOLD	
NOT SHOWN	82201	2	CAPSCREW, HEX HEAD, 5/16-18 X 3 LONG	
NOT SHOWN	80232	2	WASHER, FLAT, STAINLESS STEEL, 5/16	
NOT SHOWN	85209	2	LOCKNUT, NYLON, 5/16-18	
NOT SHOWN	42119	1	FITTING, ELBOW, BRASS, 45°, 3/8 TUBE X 1/2 NPT	
NOT SHOWN	40833	2	FITTING, STRAIGHT, BRASS, 1/4 TUBE X 3/8 NPT	
NOT SHOWN	40840	3	FITTING, ELBOW, BRASS, 90°, 1/4 TUBE X 3/8 NPT	
NOT SHOWN	40841	3	FITTING, PIPE PLUG, HEX, BRASS, 3/8 NPT	
NOT SHOWN	80163	1	FITTING, PIPE PLUG, HEX, BRASS, 1/2 NPT	
12	40687	2	HOSE ASSEMBLY, FRONT BRAKE CHAMBER	
NOT SHOWN	40817	2	FITTING, STREET ELBOW, BRASS, 90°, 1/2 NPT	
13	62253	1	BRACKET, HOSE GUIDE	
14	50038-1	2	GLADHAND, BLUE	
15	50039-1	2	GLADHAND, RED	
16	90069	1	VALVE, TRACTOR PROTECTION	
17	40899	2	FITTING, STREET ELBOW, BRASS, 45°, 1/2 NPT	
18	40799	2	FITTING, CLOSE NIPPLE, BRASS, 1/2 NPT	
NOT SHOWN	82459	2	BOLT, 5/16-18 X 3 LONG	
NOT SHOWN	85090	4	WASHER, FLAT, 5/16	
NOT SHOWN	85024	2	LOCKNUT, NYLON, 5/16-18	
19	50303	2	ASSEMBLY, HOSE, TRAILER AIR, 3/8 X 15 FEET	
20	10356	1	SPRING	
21	40080	1	HOSE CLAMP, TRAILER	
NOT SHOWN	91271	1	BUZZER, LOW AIR PRESSURE, 75-95 DBA	
NOT SHOWN	42273	1	FITTING, UNION TEE, BRASS, 3/8 TUBE	
NOT SHOWN	40829	1	FITTING, BULKHEAD, BRASS, 1/4	
NOT SHOWN	40883	1	FITTING, STRAIGHT, 1/4 NPT TO 1/4 TUBE	
NOT SHOWN	42063	1	FITTING, ELBOW, BRASS, 90°, 3/8 TUBE X 1/4 NPT	
NOT SHOWN	91272	1	SWITCH, LOW AIR PRESSURE, 70 PSI (WITH WEATHER CAP)	
NOT SHOWN	42295	1	FITTING, BRANCH TEE, FEMALE, BRASS, 1/4 TUBE X 1/4 NPT	
NOT SHOWN	40883	1	FITTING, ADAPTER, STRAIGHT, BRASS, 1/4 TUBE X 1/4 NPT	
NOT SHOWN	40855	1	FITTING, ADAPTER, BRASS, 90°, 1/4 TUBE X 1/4 NPT	
NOT SHOWN	40596	1	P-CLAMP, 5/8	
NOT SHOWN	12091	1	SPACER, PLASTIC, 1-1/2	
REV	DATE	BY		SHEET
B	10/12/2016	PW		3 OF 4

TICO MANUFACTURING - RIDGELAND, SC 29936



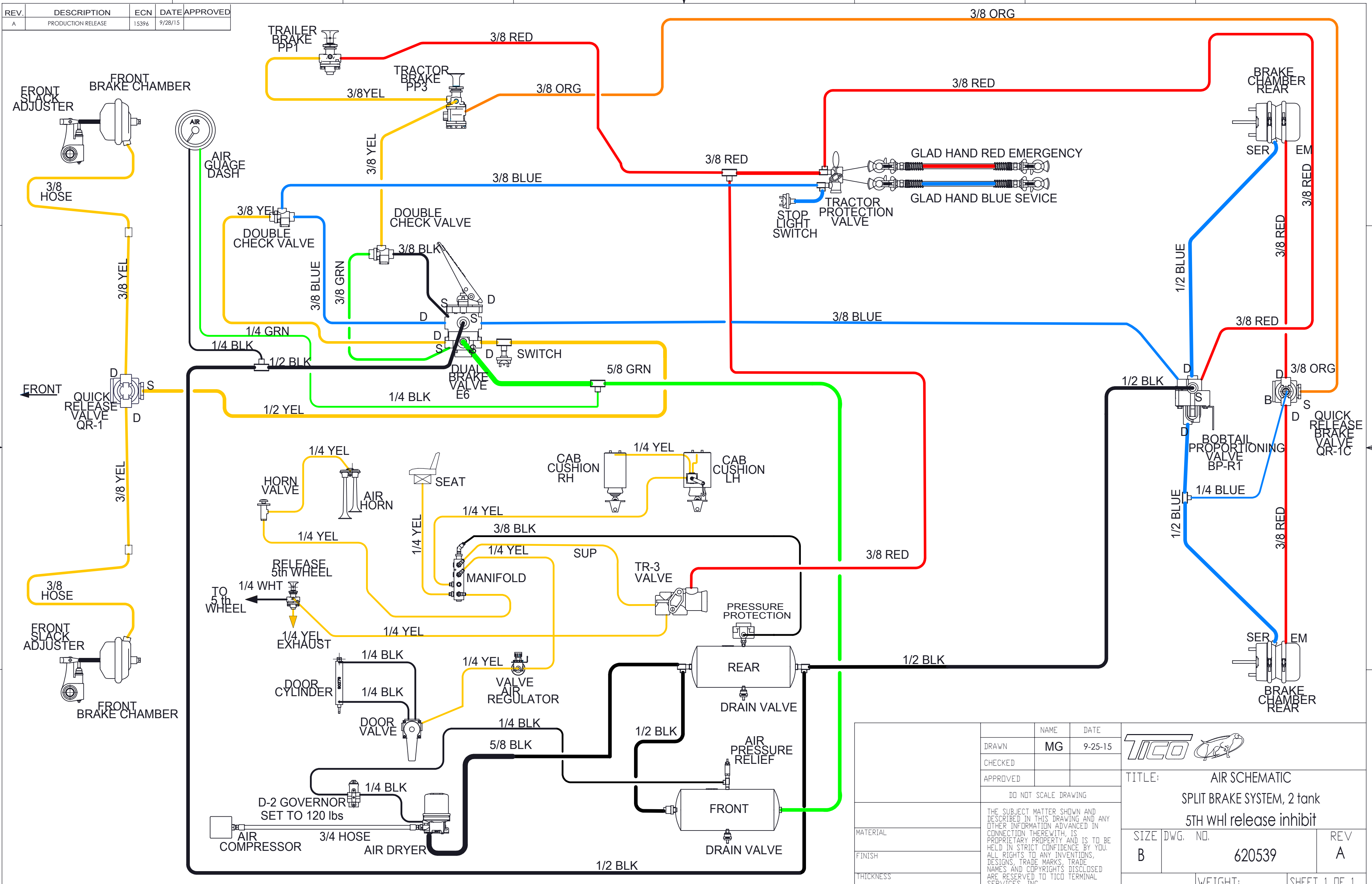
NOTE: AIR VOLUME CAPACITY = 3156 CUBIC IN.


REV.	DESCRIPTION	ECN	DATE	APPROVED
A	RELEASE		5/9/2012	
B	REMOVED CHECK VALVE	14127	1/17/2014	
C	REVISE TANK MOUNTING TO INCREASE CLEARANCE FOR DRIVESHAFT	14390	7/14/2014	
D	REMOVED 40900, MOVED 40029-1 TO SECOND TANK	15197	3/23/2015	
E	REMOVED 40819 & 42049. 42044 QTY WAS 1. 85102 QTY WAS 25. 42063 QTY WAS 2 & ITEM 41076 WAS 11005. ADDED 40832, 40900, 40824, 40817, 40848 & 41076.	15440	10/30/2015	

20	1	41076	TUBE, 1/2x 20" Lg
19	1	40848	TEE, BRASS STREET 1/2 NPT
18	1	40817	ELBOW, 90 Deg STREET 1/2 NPT TO 1/2 FPT
17	1	42063	PUSH CONNECT, 90 Deg 1/4 MPT TO 3/8 TUBE
16	1	40029-1	VALVE CHECK AIRTANK (NEWSTYLE)
15	1	40826	CLAMP, LOOM 1/2"
14	1	40824	PLUG, HEX HD 1/4" NPT
13	1	40822	PUSH CONNECT, 45 Deg 1/2 MPT x 1/2 TUBE
12	1	40900	TEE, BRASS STREET - 1/4 NPT
11	2	42064	PUSH CONNECT, 90 Deg 1/2 MPT TO 1/2 TUBE
10	1	40832	PUSH CONNECT, BRASS STR 1/2 MPT TO 1/2 TUBE
9	1	40148	VALVE AIR TANK DRAIN
8	1	40022	VALVE AIR PRESSURE RELIEF
7	4	82603	BOLT, HEX 3/8-16 X 6 1/2 Lg
6	13	85025	LOCKNUT, NYLOCK 3/8-16
5	26	85091	WASHER, FLAT 3/8
4	9	82394	BOLT, HEX 3/8-16 X 1 1/2 Lg
3	8	40393-1	AIR TANK BRACKET
2	2	10032	TANK AIR-10
1	2	12357	SUPPORT BAR AIR TANK

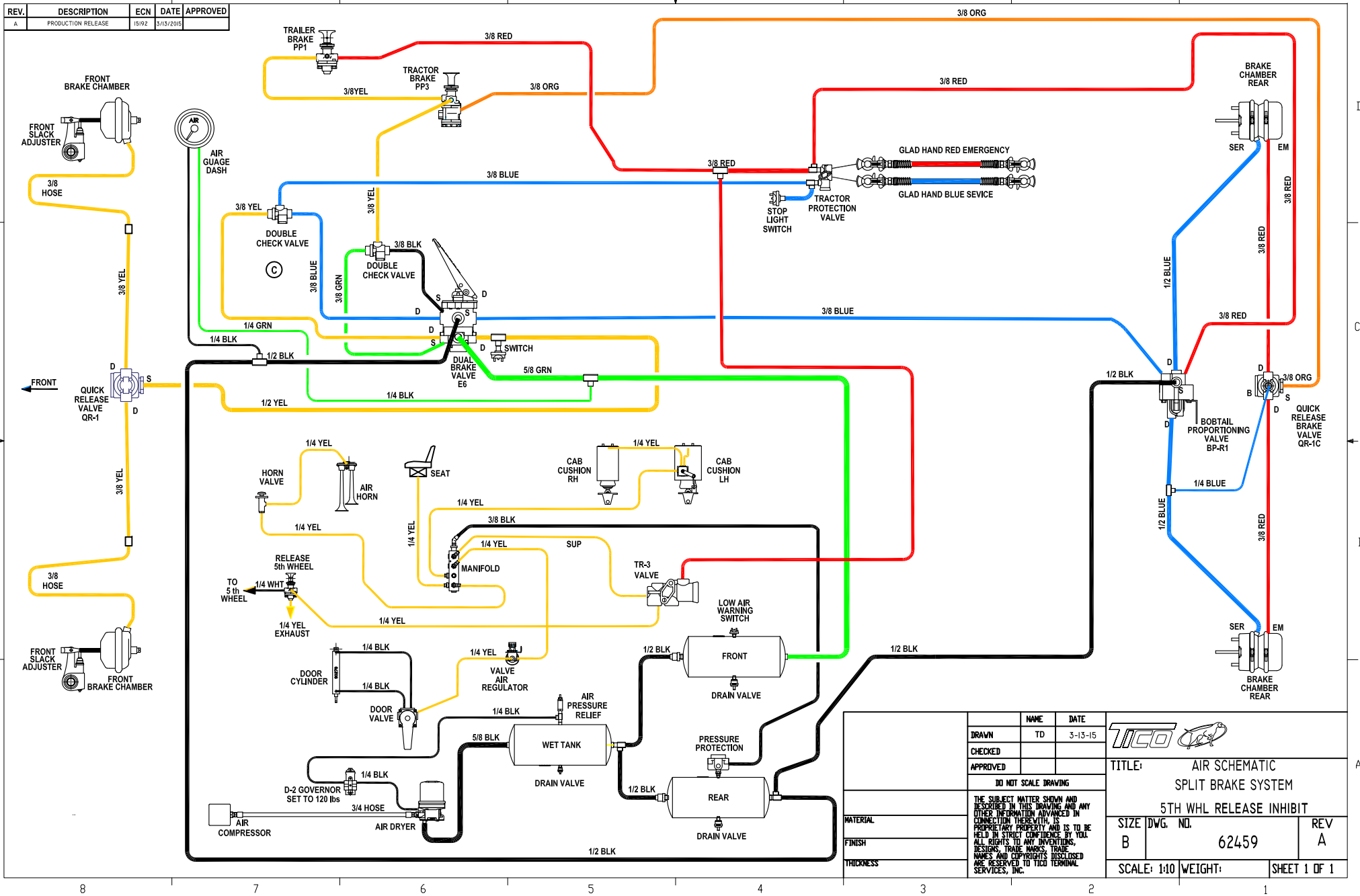
ITEM NO.	QTY.	PART NUMBER	DESCRIPTION
DIMENSIONS ARE IN INCHES TOLERANCES: DECIMAL: .XX ± 0.1250 .XXX ± 0.0625 .XXXX ± 0.0313 FRACTIONAL: ± 1/16"			
INTERPRET GEOMETRIC TOLERANCING PER: ASME 14.5M-1994			
FINISH:			
THICKNESS:			
DRAWN: RWC CHECKED: APPROVED:		NAME: DATE: 11-01-08 TICO/TERMINAL SERVICE 66 CYPRESS RIDGE DR. RIDGELAND, SC 29936 (843) 717-2226	
TITLE: AIR RESERVOIR ASSEMBLY SYSTEM-TWO TANKS			
SCALE: 1:4		WEIGHT: 949.91	
SHEET 1 OF 1		REV E	

REV.	DESCRIPTION	ECN	DATE	APPROVED
A	PRODUCTION RELEASE	15396	9/28/15	



MATERIAL	NAME	DATE		
	DRAWN	MG		9-25-15
	CHECKED			
	APPROVED			
FINISH	DO NOT SCALE DRAWING			
	THE SUBJECT MATTER SHOWN AND DESCRIBED IN THIS DRAWING AND ANY OTHER INFORMATION ADVANCED IN CONNECTION THEREWITH IS PROPRIETARY PROPERTY AND IS TO BE HELD IN STRICT CONFIDENCE BY YOU. ALL RIGHTS TO ANY INVENTIONS, DESIGNS, TRADE MARKS, TRADE NAMES AND COPYRIGHTS DISCLOSED ARE RESERVED TO TICO TERMINAL SERVICES, INC.			
	TITLE: AIR SCHEMATIC SPLIT BRAKE SYSTEM, 2 tank 5TH WHL release inhibit			
THICKNESS	SIZE	DWG. NO.	REV	
	B	620539	A	
WEIGHT:			SHEET 1 OF 1	

REV.	DESCRIPTION	ECN	DATE	APPROVED
A	PRODUCTION RELEASE	15192	5/13/2015	



	NAME	DATE
DRAWN	TD	3-13-15
CHECKED		
APPROVED		



TITLE: AIR SCHEMATIC SPLIT BRAKE SYSTEM 5TH WHL RELEASE INHIBIT		
SIZE	DWG. NO.	REV
B	62459	A
SCALE: 1:10	WEIGHT:	SHEET 1 OF 1

DO NOT SCALE DRAWING

THE SUBJECT MATTER SHOWN AND DESCRIBED IN THIS DRAWING AND ANY OTHER INFORMATION ADVANCED IN CONNECTION THEREWITH IS PROPRIETARY PROPERTY AND IS TO BE HELD IN STRICT CONFIDENCE BY YOU. ALL RIGHTS TO ANY INVENTIONS, DESIGNS, TRADE MARKS, TRADE NAMES AND COPYRIGHTS DISCLOSED ARE RESERVED TO TICO TERMINAL SERVICES, INC.

MATERIAL	
FINISH	
THICKNESS	