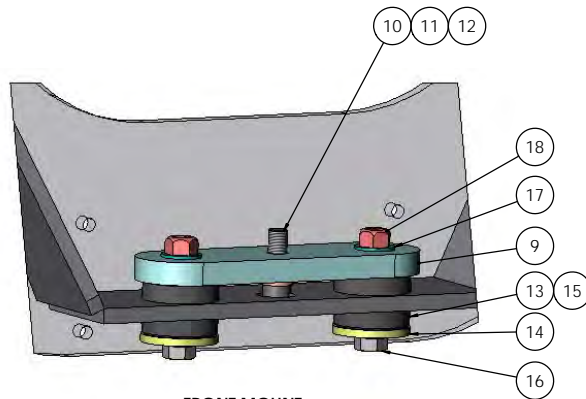


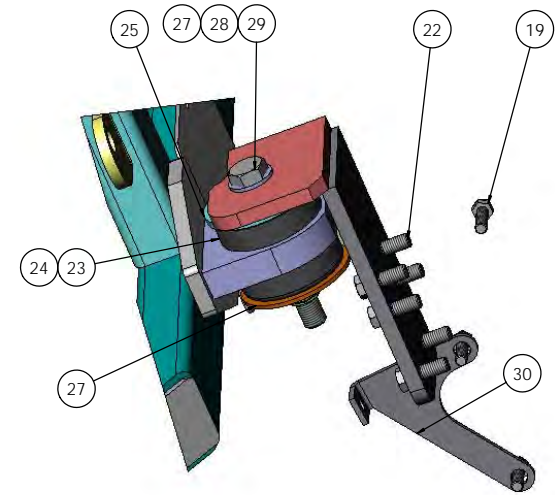
ENGINE & TRANSMISSION
 PAGE 1 GENERAL OVERVIEW
 PAGE 2 CRADLE, MOUNTS,
 AND ACCELERATOR
 PAGE 3-5 PARTSLIST

DESIGNED BY: H. BLOOM	DATE: 7/17/2017	SCALE: 1:32	REV: D
DRAWN BY: H. BLOOM	CHECKED BY: H. BLOOM	APPROVED BY: H. BLOOM	
DO NOT SCALE DRAWING			
<small>THE SUBJECT MATTER HEREIN AND THE INFORMATION CONTAINED HEREIN IS UNCLASSIFIED EXCEPT WHERE SHOWN OTHERWISE AND IS RELEASED TO THE PUBLIC BY THE NATIONAL ARCHIVES AT COLLETSVILLE, PA 17043-4433. FOR ALL INFORMATION CONTACT: NATIONAL ARCHIVES, COLLETSVILLE, PA 17043-4433. WWW.NATIONALARCHIVES.GOV</small>			
TITLE: ENGINE & TRANSMISSION SIZE: DWG. NO. 721036 SHEET 1 OF 2			TITLE: ENGINE & TRANSMISSION DWG. NO. 721036 REV: D

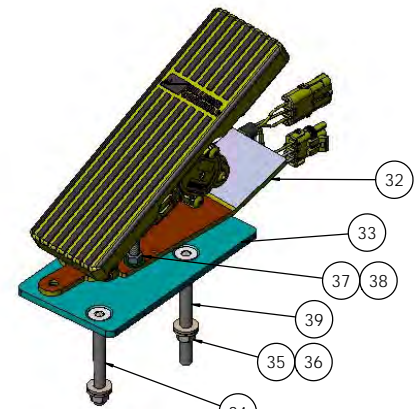
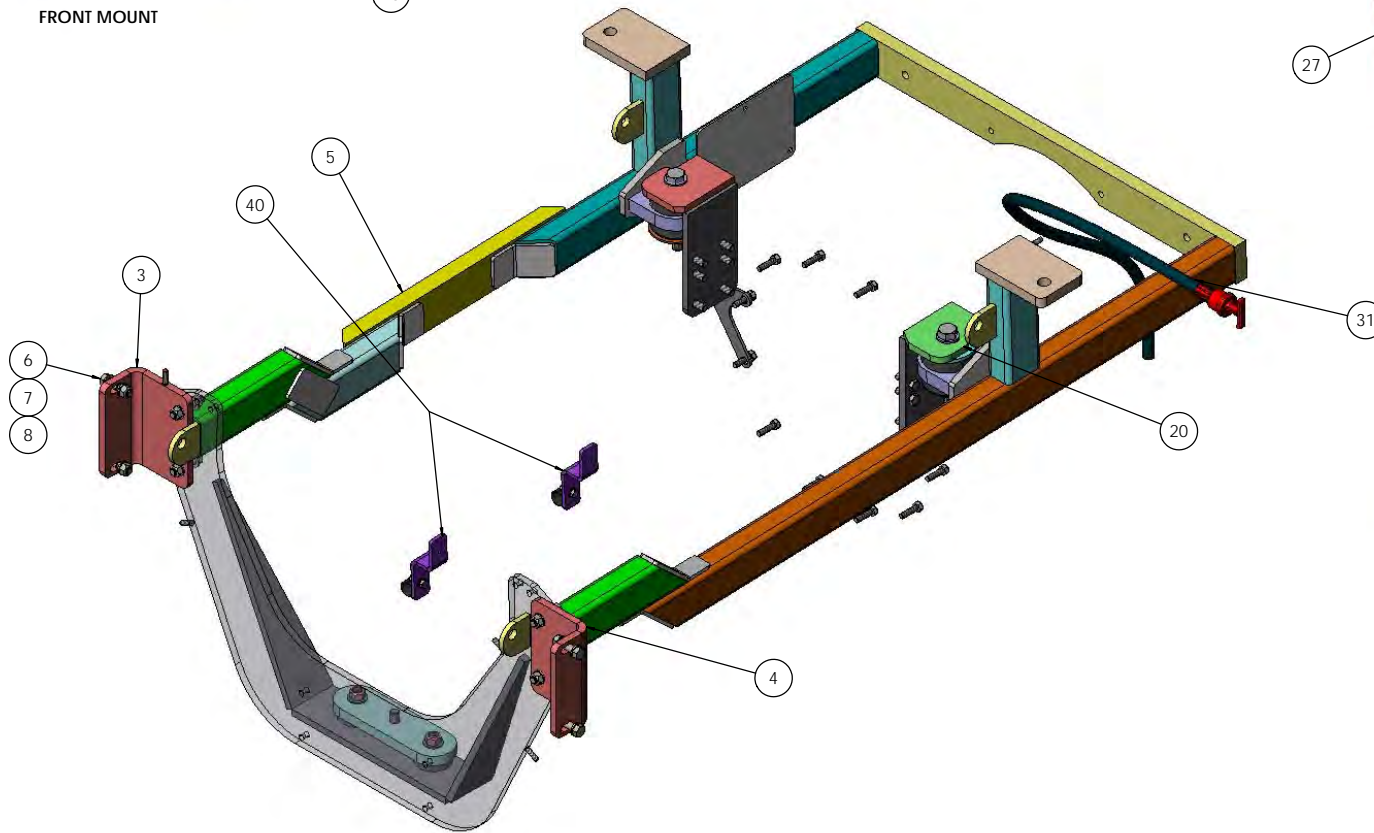
721036-01



FRONT MOUNT



REAR MOUNT



ACCELERATOR PEDAL

REVISIONS ARE IN PINKS	DATE	7/18/2017	TCO/TERMINAL SERVICE
DESIGNED BY: [blank]	ISSUED		ALL CYRUS RIGGS OR
CHECKED BY: [blank]	DATE		RICKLAND, NC 27858
BY: [blank]			(843) 777-2226
DATE: [blank]			
APPROVED BY: [blank]			
FUNCTIONAL: [blank]			
NOTED SCALE CHANGES			
ISSUES/COMMENTS/ISSUANCES:	THE SUBJECT MATTER SHOWN AND DESCRIBED IN THE DRAWING AND ANY DIMENSIONS OR DIMENSIONS LISTED IN THIS DRAWING SHALL BE AS SHOWN UNLESS OTHERWISE SPECIFIED BY A NOTE OR DIMENSION LINE.		
SEE NOTE	ALL RIGHTS TO ANY PATENT, TRADE MARK, OR COPYRIGHTED DESIGN ARE RESERVED TO RIGGS TERMINAL SERVICE.		
SCALE: 1:32	WEIGHT: 270.27	SHEET 2 OF 2	

D 721036-A1

TITLE: ENGINE & TRANSMISSION	
SIZE: D	DWG. NO: 721036-A1
SCALE: 1:32	WEIGHT: 270.27
SHEET 2 OF 2	

TICO PRO-SPOTTER

ENGINE & TRANS 2016 QSB-IV, 155HP @ 2200 SPD CNTRL/RDS3000 GEN V, 1st-5th, BLK HTR, 2°, DELCO START & STOP **721036**

ITEM	PART #	QTY/M	DESCRIPTION	
1	620583	1	ENGINE-CUMMINS QSB-IV 155 HP@2100, BLK HTR, DELCO	
2	60799-15	1	TRANSMISSION-RDS 3000,TC-415	
NS	62185	1	TCM-1st-5th, 1950/2800 RPM, GEN V	
NS	62192	1	SHIFTER-TRANSMISSION PUSH BUTTON GEN V	
3	61572-5	1	MOUNT-FRONT ENGINE-FRAME	
4	61572-9	1	BRACKET, FRONT ENGINE MOUNT	
5	62115	1	ENGINE CRADLE, ISB	
6	82418	8	BOLT, HEX 1/2-13 X 2 LG - FRONT MOUNTS	
7	85038	8	NUTLOCK, 1/2-13	
8	85093	16	WASHER, FLAT 1/2-13	
9	60809	1	MOUNTING PLATE FRONT ENGINE MOUNT	
10	80342	1	BOLT-DRILLED HEAD-M16 x 2 x 45mm, 10.9 SHCS	
11	85094	1	WASHER, FLAT 5/8-11	
12	85138	1	LOCKWASHER, 5/8-11	
13	60814	4	ISOLATOR, FRONT ENGINE MOUNT DUAL SYSTEM	
14	60113	2	WASHER, BOOM	
15	10971	2	SPACER FRONT MOTOR MOUNT	
16	82474	2	BOLT, HEX 5/8-11 x 3 1/4" LG	
17	85094	2	WASHER, FLAT 5/8-11	
18	85039	2	LOCKNUT, 5/8-11	
19	60799-6	6	BOLT-FLEX PLATE/TORQUE CONV	
NS	60799-12	1	TRANS MOUNTING KIT	
20	60981	1	MOUNT-REAR ENGINE LH	
21	60982	1	MOUNT-REAR ENGINE RH	
22	80240	12	BOLT-M12 x 1.5 x 35mm, HEX HD , 10.9	
23	61678	2	ISOLATOR-REAR ENGINE	
24	61677-8	2	SPACER-BOLT	
25	60740	2	WASHER-3/4, REAR ENGINE MOUNT	
26	85095	2	WASHER, FLAT 3/4	
27	60740-1	2	WASHER-3/4, REAR ENGINE MOUNT	
28	82574	2	BOLT-3/4-10UNC x 5 1/2 LG HEX HD	
29	85029	1	NUT-3/4-10UNC NYLK	
30	90910	1	BRACKET-BATTERY CABLE SUPPORT	
REV	DATE	BY		SHEET
A	7/1/2020	BRN		1 OF 1

TICO PRO-SPOTTER

IE & TRANS 2016 QSB-IV, 155HP @ 2200 SPD CNTRL/RDS3000 GEN V, 1st-5th, BLK HTR, 2°, DELCO START **721036**

ITEM	PART #	QTY/M	DESCRIPTION
31	61574	1	DIPSTICK-TRANSMISSION RDS
NS	12091	1	SPACER
NS	82382	3	BOLT, HEX 5/16-18 x 2 1/4 Lg
NS	85112	8	WASHER, FLAT 5/16
NS	85134	2	LOCKWASHER 5/16
NS	40593	4	P-CLAMP
NS	80349	1	STUD, 5/16-18 X 1"LG WELD
NS	85035	1	LOCKNUT 5/16
32	61640	1	PEDAL ACCELERATOR - ELECTRONIC ISB
33	90632	1	MOUNTING PLATE ELECTRIC THROTTLE
34	83318	1	SC HC SCREW 3/8-16 x 3 1/2" Lg
35	85113	2	WASHER, FLAT 3/8
36	85036	2	LOCKNUT, 3/8-16
37	85090	2	WASHER, FLAT 5/16
38	85035	2	LOCKNUT 5/16
39	83340	1	SC HC SCREW 3/8-16 x 4" Lg
NS	60061	1	PRESSURE STAT 10 Lbs
NS	40467	1	FITTING, TEE STREET, 1/8 NPT
NS	91068	1	SENSOR-OIL PRESS GAUGE
NS	91069	1	SENSOR-WATER TEMP GAUGE
NS	12091	1	SPACER-DIPSTICK
NS	62405	1	HARNESS-ENGINE TIER IV FINAL
NS	62375	1	HARNESS-TRANS ALLISON GEN V-W/ABS, AUTO NEUTRAL
NS	91222	1	CABLE 2 GA BLACK ALT TO STARTER 33"
NS	91221	1	CABLE 2 GA RED ALT TO STARTER 38"
NS	91171	1	WIRE ASSY-AIR INTAKE HEATER
NS	91232	1	WIRE ASS'Y-ECM GRD/BATT
NS	61704	1	BRACKET-STANDOFF
NS	42050	1	FITTING, TEE BRANCH, BRASS, 3/4 NPT
NS	42055	1	FITTING, BARB HOSE - 45°, # 16 HOSE X 3/4 NPT
NS	40752	1	FITTING, REDUCER, BRASS, 3/4 MNPT X 1/2 NPT
NS	42049	1	FITTING, TEE BRANCH, BRASS, 1/2 NPT
NS	42047	1	FITTING, BARB HOSE - STR, # 10 HOSE X 1/2 NPT
NS	42178	1	FITTING, BARB HOSE - 90°, # 10 HOSE X 1/2 NPT
NS	40752	1	FITTING, REDUCER, BRASS, 3/4 MNPT X 1/2 NPT

REV	DATE	BY	SHEET
A	7/1/2020	BRN	2 OF