

DIMENSIONS ARE IN INCHES		NAME	DATE
TOLERANCES:	DECIMAL	DRAWN	ADW
	.005	06/03/2020	
	.010		
	.015		
	.030		
ANGULAR:	± 1.0°		
FUNCTIONAL:	± 1.0°		
DO NOT SCALE DRAWING			
THE SUBJECT MATTER SHOWN AND DESCRIBED IN THIS DRAWING AND ANY OTHER INFORMATION CONTAINED HEREIN IS THE PROPERTY OF TICO MANUFACTURING AND IS TO BE KEPT IN CONFIDENTIALITY AND NOT TO BE REPRODUCED OR TRANSMITTED IN ANY FORM OR BY ANY MEANS, ELECTRONIC OR MECHANICAL, INCLUDING PHOTOCOPYING, RECORDING, OR BY ANY INFORMATION STORAGE AND RETRIEVAL SYSTEM. ALL RIGHTS TO ANY PATENTS, TRADEMARKS, OR OTHER INTELLECTUAL PROPERTY ARE RESERVED BY TICO MANUFACTURING.			
DATE:	N/A	SIZE	DWG. NO.
DESIGNER:	SEE NOTE	D	721031-A1
REVISION:	N/A	SCALE	1:4
		WEIGHT:	19.69
		SHEET	1 OF 1

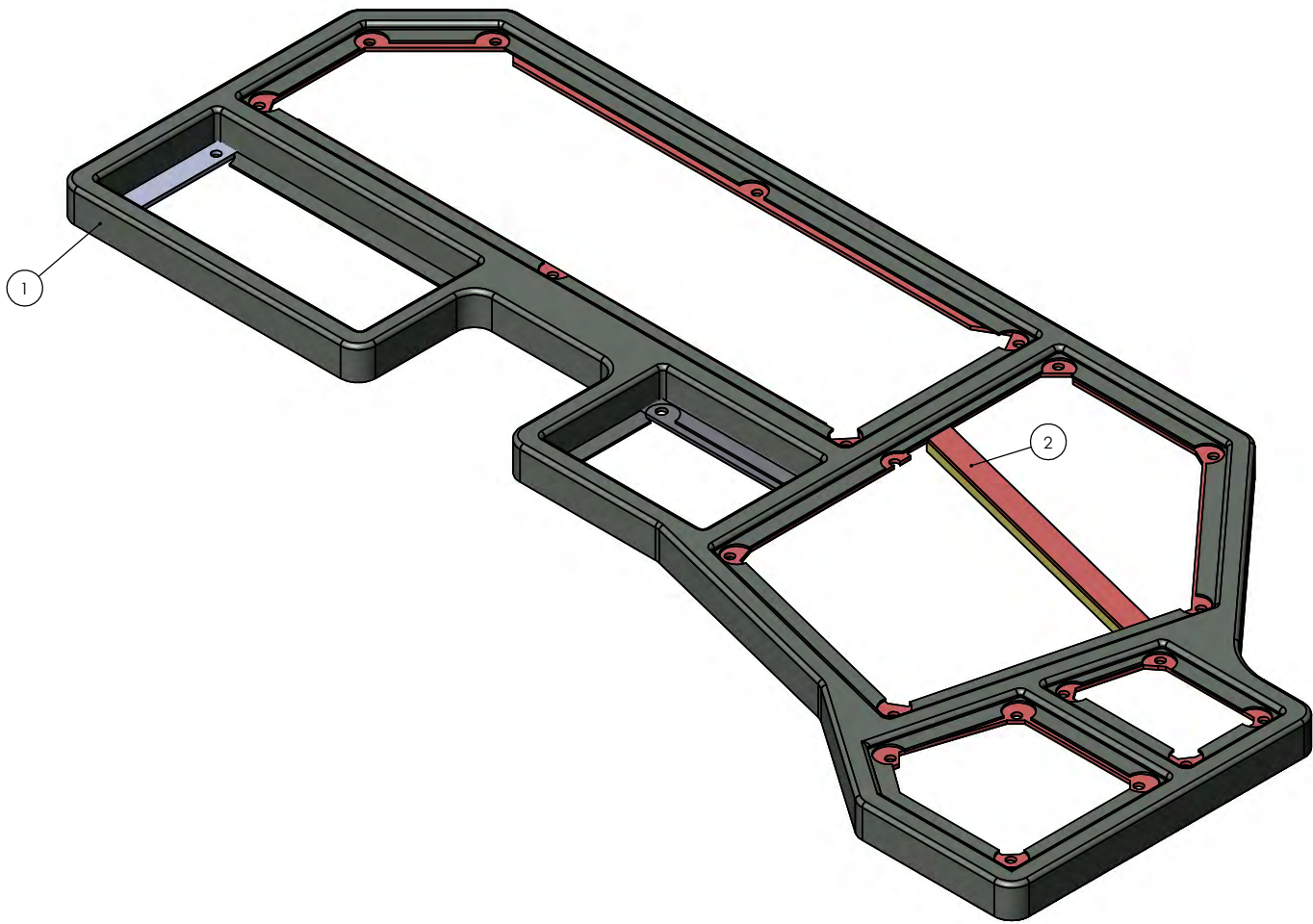
TICO MANUFACTURING  
44 CYPRESS RIDGE DR.  
ROSELAND, NC 27068  
(843) 717-2226

TITLE: DASH ASSY-QSB-RDS, KPH - 12V-PUSH BUTTN- KEY

SIZE DWG. NO. REV  
D 721031-A1  
SCALE 1:4 WEIGHT: 19.69 SHEET 1 OF 1

721031-A1



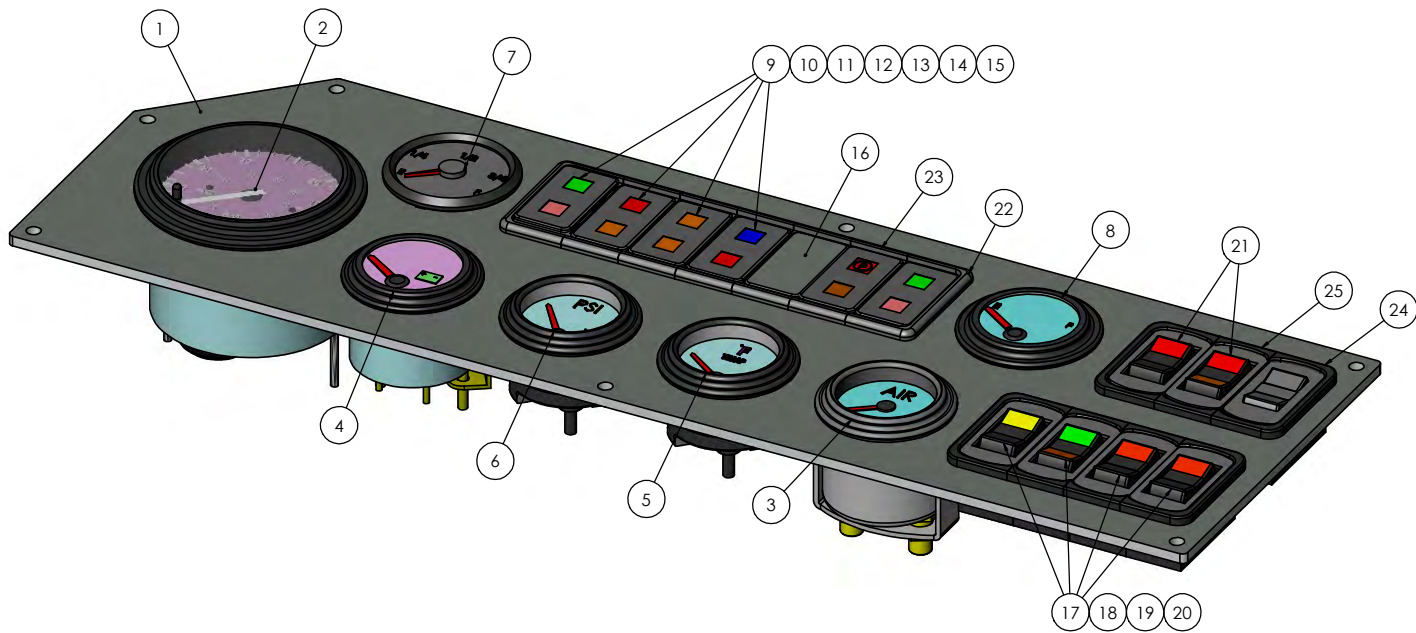


DIMENSIONS ARE IN INCHES		NAME	DATE	TICO MANUFACTURING	
TOLERANCES:		DRAWN	ADW	06/22/2020	44 CYPRESS RIDGE DR.
DECIMAL	.XX	CHECKED			ROCKLAND, NC 29154
	.XXX	APPROVED			TICORACTORS.COM
	.XXX & UP				
FRACTIONAL	1/16	DO NOT SCALE DRAWING			
	1/32	THE SUBJECT MATTER SHOWN AND			
	1/64	DESCRIBED IN THIS DRAWING AND ANY			
	3/16	OTHER REFERENCE IS INDICATED IN			
	1/2	CONNECTIONS BETWEEN PARTS TO BE			
	3/4	MATED TO THE DIMENSIONS OF THE			
	1	ORIGINAL UNLESS OTHERWISE SPECIFIED.			
	1.5	ALL RIGHTS TO ANY INVENTIONS			
	2	HEREIN, INCLUDING PATENT RIGHTS,			
	2.5	ARE RESERVED BY TICO MANUFACTURING.			
	3	REVISIONS:			
	3.5				
	4				
	4.5				
	5				
	5.5				
	6				
	6.5				
	7				
	7.5				
	8				
	8.5				
	9				
	9.5				
	10				
	10.5				
	11				
	11.5				
	12				
	12.5				
	13				
	13.5				
	14				
	14.5				
	15				
	15.5				
	16				
	16.5				
	17				
	17.5				
	18				
	18.5				
	19				
	19.5				
	20				
	20.5				
	21				
	21.5				
	22				
	22.5				
	23				
	23.5				
	24				
	24.5				
	25				
	25.5				
	26				
	26.5				
	27				
	27.5				
	28				
	28.5				
	29				
	29.5				
	30				
	30.5				
	31				
	31.5				
	32				
	32.5				
	33				
	33.5				
	34				
	34.5				
	35				
	35.5				
	36				
	36.5				
	37				
	37.5				
	38				
	38.5				
	39				
	39.5				
	40				
	40.5				
	41				
	41.5				
	42				
	42.5				
	43				
	43.5				
	44				
	44.5				
	45				
	45.5				
	46				
	46.5				
	47				
	47.5				
	48				
	48.5				
	49				
	49.5				
	50				
	50.5				
	51				
	51.5				
	52				
	52.5				
	53				
	53.5				
	54				
	54.5				
	55				
	55.5				
	56				
	56.5				
	57				
	57.5				
	58				
	58.5				
	59				
	59.5				
	60				
	60.5				
	61				
	61.5				
	62				
	62.5				
	63				
	63.5				
	64				
	64.5				
	65				
	65.5				
	66				
	66.5				
	67				
	67.5				
	68				
	68.5				
	69				
	69.5				
	70				
	70.5				
	71				
	71.5				
	72				
	72.5				
	73				
	73.5				
	74				
	74.5				
	75				
	75.5				
	76				
	76.5				
	77				
	77.5				
	78				
	78.5				
	79				
	79.5				
	80				
	80.5				
	81				
	81.5				
	82				
	82.5				
	83				
	83.5				
	84				
	84.5				
	85				
	85.5				
	86				
	86.5				
	87				
	87.5				
	88				
	88.5				
	89				
	89.5				
	90				
	90.5				
	91				
	91.5				
	92				
	92.5				
	93				
	93.5				
	94				
	94.5				
	95				
	95.5				
	96				
	96.5				
	97				
	97.5				
	98				
	98.5				
	99				
	99.5				
	100				

**TICO**  
 TITLE: DASH COVER ASSEMBLY ISB  
 10  
 SIZE DWG. NO. 91646-A1  
 SCALE: 1:4 | WEIGHT: 7.29 | SHEET 1 OF 1

91646-A1  
 D





DIMENSIONS ARE IN INCHES		NAME	DATE	TICO MANUFACTURING
TOLERANCES:		DRAWN	ADW	04/22/2020
DECIMAL	.0005	CHECKED		44 CYPRESS RIDGE DR.
FRACTIONAL	0.0005	APPROVED		ROCKLAND, NC 28154
ANGULAR	0.1°			TICORACTORS.COM
FUNCTIONAL	0.1°			
INSPECTOR OF CONTRACT COORDINATING		DO NOT SCALE DRAWING		
FOR NAME & DRAWING		THE SUBJECT MATTER SHOWN AND		
		DESCRIBED IN THIS DRAWING AND ANY		
		OTHER REFERENCE TO INVENTIONS		
		CONNECTIONS HEREIN IS TO BE		
		RELIABLE FOR CONSTRUCTION OF THE		
		PROJECT UNLESS OTHERWISE SPECIFIED		
		ALL RIGHTS TO ANY INVENTIONS		
		HEREIN ARE RESERVED BY TICO		
		MANUFACTURING AND CONSTRUCTION		
		AND CONSTRUCTION OF THIS		
		DRAWING ARE RESERVED BY TICO		
		MANUFACTURING AND CONSTRUCTION		
		OF THIS DRAWING		

**TICO**

TICO MANUFACTURING  
44 CYPRESS RIDGE DR.  
ROCKLAND, NC 28154  
TICORACTORS.COM

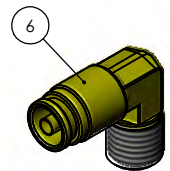
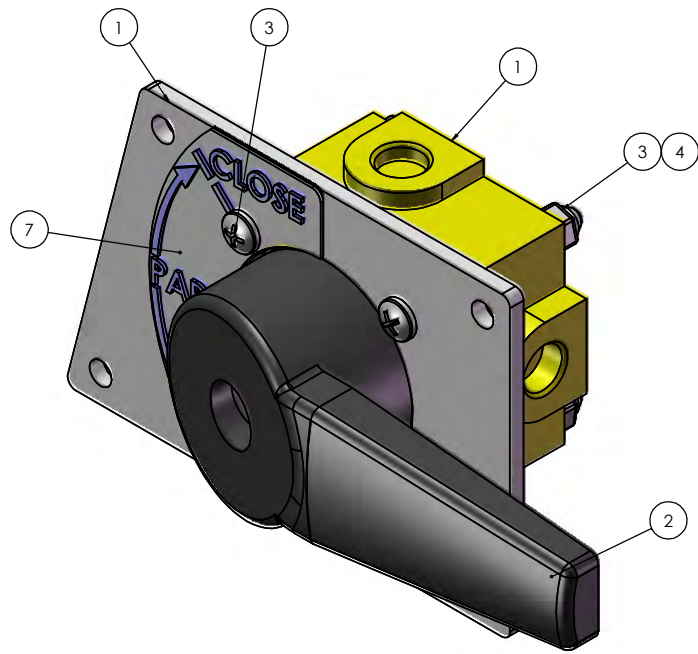
TITLE: **ASSY PANEL DASH GAUGE - 2013-SB MPH SPEEDO INT WIPER**

SIZE DWG. NO. **D 20266-A1** REV

SCALE: 1:2 | WEIGHT: 3.02 | SHEET 1 OF 1

D 20266-A1

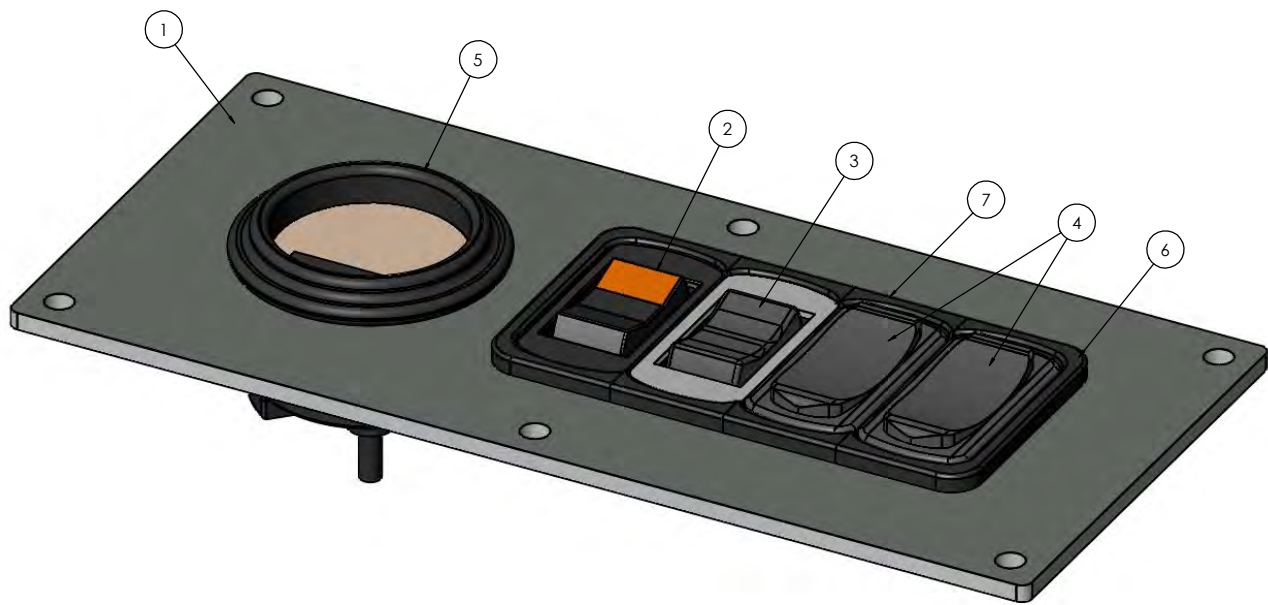
TICO PRO-SPOTTER				
DASH ASS'Y PANEL DASH GUAGE CLUSTER-2013-ISB MPH SPEEDO				20266
ITEM	PART #	QTY/M	DESCRIPTION	NOTE
REF	20266	1	ASSY PANEL DASH GUAGE CLUSTER-2013-ISB MPH SPEEDO	
1	91170	1	PANEL DASH GUAGE CLUSTER	
2	40556K	1	SPEEDOMETER-KPH	
3	90083	1	GAUGE, AIR PRESSURE DUAL-MECH	
4	90085	1	GAUGE, VOLTMETER-12V	
5	90998	1	GAUGE, ENGINE WATER TEMPERTURE-12V	
6	90996	1	GAUGE, ENGINE OIL PRESSURE-12V	
7	62036	1	GAUGE, FUEL CAN-BUS	
8	20092	1	GAUGE, DEF FUEL	
9	90728	1	IND LAMP-LH TURN SIGNAL/WAIT O START	
10	90729	1	IND LAMP-CHECK ENGINE/STOP ENGINE	
11	91647	1	IND LAMP-HEST/DPF	
12	90730	1	IND LAMP-HIGN BEAM/LOW AIR	
13	90733	1	IND LAMP-BLANK (OPTION)	
14	91648	1	IND LAMP-MALFUNCTION/TRANS SER	
15	90732	4	IND LAMP-RH TURN SIGNAL/CHECK TRANS	
16	90733	1	IND LAMP-BLANK (OPTION)	
17	90733	1	IND LAMP-BLANK (OPTION)	
18	90738	1	SWITCH-WORK LIGHT	
19	90747	1	SWITCH-BEACON	
20	90741	1	SWITCH-POSITION NO 3-OPTIONAL	
21	90752	1	SWITCH-HVAC BLOWER ON/OFF	
22	90753	1	SWITCH-HVAC BLOWER LOW/MED/HIGH	
23	91169	REF	SWITCH-INTERMITTENT WIPER/WASHER, 12V	
24	90734	2	MOUNTING BEZEL END V-SERIES (IND)	
25	90735	7	MOUNTING BEZEL MIDDLE V-SERIES (IND)	
26	90755	4	MOUNTING BEZEL END L-SERIES (SWITCH)	
27	90756	3	MOUNTING BEZEL MIDDLE L-SERIES (SWITCH)	
NS	62027	1	HARNESS-DASH GAUGE-2013 ISB	
REV	DATE	BY		SHEET
A	06/04/2020	AGW		1 OF 1



DIMENSIONS ARE IN INCHES		NAME	DATE	TICO MANUFACTURING 44 CYPRESS RIDGE DR. ROCKLAND, SC 29554 TICORACTORS.COM
TOLERANCES:	DECIMAL	DRAWN	ADW	
	.005	CHECKED		
	.010	APPROVED		
	.015	DO NOT SCALE DRAWING		
	.030	THE SUBJECT MATTER SHOWN AND DESCRIBED IN THIS DRAWING AND ANY OTHER INFORMATION CONTAINED IN CONNECTION HEREWITH IS TO BE CONSIDERED AS NOT BEING A CONTRACT AND ALL RIGHTS TO ANY PATENTS, TRADE MARKS, AND COPYRIGHTS RESERVED ARE RESERVED BY TICO MANUFACTURING, INC.		
	.040	TITLE: ASSEMBLY, PANEL DASH DOOR VALVE		
	.050	SIZE	DWG. NO.	REV
	.060	D	20183-A1	
	.070	SCALE: 1:1	WEIGHT:	SHEET 1 OF 1

D 20183-A1

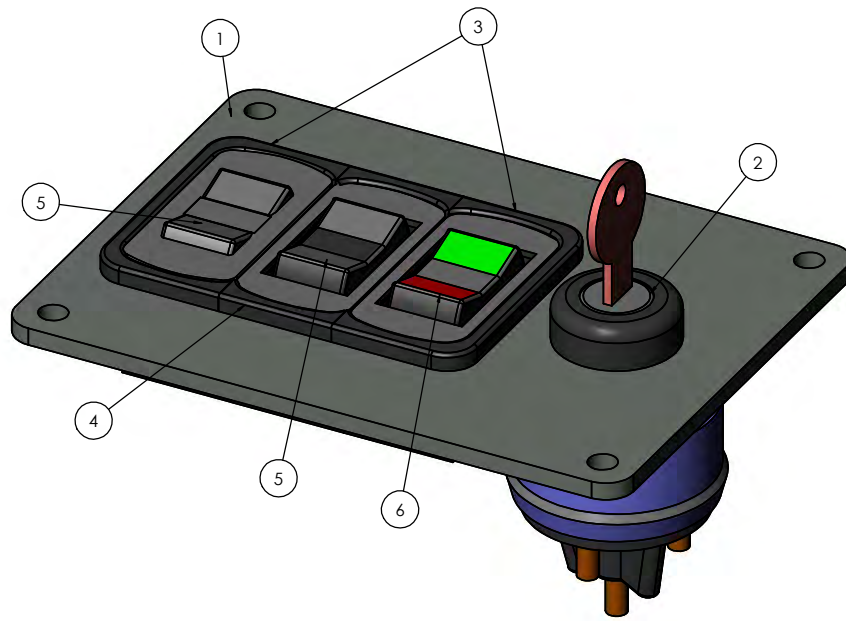




DIMENSIONS ARE IN INCHES		NAME	DATE	TICO MANUFACTURING
TOLERANCES:	DECIMAL	DRAWN	ADW	6/16/22/2020
	.0005	CHECKED		66 CYPRESS RIDGE DR.
	.001	APPROVED		ROCKLAND, NC 27854
	.002			TICORACTORS.COM
	.005			
ANGULAR:	± 1.0°	DO NOT SCALE DRAWING		
FRACTIONAL:	± 1/16"	THE SUBJECT MATTER SHOWN AND		
		DESCRIBED IN THIS DRAWING AND ANY		
		OTHER REFERENCE IS INDICATED IN		
		CONNECTIONS AND DIMENSIONS TO BE		
		REPRODUCED IN FULL OR IN PART		
		WITHOUT THE WRITTEN CONSENT OF		
		TICO MANUFACTURING SHALL BE		
		LIABLE AND COMPENSATED THEREFOR.		
		ALL RIGHTS TO ANY PATENTS, TRADE		
		MARKS AND OTHER RIGHTS RESERVED		
		AND ASSIGNED TO TICO MANUFACTURING, INC.		
TICO		TITLE:		ASSY PANEL
		SIZE:		D
		DWG. NO.:		91607-A1
		SCALE:		1:1
		WEIGHT:		0.50
		SHEET:		1 OF 1

91607-A1





DIMENSIONS ARE IN INCHES		NAME	DATE	TICO MANUFACTURING
TOLERANCES:	DECIMAL	DRAWN	ADW	6/16/22/2020
	.005	CHECKED		44 CYPRESS RIDGE DR.
	.010	APPROVED		ROCKLAND, NC 27854
	.015			TICORACTORS.COM
	.030			
	.060			
	.125			
ANGULAR:	± 1.0°	DO NOT SCALE DRAWING		
FRACTIONAL:	± .010	THE SUBJECT MATTER SHOWN AND		
INSURE GEOMETRIC TOLERANCING		DESCRIBED IN THIS DRAWING AND ANY		
PER ASME Y14.5M-1994		OTHER REFERENCE IS INVOLVED IN		
		CONNECTION HEREWITH IS TO BE		
		RECOGNIZED AS PROPERTY OF TICO		
		ALL RIGHTS TO ANY INVENTIONS		
		HEREIN, INCLUDING PATENT RIGHTS		
		AND ANY OTHER RIGHTS RESERVED		
		ARE RESERVED BY TICO MANUFACTURING		
		CORPORATION		

**TICO**

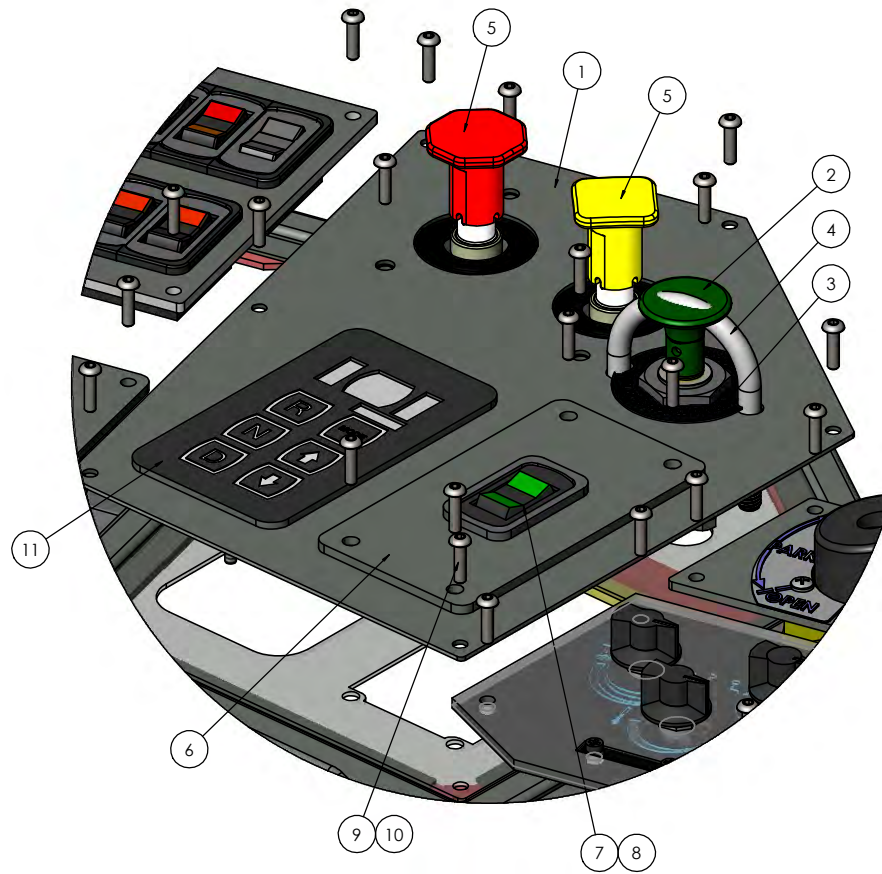
TITLE: PANEL ASSY DASH KEY IGNITION SWITCH-5B10

SIZE: DWG. NO. 91605-A1

SCALE: 1:1 | WEIGHT: 0.38 | SHEET 1 OF 1

D 91605-A1





DIMENSIONS ARE IN INCHES		NAME	DATE	TICO MANUFACTURING
TOLERANCES:	DECIMAL	DRAWN	ADW	6/16/2020
	.0001	CHECKED		66 CYPRESS RIDGE DR.
	.0005	APPROVED		ROCKLAND, SC 29574
	.0010			TICORACTORS.COM
	.0015			
	.0020			
	.0030			
	.0040			
	.0050			
	.0060			
	.0070			
	.0080			
	.0090			
	.0100			
	.0125			
	.0150			
	.0175			
	.0200			
	.0250			
	.0300			
	.0375			
	.0450			
	.0500			
	.0625			
	.0750			
	.0875			
	.1000			
	.1250			
	.1500			
	.1875			
	.2500			
	.3125			
	.3750			
	.4500			
	.5625			
	.7500			
	.9375			
	1.0000			
	1.2500			
	1.5000			
	1.8750			
	2.2500			
	2.6250			
	3.0000			
	3.7500			
	4.5000			
	5.6250			
	7.5000			
	9.3750			
	11.2500			
	14.0625			
	17.5000			
	22.5000			
	28.1250			
	35.0000			
	43.7500			
	54.6875			
	67.5000			
	84.3750			
	105.0000			
	131.2500			
	165.0000			
	206.2500			
	256.8750			
	318.7500			
	395.6250			
	492.0000			
	611.2500			
	757.5000			
	935.6250			
	1159.3750			
	1434.3750			
	1766.8750			
	2173.4375			
	2662.5000			
	3244.3750			
	3929.3750			
	4728.7500			
	5653.1250			
	6713.1250			
	7919.3750			
	9282.5000			
	10813.1250			
	12521.8750			
	14408.7500			
	16473.7500			
	18716.8750			
	21138.1250			
	23737.5000			
	26515.6250			
	29473.1250			
	32610.6250			
	35928.7500			
	39427.1250			
	43106.3750			
	46967.1250			
	51009.1250			
	55232.1250			
	59636.1250			
	64220.8750			
	68986.1250			
	73931.6250			
	79057.1250			
	84362.6250			
	89848.1250			
	95513.6250			
	101359.1250			
	107384.6250			
	113589.1250			
	119972.6250			
	126534.1250			
	133273.6250			
	140191.1250			
	147286.6250			
	154559.1250			
	161998.6250			
	169604.1250			
	177375.6250			
	185312.1250			
	193413.6250			
	201680.1250			
	210111.6250			
	218707.1250			
	227466.6250			
	236389.1250			
	245474.6250			
	254722.1250			
	264131.6250			
	273702.1250			
	283433.6250			
	293325.1250			
	303376.6250			
	313587.1250			
	323956.6250			
	334484.1250			
	345169.6250			
	355992.1250			
	366951.6250			
	378047.1250			
	389279.6250			
	400638.1250			
	412123.6250			
	423735.1250			
	435472.6250			
	447335.1250			
	459322.6250			
	471434.1250			
	483669.6250			
	496028.1250			
	508509.6250			
	521112.1250			
	533835.6250			
	546678.1250			
	559639.6250			
	572719.1250			
	585916.6250			
	599231.1250			
	612662.6250			
	626209.1250			
	639871.6250			
	653648.1250			
	667539.6250			
	681544.1250			
	695662.6250			
	709894.1250			
	724239.6250			
	738697.1250			
	753267.6250			
	767949.1250			
	782742.6250			
	797647.1250			
	812663.6250			
	827791.1250			
	843030.6250			
	858380.1250			
	873840.6250			
	889411.1250			
	905091.6250			
	920881.1250			
	936780.6250			
	952789.1250			
	968907.6250			
	985035.1250			
	1001272.6250			
	1017619.1250			
	1034075.6250			
	1050641.1250			
	1067316.6250			
	1084091.1250			
	1100965.6250			
	1117939.1250			
	1135012.6250			
	1152185.1250			
	1169456.6250			
	1186826.1250			
	1204294.6250			
	1221861.1250			
	1239526.6250			
	1257290.1250			
	1275152.6250			
	1293113.1250			
	1311172.6250			
	1329329.1250			
	1347583.6250			
	1365935.1250			
	1384384.6250			
	1402931.1250			
	1421575.6250			
	1440316.1250			
	1459153.6250			
	1478086.1250			
	1497114.6250			
	1516237.1250			
	1535454.6250			
	1554765.1250			
	1574169.6250			
	1593667.1250			
	1613258.6250			
	1632942.1250			
	1652718.6250			
	1672586.1250			
	1692545.6250			
	1712595.1250			
	1732735.6250			
	1752965.1250			
	1773284.6250			
	1793693.1250			
	1814191.6250			
	1834779.1250			
	1855456.6250			
	1876223.1250			
	1897079.6250			
	1918025.1250			
	1939060.6250			
	1960185.1250			
	1981400.6250			
	2002705.1250			
	2024199.6250			
	2045783.1250			
	2067456.6250			
	2089218.1250			
	2111069.6250			
	2133009.1250			
	2155037.6250			
	2177154.1250			
	2199359.6250			
	2221653.1250			
	2244035.6250			
	2266506.1250			
	2289065.6250			
	2311713.1250			
	2334449.6250			
	2357274.1250			
	2380187.6250			
	2403189.1250			
	2426279.6250			
	2449457.1250			
	2472722.6250			
	2496075.1250			
	2519515.6250			
	2543043.1250			
	2566658.6250			
	2590360.1250			
	2614149.6250			
	2638025.1250			
	2661987.6250			
	2686035.1250			
	2710168.6250			
	2734387.1250			
	2758691.6250			
	2783080.1250			
	2807553.6250			
	2832111.1250			
	2856753.6250			
	2881480.1250			
	2906291.6250			
	2931187.1250			
	2956167.6250			
	2981231.1250			
	2999999.6250			

TICO  
 TITLE: DASH PANEL-PB  
 SHIFTER/HEATER/MV3/ELEC  
 SIZE DWG. NO. 20116-A1  
 SCALE: 1:4 | WEIGHT: 18.03 | SHEET 1 OF 1





DIMENSIONS ARE IN INCHES		NAME	DATE	TICO MANUFACTURING
TOLERANCES:		DRAWN	ADW	04/22/2020
DECIMAL	.005	CHECKED		44 CYPRESS RIDGE DR.
FRACTIONAL	1/32	APPROVED		ROCKLAND, NC 27854
ANGULAR	± 0.1°			TICORACTORS.COM
FUNCTIONAL	± 0.02			
INSURE GEOMETRIC TOLERANCING PER ASME Y14.5M		DO NOT SCALE DRAWING		
UNLESS OTHERWISE SPECIFIED, ALL DIMENSIONS ARE TO BE TAKEN FROM THE UNFINISHED SURFACE UNLESS OTHERWISE SPECIFIED.		THE SUBJECT MATTER SHOWN AND DESCRIBED IN THIS DRAWING AND ANY OTHER INFORMATION CONTAINED HEREIN IS THE PROPERTY OF TICO MANUFACTURING, INC. AND IS TO BE KEPT IN CONFIDENTIALITY. ALL RIGHTS TO ANY PATENTS, TRADEMARKS, AND/OR OTHER INTELLECTUAL PROPERTY ARE RESERVED BY TICO MANUFACTURING, INC.		
TITLE: HEATER CONTROL ASSEMBLY		SIZE	DWG. NO.	REV
		D	20900-A1	
		SCALE: 1:1	WEIGHT: 0.27	SHEET 1 OF 1

D 20900-A1 001

