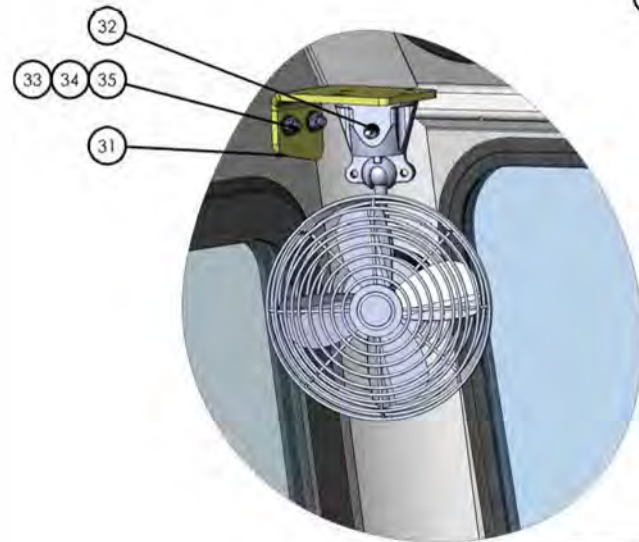
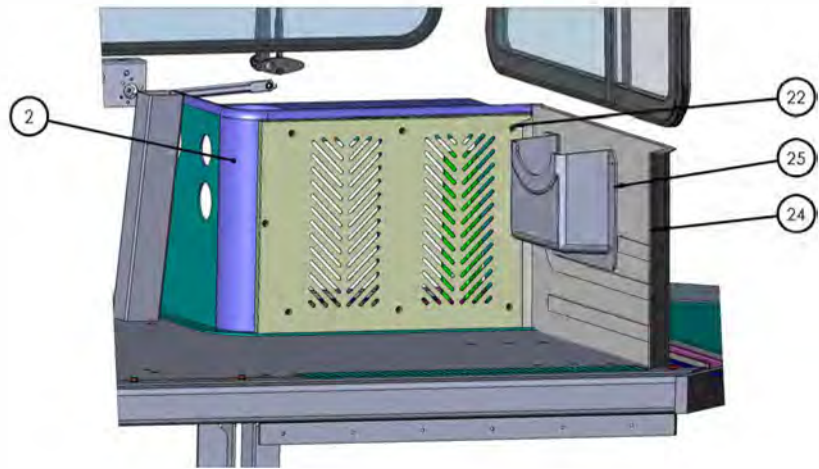
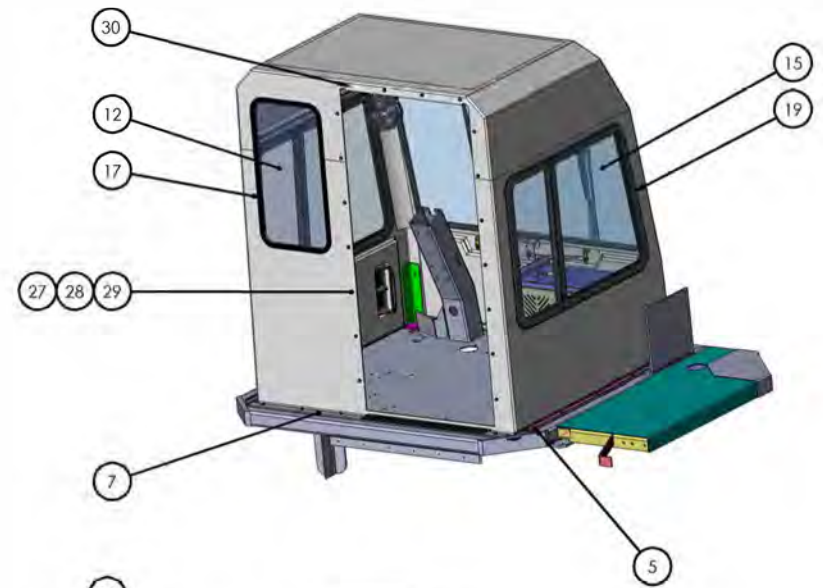
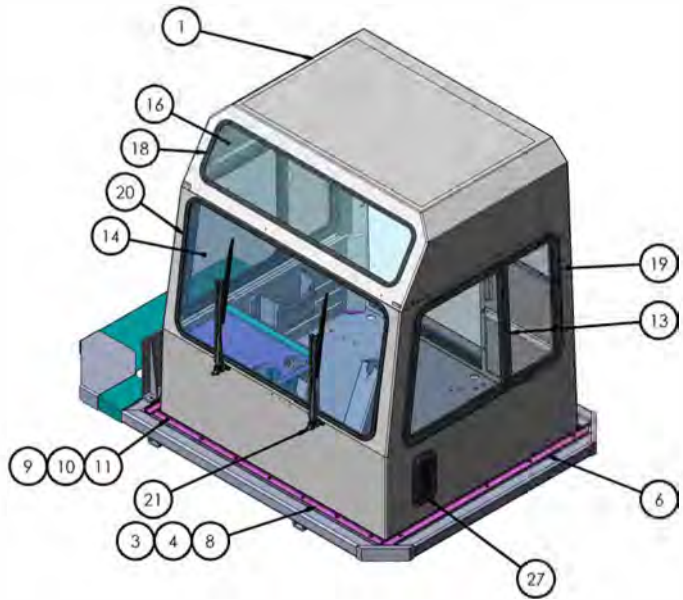




CAB ASSEMBLY
 PAGE 1 OVER VIEW
 PAGE 2 LH FRONT
 RH REAR
 HEATER BOX
 FAN
 PAGE 3-4 PARTLISTS

		TO BE MANUFACTURED AS ORDERED PER-31 BY MACK LUB. CO. 7744 BAO 717 205
MTC CAB, RAISED ROOF, 65" DOOR	REV D	DWG. NO. 721348-81
SCALE: 1:30 WEIGHT: 45734-81-00078 OF 2		REV

D
 721348-81



TITLE CAB, RAISED ROOF, 65" DOOR	DWG. NO. 721348-81	REV D
SCALE 1:30	WEIGHT 1752.13	SHEET 2 OF 2

D 721348-81

TICO PRO-SPOTTER				
CAB ASSEMBLY				721024
ITEM	PART #	QTY/M	DESCRIPTION	
1	920006	1	CAB ASSY - RAISED ROOF, 65" DOOR, 2015, 98" MIRROR	
2	90817-3	1	DOG BOX ACC HEATER/AC	
NS	91903	8	NUT, 10-32 TINNERMAN	
3	90007-1	1	RUBBER STRIP-CAB SEAL 1 1/2"	
4	90193-1	1	CHANNEL CAB HOLD DOWN FRONT	
5	91842	1	CHANNEL, CAB HOLD DOWN RIGHT SIDE	
6	90193-3	1	CHANNEL CAB HOLD DOWN LEFT	
7	91899	1	WELDMENT, ISB 2015 NON SLIP REAR CAB HOLD DOWN	
8	90007-3	1	RUBBER STRIP-CAB SEAL 1 1/4"	
9	82382	21	BOLT-5/16 NC X 1 1/4 LG	
10	85090	42	WASHER, FLAT 5/16 PLATED	
11	85024	21	NUT, 5/16-18 HEX NYLOCK PLATED	
12	90425	1	WINDOW-REAR	
13	920290	1	WINDOW ASSY-LH SIDE, SLIDER, 50/50, DOT W/NON-GLARE GLASS, BLUE/GREEN TINT	
14	90420	1	WINDOW-WINDSHIELD	
15	91931	1	WINDOW ASSY-RH SIDE, SLIDER, 60/40	
16	90421	1	WINDOW-UPPER FRONT	
17	90521-1	1	WEATHERSTRIP-BACK WINDOW (88")	
18	90521-2	1	WEATHERSTRIP-TOP FRNT WINDOW (130")	
19	90521-4	2	WEATHERSTRIP-SIDE BOT WINDOW (2@142"EA)	
20	90521-5	1	WEATHERSTRIP-WINDSHIELD (164")	
NS	90522	70 FT	LOCK STRIP-WINDOW RUBBER	
21	91632	1	WIPER KIT CAB	
22	91902	1	COVER, ACC HEATER BOX	
23	90775	1	SIDE WALL PANEL	
24	90778	1	REMOVEABLE DOCUMENT HOLDER	
NS	90773-1	1	DASH HEATER BOX COVER COMPOSITE	
25	90180	1	VENT-SIDE DOOR	
26	91699	1	DOOR ASSY-65" SWING, BODE	
27	82382	16	BOLT - 5/16 NC X 1 1/4 LG	
28	85090	20	WASHER, FLAT 5/16	
29	85035	20	NUT, 5/16 X 18 NC HEX	
30	82371	4	BOLT - 5/16 NC X 1 LG	
NS	91155	24 FT	SEAL - CLOSED CELL FOAM-DOOR	
NS	91155	2 FT	SEAL - CLOSED CELL FOAM-DOOR	
REV	DATE	BY		SHEET
A	6/17/2020	BRN		1 OF 1

