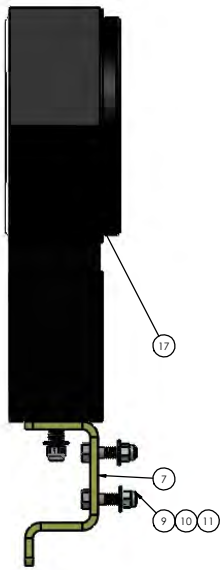
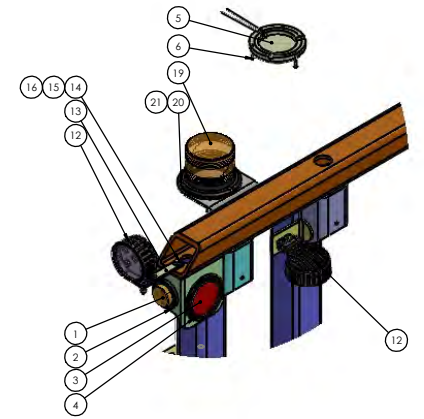


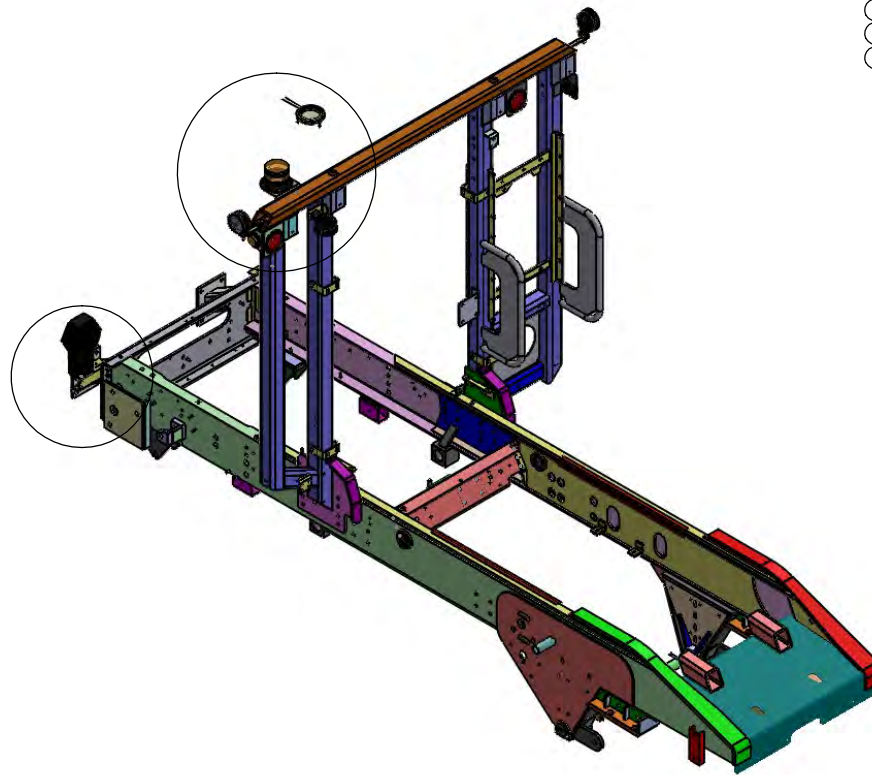
RH HEADLIGHT CLUSTER



LH HEADLIGHT CLUSTER



CAB BAR LIGHT CLUSTER



DIMENSIONS ARE IN INCHES		NAME	DATE	TICO MANUFACTURING
TOLERANCES:	DECIMAL	DRN	5/24/2020	44 CYPRESS RIDGE DR. ROCKLAND, SC 29554 TICORACTORS.COM
	.005	CHKD		
	.010	APPV		
	.015			
	.030			
	.060			
	.125			
ANGULAR:	± .1°	DO NOT SCALE DRAWING		
FRACTIONAL:	± .005	THE SUBJECT MATTER SHOWN AND DESCRIBED IN THIS DRAWING AND ANY OTHER INFORMATION CONTAINED IN CONNECTION HERWITH IS THE PROPERTY OF TICO MANUFACTURING AND IS TO BE KEPT IN CONFIDENCE BY ALL PARTS TO WHOM PROVIDED HEREON. NO INFORMATION FROM THIS DRAWING OR CONTAINED HEREIN ARE TO BE REPRODUCED OR USED FOR ANY OTHER PURPOSE WITHOUT THE WRITTEN PERMISSION OF TICO MANUFACTURING.		
INSURER GEOMETRIC TOLERANCING PER ASME Y14.5M		TITLE: LIGHTS & MOUNTING ASSEMBLY		
DATE:		SIZE	DWG. NO.	REV
REV:		D	721011-A1	
ISSUES:		SCALE: 1/24	WEIGHT:	SHEET 1 OF 1

