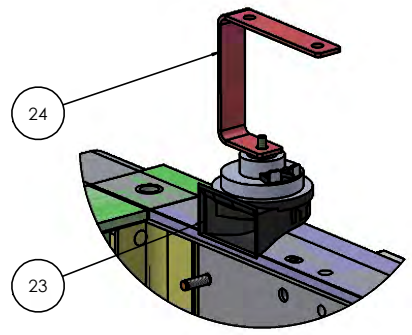
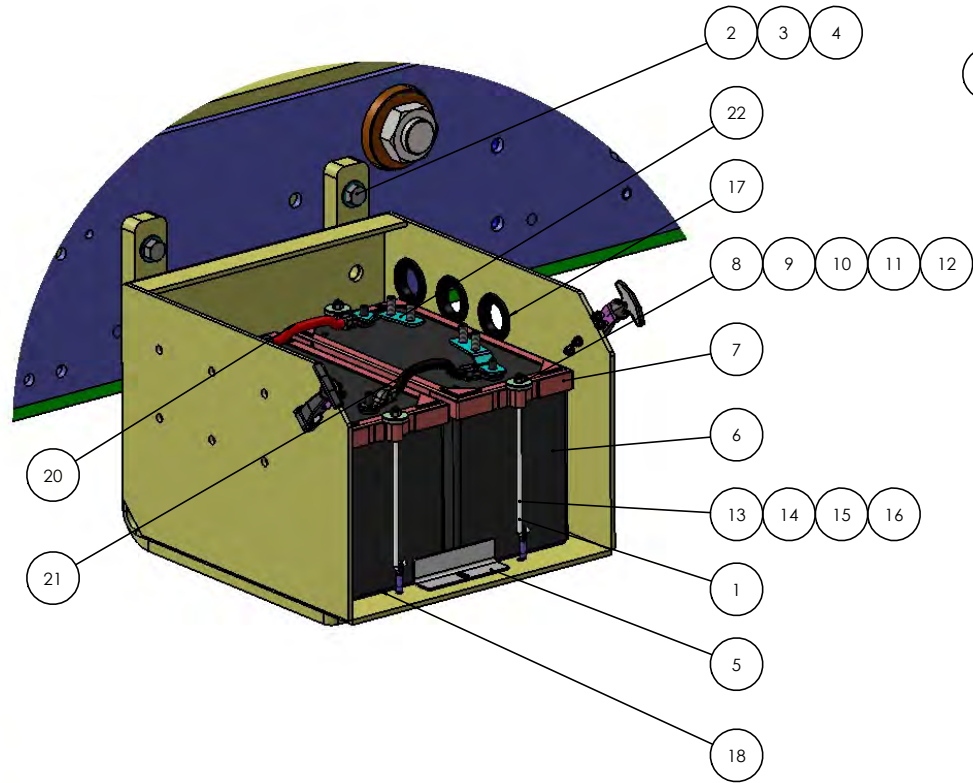


BACKUP ALARM ASS'Y



ELECTRIC HORN
ELECTRIC HORN

DIMENSIONS ARE IN INCHES		NAME	DATE	 TICO MANUFACTURING 44 CYPRESS RIDGE DR. ROCKLAND, SC 29584 TICORACTORS.COM
DESIGNER	DATE	DESIGNED	DATE	
BY: B. BIA	1/11/20	CHECKED		TITLE: 721010 BATTERY BOX ASSEMBLY SIZE: DWG. NO. REV D 721010 BATTERY BOX ASSEMBLY SHEET 1 OF 1
XXX & CO.		APPROVED		
XXX & CO.		DO NOT SCALE DRAWING		
FUNCTIONAL	1/11/20	THE SUBJECT MATTER SHOWN AND DESCRIBED IN THIS DRAWING AND ANY OTHER INFORMATION CONTAINED HEREIN IS THE PROPERTY OF TICO MANUFACTURING, INC. ALL RIGHTS TO ANY PATENTS, TRADEMARKS, AND/OR COPYRIGHTS ARE RESERVED BY TICO MANUFACTURING, INC.		
SCALE: 1:20	WEIGHT:			

721010 BATTERY BOX ASSEMBLY

TICO PRO-SPOTTER

ZBATTERY & WIRING - 2015-ISB, 2-925CCA BATTS, STANDARD BACK-UP, 178" WB

721010

ITEM	PART #	QTY/M	DESCRIPTION	
	71404A	REF		
1	20319	1	ASS'Y, ISB 2015 BATTERY BOX	
2	82474	4	BOLT, 5/8 -11 x 3.5 Lg - BATTERY BOX to FRM	
3	85028	4	LOCKNUT NYLOK, 5/8-11	
4	85094	8	WASHER, FLAT 5/8	
5	12070	1	BRACKET, BATTERY STOP	
6	91814	2	BATTERY-31 SERIES, 730 CCA, 12V	
7	20075	2	BATTERY HOLD DOWN	
8	20012	4	ASSEMBLY, J-BOLT	
9	20012-1	4	J-BOLT x 1/4-20 - BATTERY HOLD DOWN	
10	80129	4	WASHER, FENDER 1/4-20	
11	85023	4	NUT, NYLOCK 1/4-20	
12	20077	4	COUPLING, EYE 1/4-20	
13	20012-4	4	WASHER, .25 x 1.25 x .88 GRAY PLASTIC	
14	85111	8	WASHER, FLAT 1/4	
15	82381	4	BOLT, HEX 1/4-20 X 1-1/4	
16	85133	4	LOCKWASHER, 1/4	
17	90114	2	GROMMET	
18	40210-2	2	RUBBER MAT	
NS	85133	4	LOCKWASHER, 1/4	
19	91250	1	BACKUP ALARM ASSEMBLY, STANDARD, VELVAC	
NS	80129	2	WASHER, FENDER 1/4-20 x 1 1/4 OD	
NS	85111	2	WASHER, FLAT 1/4	
NS	85133	2	LOCKWASHER, 1/4	
NS	85023	2	NUT, HEX NYLOK 1/4-20	
20	90843	1	CABLE - 3/0 RED BATTERY JUMPER 8.75" LG	
21	90844	1	CABLE - 3/0 BLK BATTERY JUMPER 8.75" LG	
NS	91224	1	CABLE - 3/0 RED BATTERY to STARTER 46" Lg	
NS	91525	1	CABLE - 3/0 RED BATTERY to PDC 41-1/2" Lg	
NS	91516	1	CABLE - 3/0 BLK BATTERY to PDC 44" Lg	
NS	91223	1	CABLE - 3/0 BLK BATTERY to STARTER 56" Lg	
22	90957	2	BATTERY BUSS BAR	
NS	62410	1	HARNESS - CHASSIS PDC ISB13, SEALED POWER CONNECTIONS	
23	90207	1	HORN, ELECTRIC	
24	62265	1	BRACKET - C, FRAME WIRING STANDOFF	
REV	DATE	BY		SHEET
A	5/26/2020	AGW		1 OF 2

