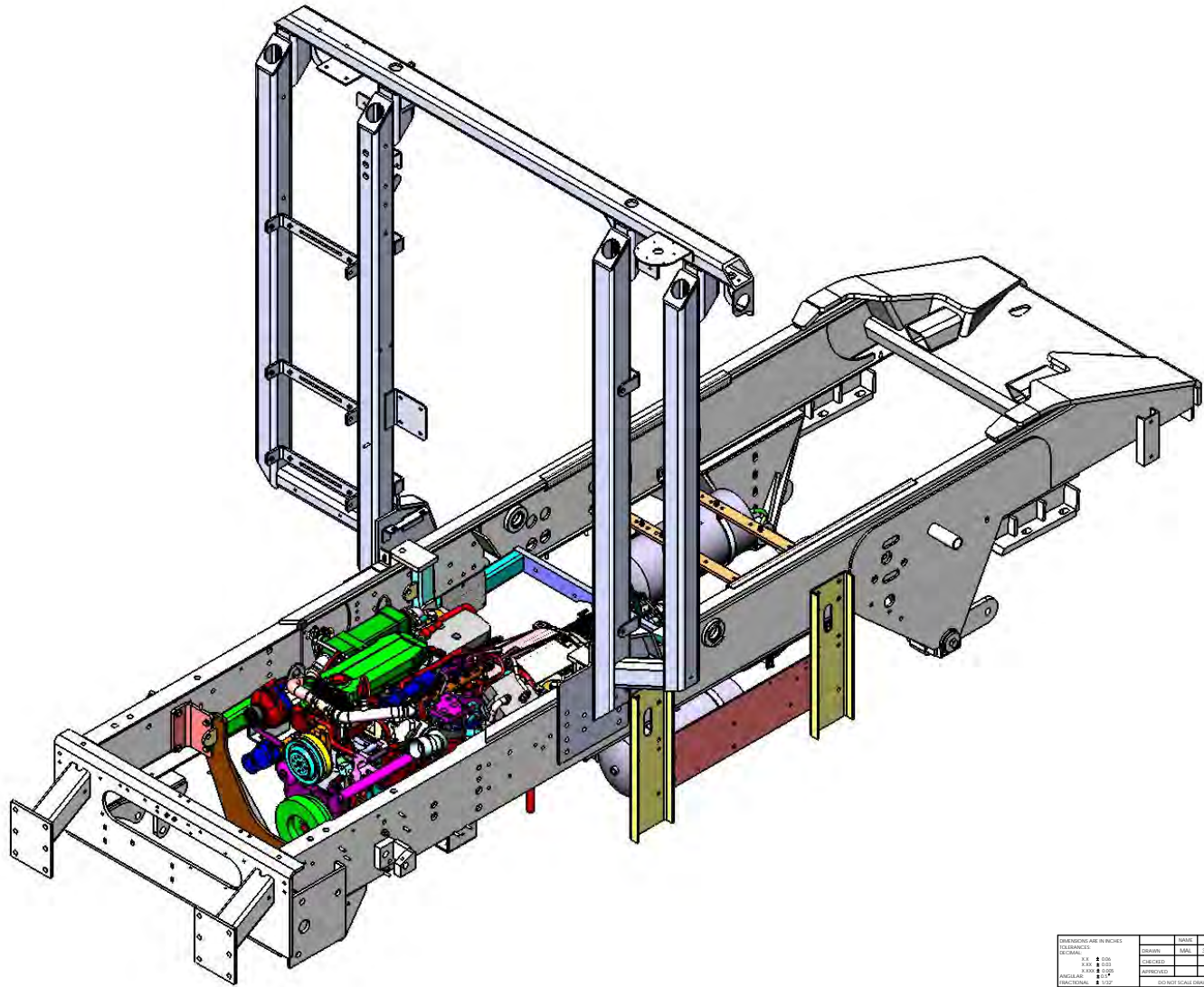


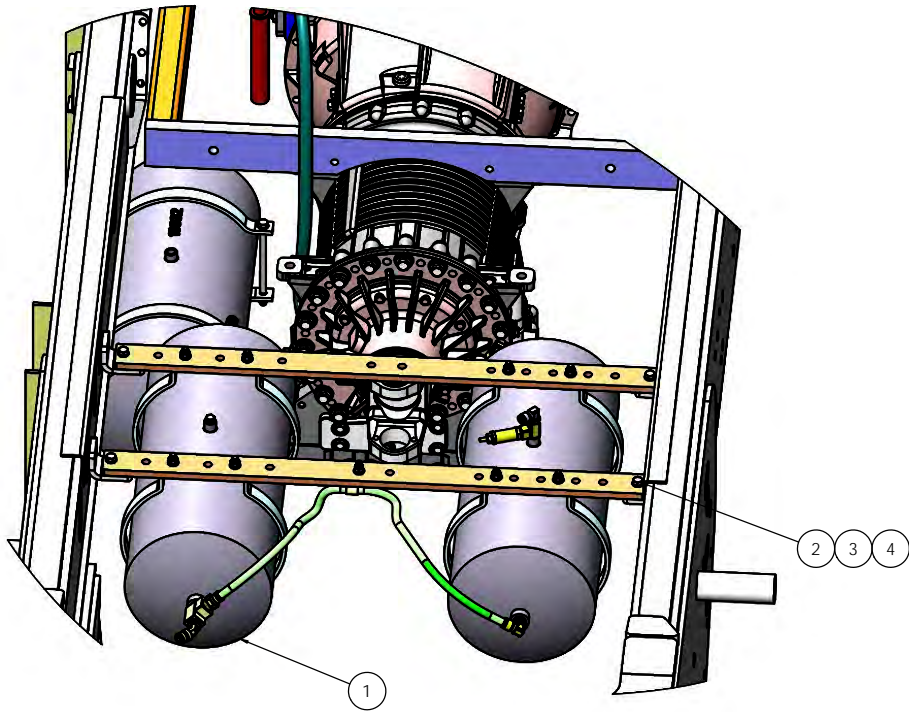
TRACTOR PROTECTION VALVE TP-3



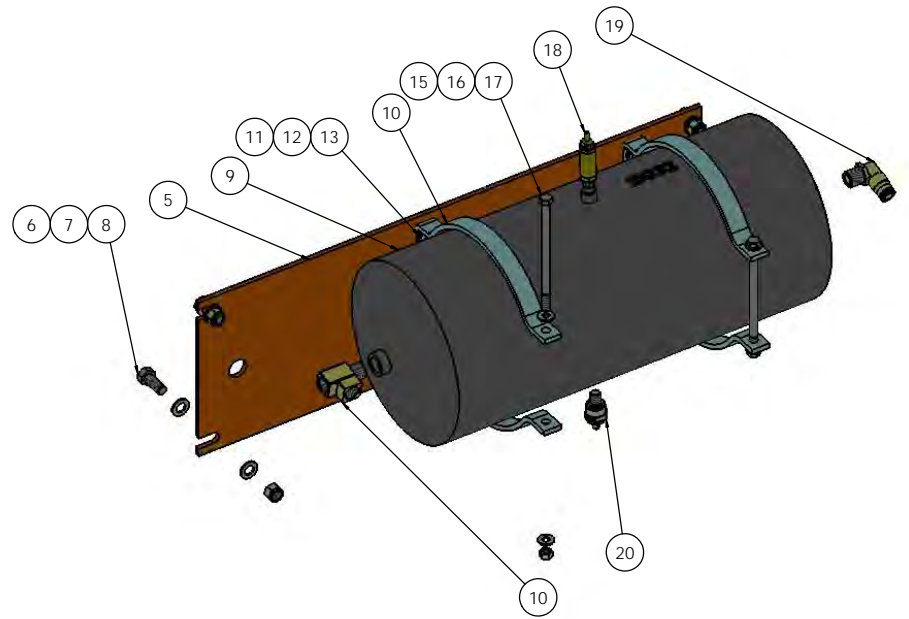
AIR SYSTEM-2016, OFF ROAD
 PAGE 1 GENERAL OVERVIEW
 PAGE 2-3 DETAIL PAGES
 PAGE 4-8 PARTS LIST

REV	DATE	BY	CHKD	APP'D	DESCRIPTION
1	1/1/2016				ISSUED FOR MANUFACTURE
2	1/1/2016				ISSUED FOR MANUFACTURE
3	1/1/2016				ISSUED FOR MANUFACTURE
4	1/1/2016				ISSUED FOR MANUFACTURE
5	1/1/2016				ISSUED FOR MANUFACTURE
6	1/1/2016				ISSUED FOR MANUFACTURE
7	1/1/2016				ISSUED FOR MANUFACTURE
8	1/1/2016				ISSUED FOR MANUFACTURE
9	1/1/2016				ISSUED FOR MANUFACTURE
10	1/1/2016				ISSUED FOR MANUFACTURE
11	1/1/2016				ISSUED FOR MANUFACTURE
12	1/1/2016				ISSUED FOR MANUFACTURE
13	1/1/2016				ISSUED FOR MANUFACTURE
14	1/1/2016				ISSUED FOR MANUFACTURE
15	1/1/2016				ISSUED FOR MANUFACTURE
16	1/1/2016				ISSUED FOR MANUFACTURE
17	1/1/2016				ISSUED FOR MANUFACTURE
18	1/1/2016				ISSUED FOR MANUFACTURE
19	1/1/2016				ISSUED FOR MANUFACTURE
20	1/1/2016				ISSUED FOR MANUFACTURE
21	1/1/2016				ISSUED FOR MANUFACTURE
22	1/1/2016				ISSUED FOR MANUFACTURE
23	1/1/2016				ISSUED FOR MANUFACTURE
24	1/1/2016				ISSUED FOR MANUFACTURE
25	1/1/2016				ISSUED FOR MANUFACTURE
26	1/1/2016				ISSUED FOR MANUFACTURE
27	1/1/2016				ISSUED FOR MANUFACTURE
28	1/1/2016				ISSUED FOR MANUFACTURE
29	1/1/2016				ISSUED FOR MANUFACTURE
30	1/1/2016				ISSUED FOR MANUFACTURE
31	1/1/2016				ISSUED FOR MANUFACTURE
32	1/1/2016				ISSUED FOR MANUFACTURE
33	1/1/2016				ISSUED FOR MANUFACTURE
34	1/1/2016				ISSUED FOR MANUFACTURE
35	1/1/2016				ISSUED FOR MANUFACTURE
36	1/1/2016				ISSUED FOR MANUFACTURE
37	1/1/2016				ISSUED FOR MANUFACTURE
38	1/1/2016				ISSUED FOR MANUFACTURE
39	1/1/2016				ISSUED FOR MANUFACTURE
40	1/1/2016				ISSUED FOR MANUFACTURE
41	1/1/2016				ISSUED FOR MANUFACTURE
42	1/1/2016				ISSUED FOR MANUFACTURE
43	1/1/2016				ISSUED FOR MANUFACTURE
44	1/1/2016				ISSUED FOR MANUFACTURE
45	1/1/2016				ISSUED FOR MANUFACTURE
46	1/1/2016				ISSUED FOR MANUFACTURE
47	1/1/2016				ISSUED FOR MANUFACTURE
48	1/1/2016				ISSUED FOR MANUFACTURE
49	1/1/2016				ISSUED FOR MANUFACTURE
50	1/1/2016				ISSUED FOR MANUFACTURE
51	1/1/2016				ISSUED FOR MANUFACTURE
52	1/1/2016				ISSUED FOR MANUFACTURE
53	1/1/2016				ISSUED FOR MANUFACTURE
54	1/1/2016				ISSUED FOR MANUFACTURE
55	1/1/2016				ISSUED FOR MANUFACTURE
56	1/1/2016				ISSUED FOR MANUFACTURE
57	1/1/2016				ISSUED FOR MANUFACTURE
58	1/1/2016				ISSUED FOR MANUFACTURE
59	1/1/2016				ISSUED FOR MANUFACTURE
60	1/1/2016				ISSUED FOR MANUFACTURE
61	1/1/2016				ISSUED FOR MANUFACTURE
62	1/1/2016				ISSUED FOR MANUFACTURE
63	1/1/2016				ISSUED FOR MANUFACTURE
64	1/1/2016				ISSUED FOR MANUFACTURE
65	1/1/2016				ISSUED FOR MANUFACTURE
66	1/1/2016				ISSUED FOR MANUFACTURE
67	1/1/2016				ISSUED FOR MANUFACTURE
68	1/1/2016				ISSUED FOR MANUFACTURE
69	1/1/2016				ISSUED FOR MANUFACTURE
70	1/1/2016				ISSUED FOR MANUFACTURE
71	1/1/2016				ISSUED FOR MANUFACTURE
72	1/1/2016				ISSUED FOR MANUFACTURE
73	1/1/2016				ISSUED FOR MANUFACTURE
74	1/1/2016				ISSUED FOR MANUFACTURE
75	1/1/2016				ISSUED FOR MANUFACTURE
76	1/1/2016				ISSUED FOR MANUFACTURE
77	1/1/2016				ISSUED FOR MANUFACTURE
78	1/1/2016				ISSUED FOR MANUFACTURE
79	1/1/2016				ISSUED FOR MANUFACTURE
80	1/1/2016				ISSUED FOR MANUFACTURE
81	1/1/2016				ISSUED FOR MANUFACTURE
82	1/1/2016				ISSUED FOR MANUFACTURE
83	1/1/2016				ISSUED FOR MANUFACTURE
84	1/1/2016				ISSUED FOR MANUFACTURE
85	1/1/2016				ISSUED FOR MANUFACTURE
86	1/1/2016				ISSUED FOR MANUFACTURE
87	1/1/2016				ISSUED FOR MANUFACTURE
88	1/1/2016				ISSUED FOR MANUFACTURE
89	1/1/2016				ISSUED FOR MANUFACTURE
90	1/1/2016				ISSUED FOR MANUFACTURE
91	1/1/2016				ISSUED FOR MANUFACTURE
92	1/1/2016				ISSUED FOR MANUFACTURE
93	1/1/2016				ISSUED FOR MANUFACTURE
94	1/1/2016				ISSUED FOR MANUFACTURE
95	1/1/2016				ISSUED FOR MANUFACTURE
96	1/1/2016				ISSUED FOR MANUFACTURE
97	1/1/2016				ISSUED FOR MANUFACTURE
98	1/1/2016				ISSUED FOR MANUFACTURE
99	1/1/2016				ISSUED FOR MANUFACTURE
100	1/1/2016				ISSUED FOR MANUFACTURE

WECO
 TITLE: AIR SYSTEM-2016, OFF RD.
 DUAL SYS, 3 TANKS
 SIZE: DWG. NO. 721008-81 REV
 D SCALE: 1:24 WEIGHT: 959.41 SHEET 1 OF 3



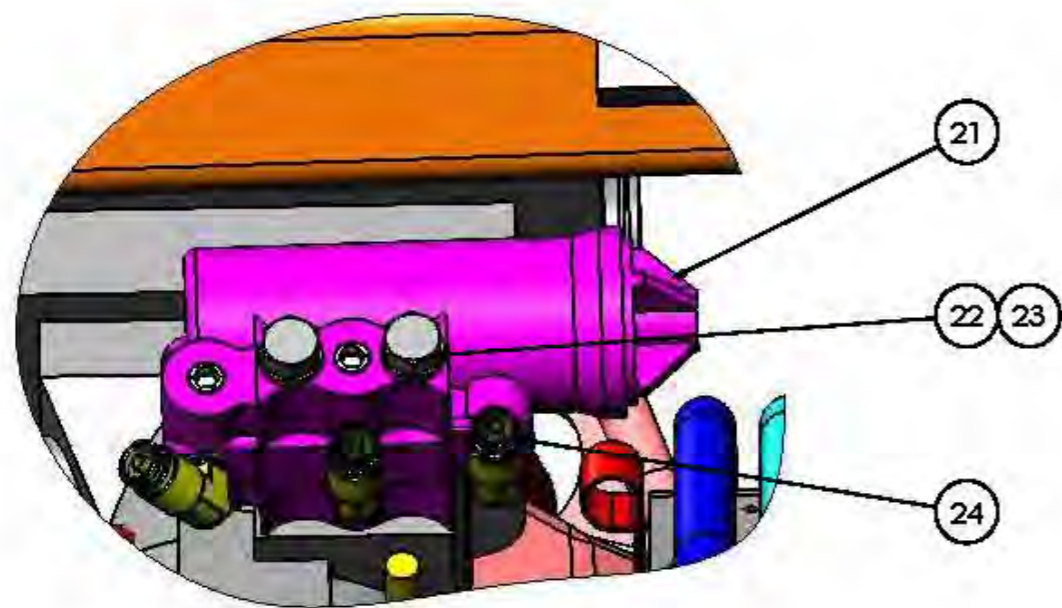
TWO AIR TANKS
ASSEMBLY



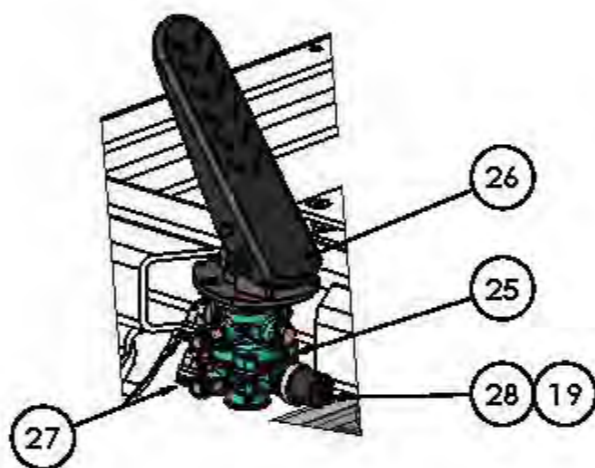
3RD AIR RESERVOIR

DIMENSIONS ARE IN INCHES TOLERANCES: DECIMALS: .0000 - .0005 .0005 - .0010 .0010 - .0015 .0015 - .0020 ANGULAR: FRACTIONS: ± 1/2°	NAME: MAL DATE: 3/8/2018 CHECKED: APPROVED: DOTTED SCALE DRAWING THE SUBCUT PARTS SHOWN AND DESCRIBED IN THE DRAWING ARE NOT TO BE USED IN THE ASSEMBLY OF THIS EQUIPMENT UNLESS THEY ARE IDENTICAL TO THE ORIGINALS OR ALL RIGHTS TO ANY PATENTS OR OTHER INTELLECTUAL PROPERTY RIGHTS ARE CONFERRED TO THE ORIGINAL MANUFACTURER. THIS DRAWING IS THE PROPERTY OF WIPAC AND IS NOT TO BE REPRODUCED OR TRANSMITTED IN ANY FORM OR BY ANY MEANS, ELECTRONIC OR MECHANICAL, INCLUDING PHOTOCOPYING, RECORDING, OR BY ANY INFORMATION STORAGE AND RETRIEVAL SYSTEM, WITHOUT THE WRITTEN PERMISSION OF WIPAC.	TITLE: AIR SYSTEM-2016, OFF ROAD, DUAL SYS. 3 TANKS SIZE: D DWG. NO.: 721008-81 SCALE: 1:24 [WEIGHT: 6356.35] OF 3	TICO MANUFACTURING INC. CYPRESS, TEXAS 77429 (843) 717-2226
---	---	--	---

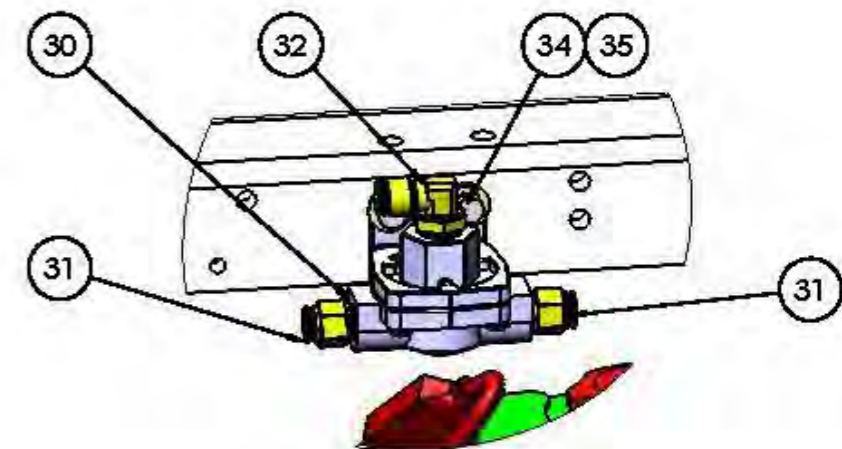
721008-81



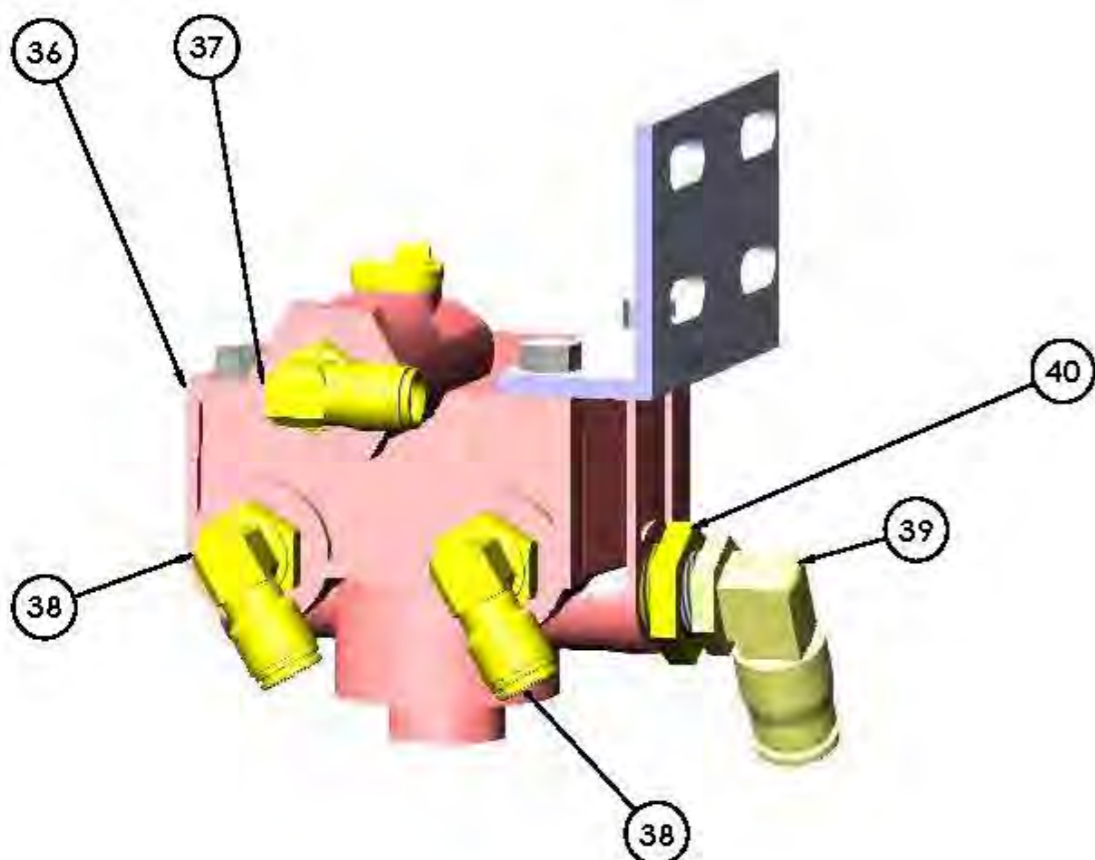
GOVERNOR-D2



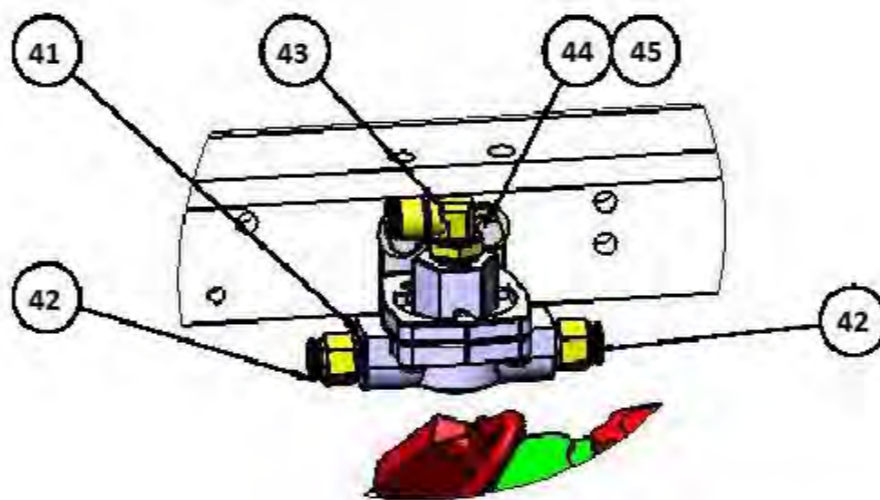
BRAKE PEDAL ASSEMBLY



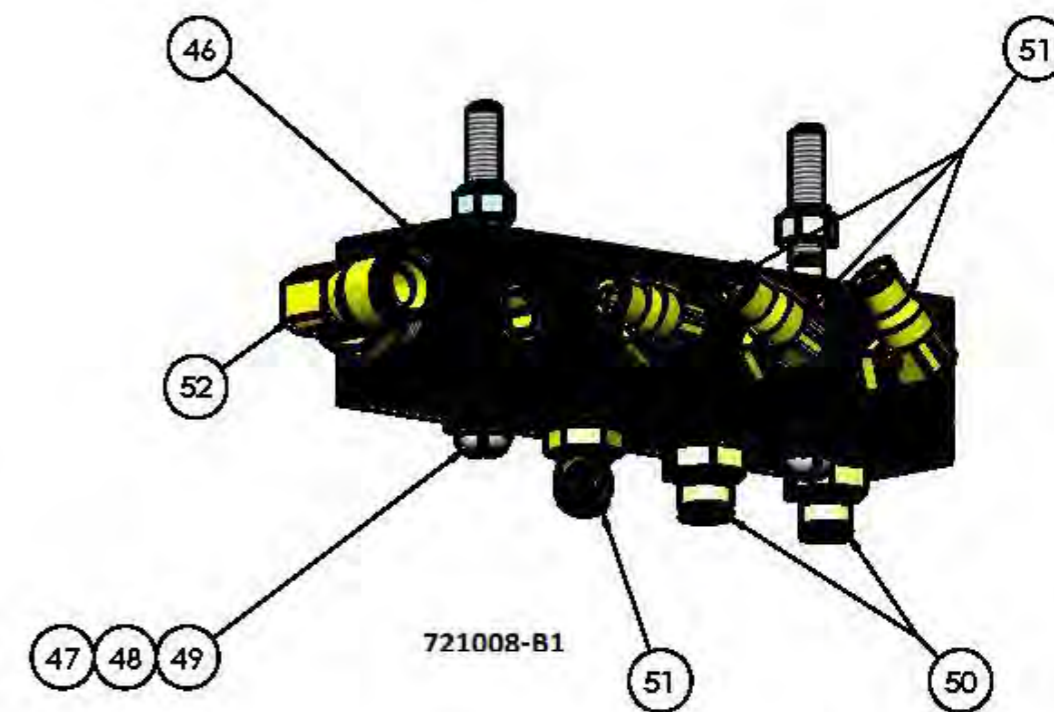
QR-1 QUICK RELEASE BRAKE VALVE



VALVE RELAY R-14 W/BACKET



QR-1 QUICK RELEASE BRAKE VALVE



MANIFOLD ASSEMBLY
AIR

DESCRIPTION	QTY	UNIT	DATE
MANIFOLD ASSEMBLY AIR	1	ASSEMBLY	08/2010
DESIGNER			
CHECKED			
APPROVED			
DATE			
REV			
REV 1			
REV 2			
REV 3			
REV 4			
REV 5			
REV 6			
REV 7			
REV 8			
REV 9			
REV 10			
REV 11			
REV 12			
REV 13			
REV 14			
REV 15			
REV 16			
REV 17			
REV 18			
REV 19			
REV 20			
REV 21			
REV 22			
REV 23			
REV 24			
REV 25			
REV 26			
REV 27			
REV 28			
REV 29			
REV 30			
REV 31			
REV 32			
REV 33			
REV 34			
REV 35			
REV 36			
REV 37			
REV 38			
REV 39			
REV 40			
REV 41			
REV 42			
REV 43			
REV 44			
REV 45			
REV 46			
REV 47			
REV 48			
REV 49			
REV 50			
REV 51			
REV 52			
REV 53			
REV 54			
REV 55			
REV 56			
REV 57			
REV 58			
REV 59			
REV 60			
REV 61			
REV 62			
REV 63			
REV 64			
REV 65			
REV 66			
REV 67			
REV 68			
REV 69			
REV 70			
REV 71			
REV 72			
REV 73			
REV 74			
REV 75			
REV 76			
REV 77			
REV 78			
REV 79			
REV 80			
REV 81			
REV 82			
REV 83			
REV 84			
REV 85			
REV 86			
REV 87			
REV 88			
REV 89			
REV 90			
REV 91			
REV 92			
REV 93			
REV 94			
REV 95			
REV 96			
REV 97			
REV 98			
REV 99			
REV 100			

TICO PRO-SPOTTER				
AIR SYSTEM 2015, DOT 121, 3TANK,NO ABS, NO FRAME DRAIN				721008
ITEM	PART #	QTY/M	DESCRIPTION	
1	42087	1	ASSEMBLY, AIR TANK, TWO TANKS	
2	82394	9	BOLT, HEX 3/8-16 X 1 1/2 Lg	
3	85102	26	WASHER, 3/8	
4	85025	13	LOCKNUT, NYLOCK 3/8-16	
5	12336	1	PLATE-RESERVOIR MOUNTING	
6	82385	4	BOLT, HEX 1/2-13 x 1 1/4 Lg	
7	85115	8	WASHER, FLAT 1/2	
8	85027	4	LOCKNUT, 1/2-13	
9	10032	1	RESERVOIR, AIR	
10	40393-1	4	BRACKET- AIR RESERVOIR MOUNT	
11	82394	4	BOLT, HEX 3/8-16x 1 1/2 Lg	
12	85102	8	WASHER, FLAT 3/8	
13	85025	4	LOCKNUT 3/8-16 NYLOK	
14	42265	1	FITTING, ELBOW 90°, BRASS 1/2 TUBE X 1/2 NPT	
15	82603	4	BOLT, HEX 3/8-16 X 6 1/2 Lg	
16	85115	4	WASHER, FLAT 1/2	
17	85025	4	LOCKNUT 3/8-16 NYLOK	
18	40022	1	VALVE, AIR PRESSURE RELEASE	
19	40817	1	ELBOW, 90 Deg STREET 1/2 NPT TO 1/2 FPT	
20	40148	1	VALVE AIR TANK DRAIN	
NS	12357	2	SUPPORT BAR, AIR TANK	
NS	10032	2	RESERVOIR, AIR-10	
NS	40393-1	8	BRACKET- AIR RESERVOIR MOUNT	
NS	40832	1	PUSH CONNECT, BRASS STR 1/2 MPT to 1/2 TUBE	
NS	42064	2	PUSH CONNECT, 90 Deg 1/2 MPT to 1/2 TUBE	
NS	40900	1	TEE, BRASS STREET - 1/4 NPT	
NS	40822	1	PUSH CONNECT, 45 Deg 1/2 MPT x 1/2 TUBE	
NS	40824	1	PLUG, HEX HD 1/4" NPT	
NS	40826	1	CLAMP, LOOM 1/2"	
NS	40029-1	1	VALVE CHECK AIRTANK (NEWSTYLE)	
NS	42063	2	PUSH CONNECT, 90 Deg 1/4 MPT to 3/8 TUBE	
NS	40817	1	ELBOW, 90 Deg STREET 1/2 NPT TO 1/2 FPT	
NS	40848	1	TEE, BRASS STREET 1/2 NPT	
NS	41076	1	TUBE, 1/2x 20" Lg	
21	60023	1	GOVERNOR-D2 W/GASKET & 3 PLUGS	
22	80308	2	CAPSCREW-M8 X 1.25 X 70 LG	
23	85134	2	L'WASHER-5/16	
24	40029-1	1	CHECK VALVE, AIR TANK	
NS	40148	1	VALVE, AIR TANK DRAIN	
NS	40857	3	FITTING, ELBOW 90°, BRASS 1/4 TUBE X 1/8 NPT	
REV	DATE	BY		SHEET
B1	9/18/19	REB		1 OF 4

TICO PRO-SPOTTER				
AIR SYSTEM 2015, DOT 121, 3TANK,NO ABS, NO FRAME DRAIN				721008
ITEM	PART #	QTY/M	DESCRIPTION	
46	10949	1	MANIFOLD-ASS'Y AIR	
47	82459	2	CAPSCREW-5/16-18 X 3 LG HEX HD	
48	80232	2	WASHER, FLAT 5/16	
49	85209	2	LOCKNUT, 5/16-18	
50	42133	1	FITTING, ELBOW 45° BRASS, 3/8 TUBE X 1/2 NPT, SWIVEL	
NS	42090	1	FITTING, REDUCER BRASS 1/2NPT TO 1/4 NPT	
51	40833	2	FITTING, STR BRASS, 1/4 TUBE X 3/8 NPT	
52	40887	3	FITTING, ELBOW 90° BRASS 1/4 TUBE X 3/8 NPT, SWIVEL	
53	40841	3	FITTING, PIPE PLUG, BRASS HEX 3/8 NPT	
54	80163	1	FITTING, PIPE PLUG, BRASS HEX 1/2 NPT	
55	40635	1	VALVE-TRACTOR PROTECTION TP-3DC	
56	82459	2	BOLT-5/16 X 3 LG	
57	85090	4	WASHER-5/16	
58	85035	2	NUT-5/16	
59	90078	1	SWITCH-PRESSURE, STOP LIGHT, BENDIX SL-5	
60	42208	1	FITTING, STREET ELBOW 90°, 1/4 NPT	
61	42063	1	FITTING, ELBOW 90° BRASS, 3/8 TUBE X 1/4 NPT	
62	40823	1	FITTING, ELBOW 90° BRASS, 3/8 TUBE X 3/8 NPT	
63	40906	1	FITTING, NIPPLE-HEX BRASS, 3/8 NPT	
64	42240	1	FITTING, ELBOW 90° BRASS, 3/8 TUBE X 3/8 NPTF	
65	50038-1	1	GLADHAND-BLUE	
66	50039-1	1	GLADHAND-RED	
NS	50038-1	2	GLADHAND-BLUE	
NS	50039-1	2	GLADHAND-RED	
NS	50303	2	HOSE ASSY - TRAILER AIR, 3/8 X 15 FT	
NS	10356	1	SPRING	
NS	40080	1	CLAMP, TRAILER HOSE, 3 CAVITY	
NS	40799	2	FITTING, CLOSE NIPPLE BRASS, 1/2 NPT	
NS	40899	2	FITTING, STREET ELBOW 90° BRASS, 1/2 NPT	
NS	91272	1	SWITCH, PRESSURE, LOW AIR WARNING	
NS	42298	1	FITTING - FEMALE BRANCH TEE, BRASS, 1/4 TUBE X 1/4 NPT	
NS	91271	1	BUZZER, LOW AIR PRESSURE, 75-95 Dba	
NS	40771	1	VALVE-PRESSURE PROTECTION 70 PSI	
REV	DATE	BY		SHEET
B1	9/18/19	REB		3 OF 4

