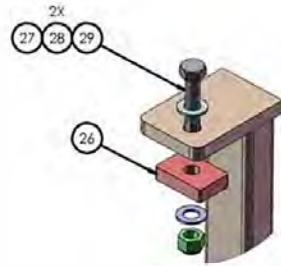
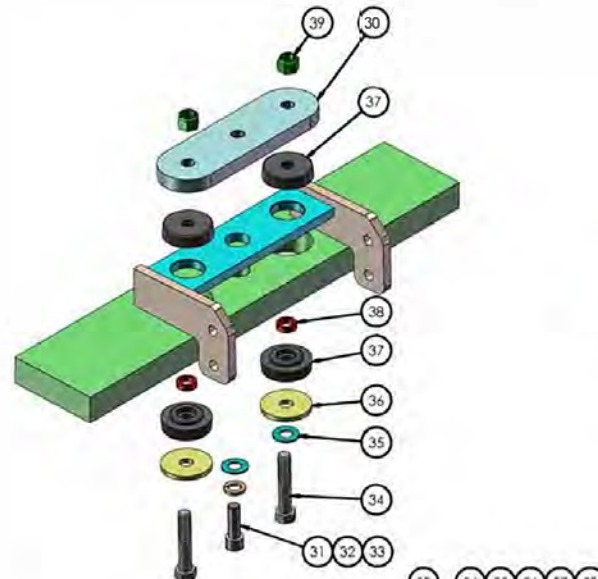




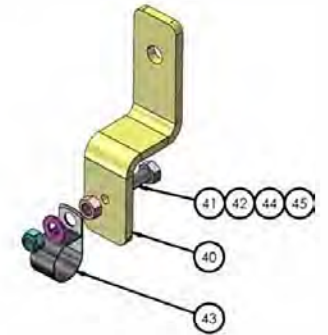
DETAIL D
SCALE 2 : 3



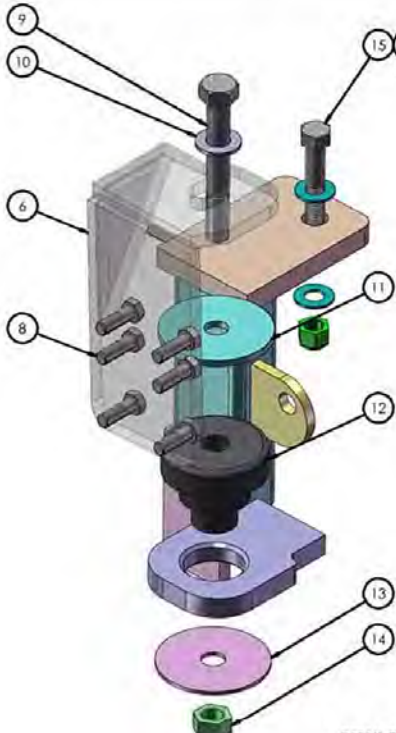
DETAIL G
SCALE 1 : 3



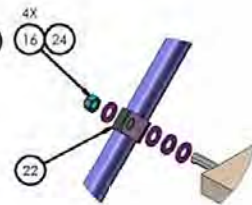
DETAIL H
SCALE 1 : 3



DETAIL I
SCALE 2 : 3



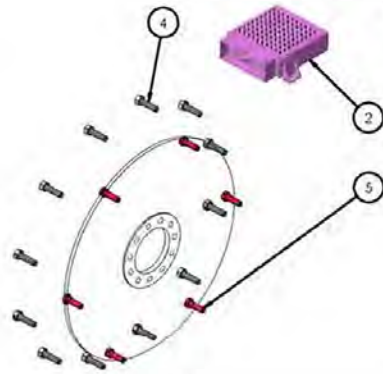
DETAIL C
SCALE 1 : 2



DETAIL E
SCALE 1 : 2



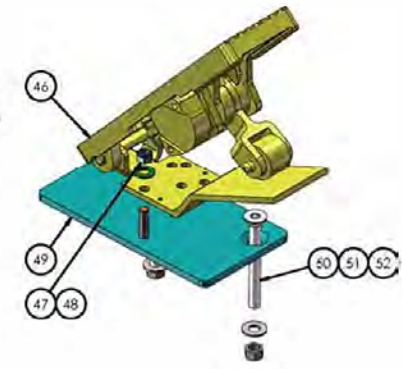
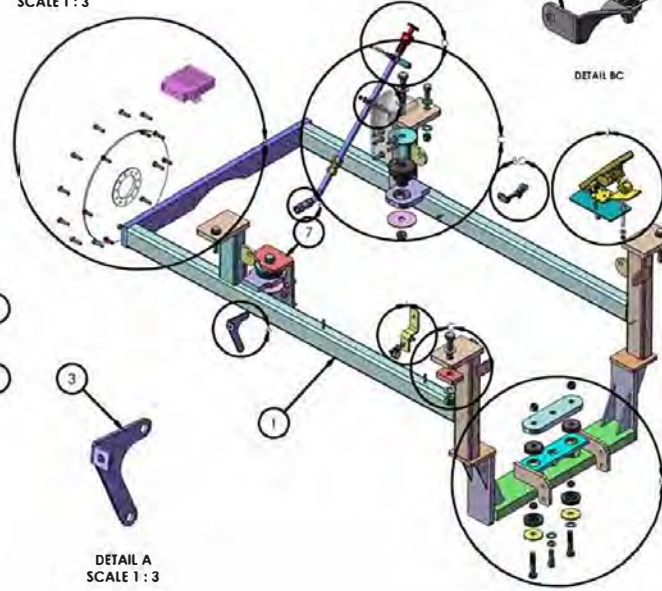
DETAIL F
SCALE 1 : 3



DETAIL B
SCALE 1 : 4



DETAIL A
SCALE 1 : 3



DETAIL J
SCALE 1 : 2

NOTE: ENGINE & TRANSMISSION NOT SHOWN FOR CLARITY

DESIGNED BY	DATE	REV		INTERNATIONAL GROUP AN OVERSEAS PRODUCT OF MICO (SINGAPORE) PTE. LTD. 100, NORTH BRIDGE ROAD, SINGAPORE
DRAWN BY	DATE	REV		
CHECKED BY	DATE	REV	TITLE ASSEMBLY, ENGINE & TRANSMISSION	SHEET NO. D 720971-C1
APPROVED BY	DATE	REV	FILE NO. 720971-C1	REV SHEET 2 OF 2

TICO PRO-SPOTTER

ENGINE & TRANSMISSION, QSB-III, 160 HP/RDS 3000-5 SPD

721002

ITEM	PART #	QTY/M	DESCRIPTION	
26	42070	2	SPACER- ENG CRADLE	
27	82519	2	BOLT, HEX HEAD, 3/4-16 X 4 1/4 LONG	
28	85095	4	WASHER, FLAT 3/4	
29	85029	2	LOCKNUT, NYLON, 3/4-16	
30	60809	1	MOUNTING PL-FRT ENG	
31	80341	1	BOLT-M16 X 2 X 45mm, 12 PT HD, 10.9 (TORQUE: 200)	
32	85138	1	LOCKWASHER, 5/8	
33	85094	1	WASHER-5/8	
34	82474	2	BOLT-5/8-11UNC x 3 1/4 LONG	
35	85094	2	WASHER-5/8	
36	60113	2	WASHER, BOOM 5/8 X 3 OD	
37	60814	4	ISOLATOR FRT ENG MOUNT	
38	10971	2	SPACER-FRT ENG MOUNT	
39	85028	2	LOCKNUT, NYLON, 5/8-11 (TORQUE: 125)	
40	60956	3	BRACKET-TRANS HOSE	
41	82382	3	BOLT, HEX, 5/16-18 X 1	
42	85013	3	NUT, JAM- 5/16	
43	40593	3	P-CLAMP, 1"	
44	85090	3	WASHER, FLAT, 5/16	
45	85024	3	LOCKNUT, NYLON 5/16	
46	60747	1	PEDAL ACCELERATOR - ELECTRONIC QSB	
47	85113	4	WASHER, FLAT 3/8	
48	85036	2	LOCKNUT, 3/8-16	
49	90632	1	MOUNTING PLATE ELECTRIC THROTTLE	
50	83318	2	SC HC SCREW 3/8-16 x 3 1/2" Lg	
51	85113	4	WASHER, FLAT 3/8	
52	85036	2	LOCKNUT, 3/8-16	
NOT SHOWN	90804-1	2	HEATER HOSE, 5/8 x 84 Lg	
NOT SHOWN	42149	2	CLAMP, WORMGEAR, LINER, 5/8" HOSE	
NOT SHOWN	40751	1	FITTING, REDUCER, BRASS, 1/2 MNPT X 3/8 NPT	
NOT SHOWN	40750	1	FITTING, TEE - BRANCH, 1/2 NPT	
NOT SHOWN	40752	1	FITTING, REDUCER, BRASS, 3/4 MNPT X 1/2 NPT	
NOT SHOWN	42149	2	CLAMP, WORMGEAR, LINER, 5/8" HOSE	
NOT SHOWN	90804-2	1	HEATER HOSE, 5/8 x 96 Lg	
NOT SHOWN	40751	1	FITTING, REDUCER, BRASS, 1/2 MNPT X 3/8 NPT	
NOT SHOWN	91069	1	SENSOR WATER TEMP	
NOT SHOWN	91068	1	SENSOR-OIL PRESS GAUGE	
NOT SHOWN	60061	1	PRESSURE STAT 10 PSI	
NOT SHOWN	40467	1	FITTING, TEE STREET, 1/8 NPT	
REV	DATE	BY		SHEET
C	4/14/2017	MAL		2 OF 4

TICO PRO-SPOTTER

ENGINE & TRANSMISSION, QSB-III, 160 HP/RDS 3000-5 SPD

721002

ITEM	PART #	QTY/M	DESCRIPTION	
NOT SHOWN	40751	1	FITTING, REDUCER, BRASS, 1/2 MNPT X 3/8 NPT	
NOT SHOWN	62101	1	BRACKET - ANGLE FOR HOSE QSB3	
NOT SHOWN	60023	REF	GOVERNOR-AIR D-2	
NOT SHOWN	41015	22"	BULK HOSE - 1" SILICONE - LH SIDE OF ENGINE	
NOT SHOWN	40190-2	2	CLAMP-CONSTANT TORQUE-1 1/16"-2"	
NOT SHOWN	12091	1	SPACER - DIPSTICK CLIP	
NOT SHOWN	91134	1	WIRE-6GA, GND 31/3/4", ENG/FRAME	
NOT SHOWN	90798	1	CABLE - POS ALTERNATOR TO STARTER-42" LG	
NOT SHOWN	920040	1	CABLE - GROUND ALTERNATOR TO STARTER-20" LG	
NOT SHOWN	41026	1	HOSE, HYD TRANS to COOLER	
NOT SHOWN	41240	1	HOSE, ASSY, #12X 93" LG, TRANS to COOLER	
NOT SHOWN	40471	2	FITTING, ADAPTER -STR, # 12 JIC X 3/4 NPT	
NOT SHOWN	10624	2	FITTING, ELBOW 90°, 3/4 O-RING to # 12 JIC	
NOT SHOWN	62350	1	ALTERNATOR-DELCO, 24SI- 130 AMP	
NOT SHOWN	12616	1	BRACKET	
NOT SHOWN	80332	1	BOLT-HEX HD M12 X 1.75 X 40mm	
NOT SHOWN	80372	1	P CLAMP-2 1/2	
NOT SHOWN	91679	1	STARTER MOTOR- QSB-MT-38	
NOT SHOWN	60799-6	3	BOLT-10MM-1.5 X 30, HEX HD 10.9	
NOT SHOWN	85135	3	WASHER-3/8	
NOT SHOWN	42070	2	SPACER- ENG CRADLE	
NOT SHOWN	82519	2	BOLT-3/4-16NC X 4 1/4LG	
NOT SHOWN	82508	2	BOLT-3/4-16NC X 4 LG	
NOT SHOWN	85095	4	WASHER-3/4	
NOT SHOWN	85029	4	NUT-3/4-10NC NYLOCK	
REV	DATE	BY		SHEET
C	4/14/2017	MAL		3 OF 4

