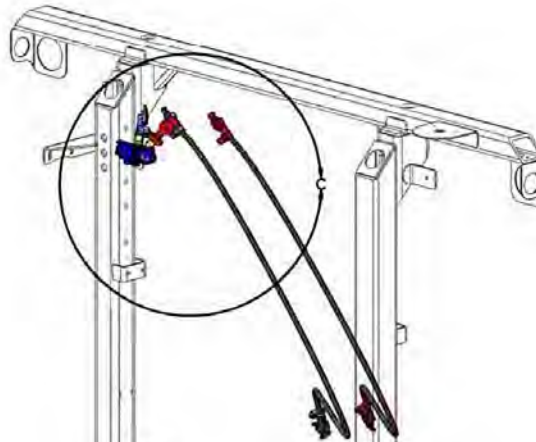
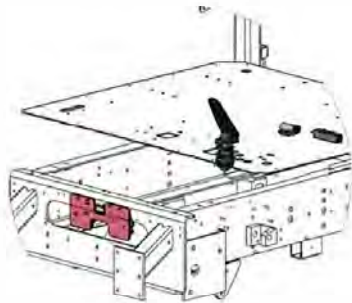


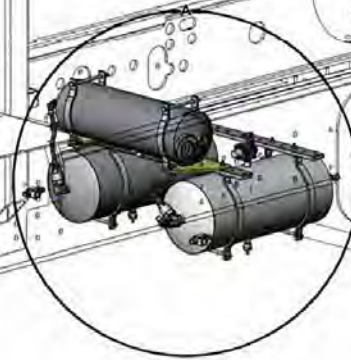
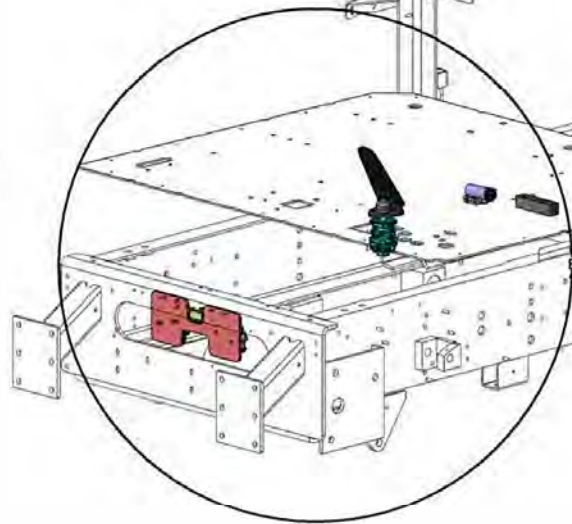
PAGE 2
INSET A



PAGE 2
INSET D



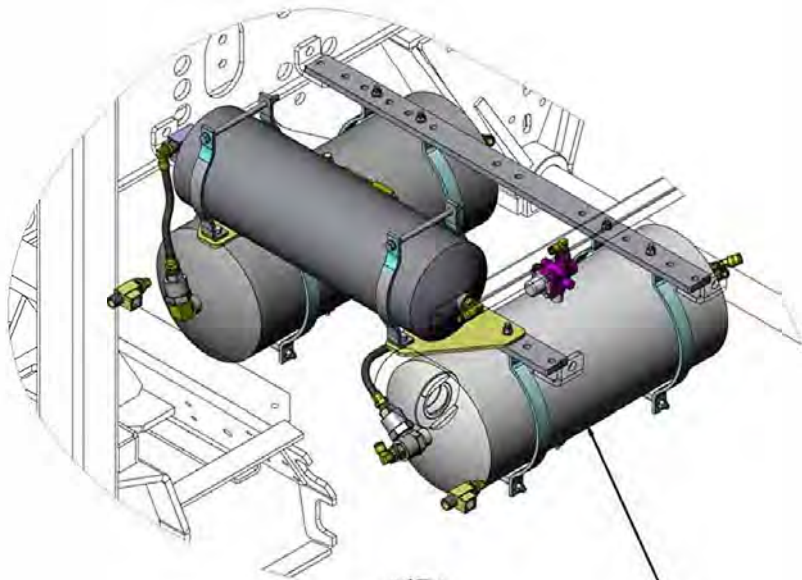
PAGE 2
INSET B



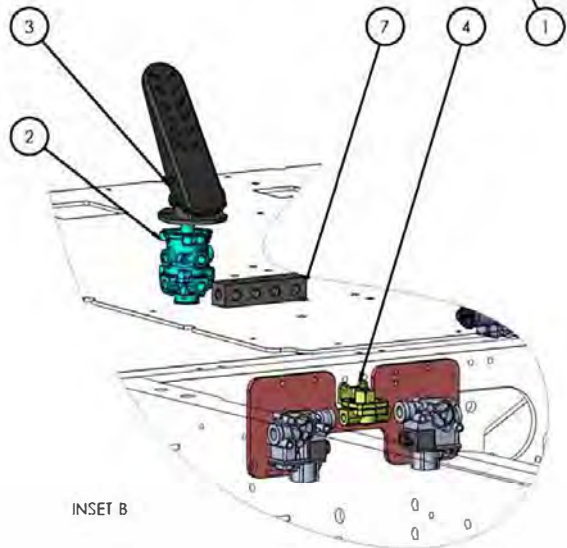
PAGE 2
INSET C

NO.	DESCRIPTION	QTY	UNIT
1
2
3
4
5
6
7
8
9
10
11
12
13
14
15
16
17
18
19
20
21
22
23
24
25
26
27
28
29
30
31
32
33
34
35
36
37
38
39
40
41
42
43
44
45
46
47
48
49
50
51
52
53
54
55
56
57
58
59
60
61
62
63
64
65
66
67
68
69
70
71
72
73
74
75
76
77
78
79
80
81
82
83
84
85
86
87
88
89
90
91
92
93
94
95
96
97
98
99
100

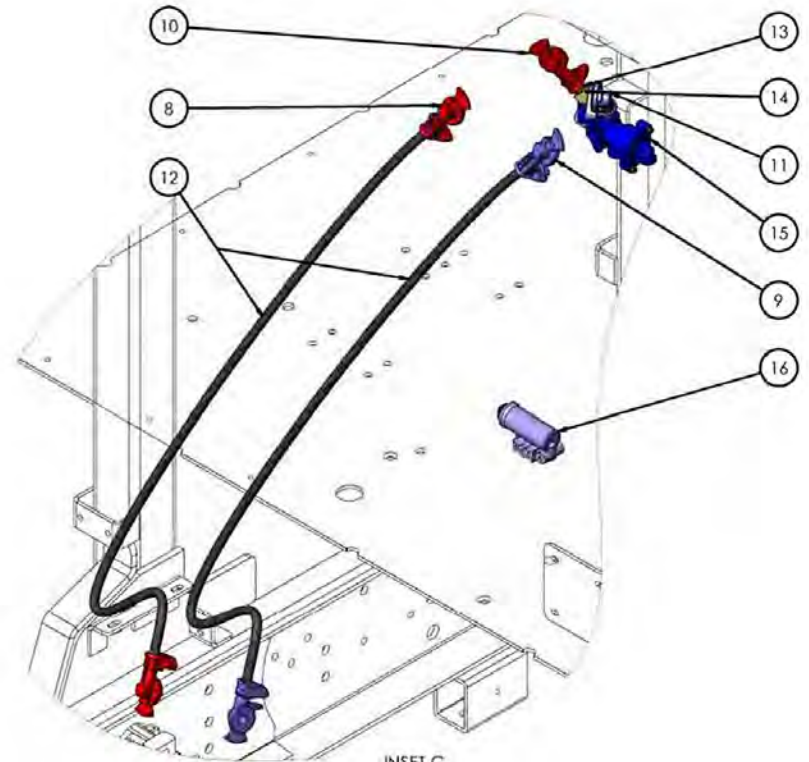
TRIPLEX
 TITLE: ASSEMBLY AIR SYSTEM
 3016 PS-88L 3-TANK
 SEE DWG. NO. 721000-A1
D
 SCALE: 1:32 (WEIGHT: 4500.58 SHEET 1 OF 1)



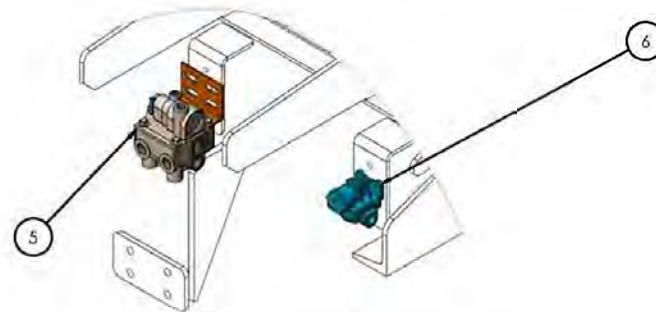
INSET A



INSET B



INSET C



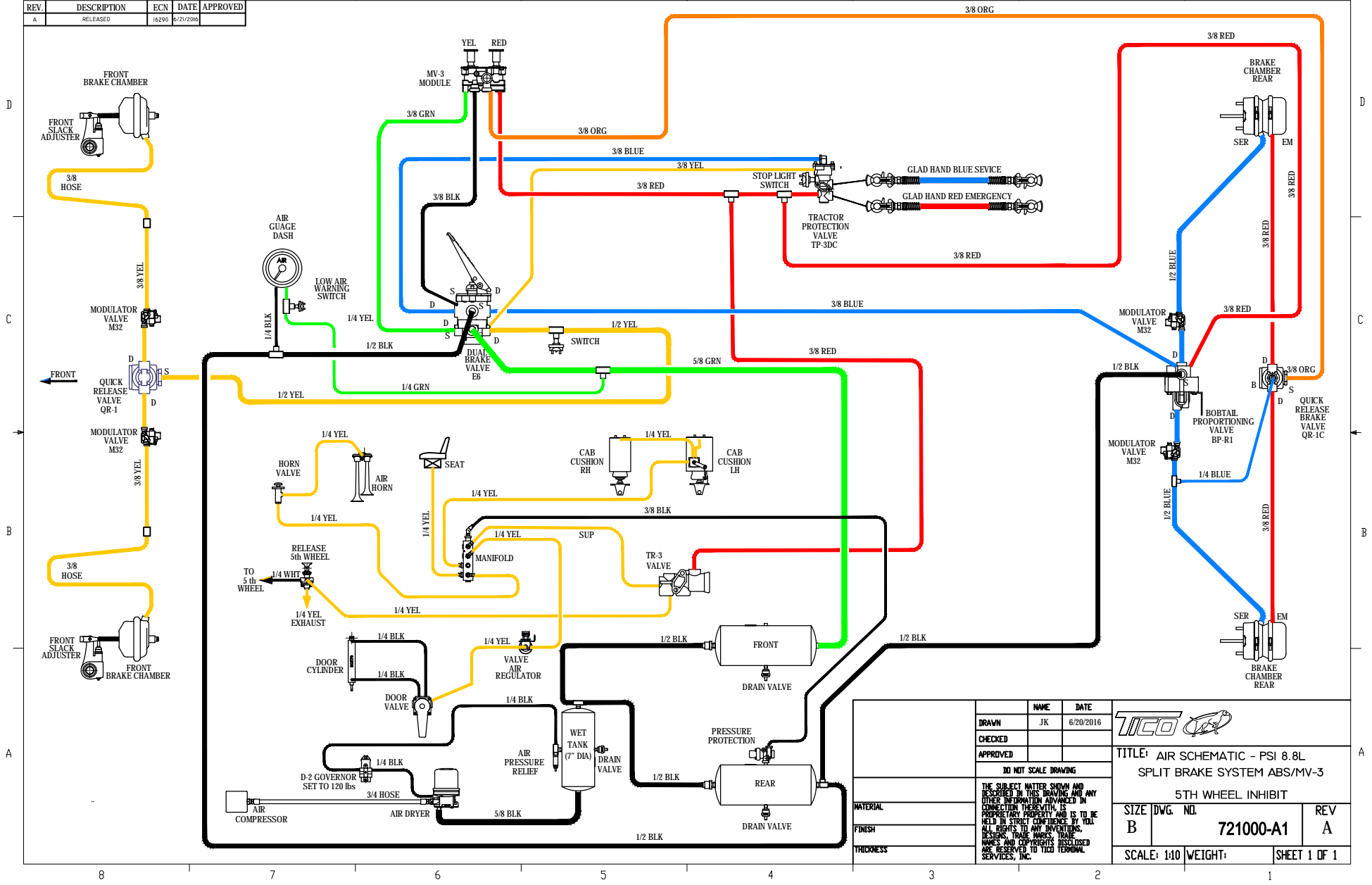
INSET D

REV	DATE	BY	CHKD	DESCRIPTION
1				ISSUED FOR MANUFACTURE
2				REVISED TO ADD PARTS LIST
3				REVISED TO ADD PARTS LIST
4				REVISED TO ADD PARTS LIST
5				REVISED TO ADD PARTS LIST
6				REVISED TO ADD PARTS LIST
7				REVISED TO ADD PARTS LIST
8				REVISED TO ADD PARTS LIST
9				REVISED TO ADD PARTS LIST
10				REVISED TO ADD PARTS LIST
11				REVISED TO ADD PARTS LIST
12				REVISED TO ADD PARTS LIST
13				REVISED TO ADD PARTS LIST
14				REVISED TO ADD PARTS LIST
15				REVISED TO ADD PARTS LIST
16				REVISED TO ADD PARTS LIST

DATE	BY	CHKD	DESCRIPTION
10/10/10	J. SMITH	M. JONES	ISSUED FOR MANUFACTURE
11/10/10	J. SMITH	M. JONES	REVISED TO ADD PARTS LIST
12/10/10	J. SMITH	M. JONES	REVISED TO ADD PARTS LIST
01/11/11	J. SMITH	M. JONES	REVISED TO ADD PARTS LIST
02/11/11	J. SMITH	M. JONES	REVISED TO ADD PARTS LIST
03/11/11	J. SMITH	M. JONES	REVISED TO ADD PARTS LIST
04/11/11	J. SMITH	M. JONES	REVISED TO ADD PARTS LIST
05/11/11	J. SMITH	M. JONES	REVISED TO ADD PARTS LIST
06/11/11	J. SMITH	M. JONES	REVISED TO ADD PARTS LIST
07/11/11	J. SMITH	M. JONES	REVISED TO ADD PARTS LIST
08/11/11	J. SMITH	M. JONES	REVISED TO ADD PARTS LIST
09/11/11	J. SMITH	M. JONES	REVISED TO ADD PARTS LIST
10/11/11	J. SMITH	M. JONES	REVISED TO ADD PARTS LIST
11/11/11	J. SMITH	M. JONES	REVISED TO ADD PARTS LIST
12/11/11	J. SMITH	M. JONES	REVISED TO ADD PARTS LIST

DATE	BY	CHKD	DESCRIPTION
10/10/10	J. SMITH	M. JONES	ISSUED FOR MANUFACTURE
11/10/10	J. SMITH	M. JONES	REVISED TO ADD PARTS LIST
12/10/10	J. SMITH	M. JONES	REVISED TO ADD PARTS LIST
01/11/11	J. SMITH	M. JONES	REVISED TO ADD PARTS LIST
02/11/11	J. SMITH	M. JONES	REVISED TO ADD PARTS LIST
03/11/11	J. SMITH	M. JONES	REVISED TO ADD PARTS LIST
04/11/11	J. SMITH	M. JONES	REVISED TO ADD PARTS LIST
05/11/11	J. SMITH	M. JONES	REVISED TO ADD PARTS LIST
06/11/11	J. SMITH	M. JONES	REVISED TO ADD PARTS LIST
07/11/11	J. SMITH	M. JONES	REVISED TO ADD PARTS LIST
08/11/11	J. SMITH	M. JONES	REVISED TO ADD PARTS LIST
09/11/11	J. SMITH	M. JONES	REVISED TO ADD PARTS LIST
10/11/11	J. SMITH	M. JONES	REVISED TO ADD PARTS LIST
11/11/11	J. SMITH	M. JONES	REVISED TO ADD PARTS LIST
12/11/11	J. SMITH	M. JONES	REVISED TO ADD PARTS LIST

REV.	DESCRIPTION	ECN	DATE	APPROVED
A	RELEASED		16290 6/21/2016	



	NAME	DATE
DRAWN	JK	6/20/2016
CHECKED		
APPROVED		

DO NOT SCALE DRAWING

THE SUBJECT MATTER SHOWN AND DESCRIBED IN THIS DRAWING AND ANY OTHER INFORMATION ADVANCED IN CONNECTION THEREWITH IS PROPRIETARY PROPERTY AND IS TO BE HELD IN STRICT CONFIDENCE BY YOU. ALL RIGHTS TO ANY INVENTIONS, DESIGN, TRADE MARKS, TRADE NAMES AND COPYRIGHTS DISCLOSED ARE RESERVED TO TICO TERMINAL SERVICES, INC.

TICO		
TITLE: AIR SCHEMATIC - PSI 8.8L SPLIT BRAKE SYSTEM ABS/MV-3		
5TH WHEEL INHIBIT		
SIZE DWG. NDL	REV	
B	721000-A1	A
SCALE: 1:10	WEIGHT:	SHEET 1 OF 1

TICO PRO-SPOTTER				
AIR SYSTEM, 3 TANKS, R-14, QR-1, PP1/ PP3				721000
ITEM	PART #	QTY/M	DESCRIPTION	
2	90057	1	VALVE-BRAKE E-3	
3	90026	1	BRAKE PEDAL	
NS	82360	3	BOLT, HEX 5/16-18 x 3/4 Lg	
NS	82371	3	BOLT, HEX 5/16-18 x 1 Lg	
NS	85112	3	WASHER, FLAT 5/16	
NS	85024	3	LOCKNUT, 5/16-18 NYLOK	
NS	91236	1	SWITCH- DUAL CIRCUIT NO-NC 4 PSI SET PRESS	
NS	40848	1	FITTING, TEE STREET, BRASS, 1/2 NPT	
NS	40878	1	FITTING, ELBOW 90°, BRASS, 5/8 TUBE X 1/2 NPT	
NS	42265	1	FITTING, ELBOW 90°, BRASS, 1/2 TUBE X 1/2 NPT	
NS	42119	1	FITTING, ELBOW 45°, BRASS, 3/8 TUBE X 1/2 NPT	
NS	40825	1	FITTING, ELBOW 90°, BRASS, 3/8 TUBE X 1/2 NPT	
NS	42173	1	FITTING, STR, BRASS, 3/8 TUBE X 1/2 NPT	
NS	80163	1	FITTING, PLUG, 1/2 NPT HEX SOCKET HD	
NS	40841	3	FITTING, PLUG, 3/8 NPT HEX SOCKET HD	
NS	42090	1	FITTING, REDUCER, BRASS, 1/2 MNPT X 1/4 NPT	
4	40550	1	VALVE-BRAKE QUICK RELEASE QR-1	
NS	81546	2	CAPSCREW-5/16-18NC X 1 1/4LG	
NS	85101	2	WASHER, FLAT5/16	
NS	85024	2	LOCKNUT, 5/16-18 NYLOK	
NS	40864	2	FITTING, STR BRASS 3/8 TUBE, 3/8NPT	
NS	42064	1	FITTING, ELBOW 90°, BRASS 1/2 TUBE, 1/2NPT	
5	42061	1	VALVE, RELAY R-14 W/ BRACKET	
NS	82360	2	BOLT, HEX 5/16-18 x 3/4	
NS	85090	4	WASHER, FLAT 5/16	
NS	85024	2	LOCKNUT, 5/16-18 NYLOK	
NS	40857	1	FITTING, ELBOW 90° BRASS, 1/4 TUBE X 1/8 NPT	
NS	42063	1	FITTING, ELBOW 90° BRASS, 3/8 TUBE X 1/4 NPT	
NS	42064	2	FITTING, ELBOW 90° BRASS, 1/2 TUBE X 1/2 NPT	
NS	40883	1	TUBE	
NS	40752	1	FITTING, REDUCER, BRASS, 3/4 MNPT X 1/2 NPT	
6	40550	1	VALVE, BRAKE QUICK RELEASE, QR-1	
NS	81546	2	CAPSCREW-5/16-18NC X 1 1/4LG	
NS	85090	4	WASHER, FLAT 5/16 HRDN	
NS	85024	2	LOCKNUT, 5/16-18 NYLOK	
NS	40864	1	FITTING, STR BRASS, 3/8 TUBE X 3/8NPT	
NS	40823	1	FITTING, ELBOW 90° BRASS, 3/8 TUBE X 3/8 NPT	
NS	40825	1	FITTING, ELBOW 90°, BRASS, 3/8 TUBE X 1/2 NPT	
REV	DATE	BY		SHEET
A	06/08/2020	AGW		2 OF 5

TICO PRO-SPOTTER				
AIR SYSTEM, 3 TANKS, R-14, QR-1, PP1/ PP3				721000
ITEM	PART #	QTY/M	DESCRIPTION	
8	50224	1	GLADHAND-BLUE, CAST IRON	
9	50225	1	GLADHANG-RED, CAST IRON	
10	50038-1	2	GLADHAND-BLUE, ALUM	
11	50039-1	2	GLADHANG-RED, ALUM	
12	50303	2	HOSE ASSY-TRAILER AIR 3/8 X 15 FT	
NS	10356	1	SPRING	
NS	920285	1	CLAMP, TRAILER HOSE, 3 CAVITY	
13	40799	2	FITTING, CLOSE NIPPLE BRASS, 1/2 NPT	
14	40899	2	FITTING, STREET ELBOW 45° BRASS, 1/2 NPT	
NS	91818	4	GROMMET-GLAD HAND RUBBER SEAL	
NS	90094	REF	TRAILER BRAKE PP1	
NS	90095	REF	TRACTOR BRAKE PP3	
NS	40883		TUBE	
NS	40817	2	FITTING, STREET ELBOW 90° BRASS, 1/2 NPT	
NS	40687	2	HOSE ASSY -FRONT BRAKE CHAMBER	
NS	62253	1	BRACKET - HOSE GUIDE	
NS	91272	1	SWITCH-PRESSURE, LOW AIR WARNING	
NS	91271	1	BUZZER-LOW AIR WARNING, 75-95 Dba	
NS	42298	1	FITTING-FEMALE BRANCH TEE, BRASS, 1/4 TUBE X 1/4 NPT	
15	90069	1	VALVE-TRACTOR PROTECTION	
NS	82459	2	BOLT, 5/16-18 X 3 LG	
NS	85090	4	WASHER, FLAT 5/16	
NS	85024	2	LOCKNUT, 5/16-18 NYLOK	
NS	90078	1	SWITCH-PRESSURE	
NS	40874	1	FITTING, REDUCER BUSHING, 3/8 NPT TO 1/4 NPT	
NS	42234	1	FITTING, TEE STREET BRASS, 3/8 X 3/8 X 1/4	
NS	40823	1	FITTING, ELBOW 90° BRASS, 3/8 TUBE X 3/8NPT	
NS	42063	1	FITTING, ELBOW 90° BRASS, 3/8 TUBE, 1/4NPT	
NS	90295	1	AIR REGULATION ASSEMBLY	
NS	40861	3	FITTING, ELBOW 90° BRASS, 1/4 TUBE, 1/4NPT	
NS	40883	1	FITTING, STR BRASS, 1/4 TUBE X 1/4 NPT	
NS	82370	2	BOLT HEX 1/4-20 X 1 Lg	
NS	85111	4	WASHER, FLAT 3/8	
NS	85034	2	LOCKNUT, 3/8-16	
16	60023	1	GOVERNOR-D2 W/GASKET & 3 PLUGS	
NS	80308	2	CAPSCREW-M8 X 1.25 X 70 LG	
NS	85134	2	L'WASHER-5/16	
NS	40857	3	FITTING, ELBOW 90°, BRASS 1/4 TUBE X 1/8 NPT	
REV	DATE	BY		SHEET
A	06/08/2020	AGW		4 OF 5

