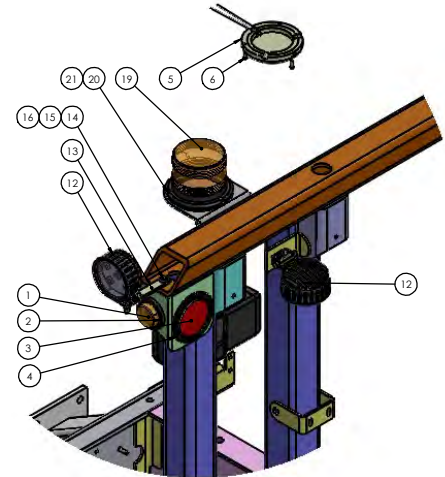
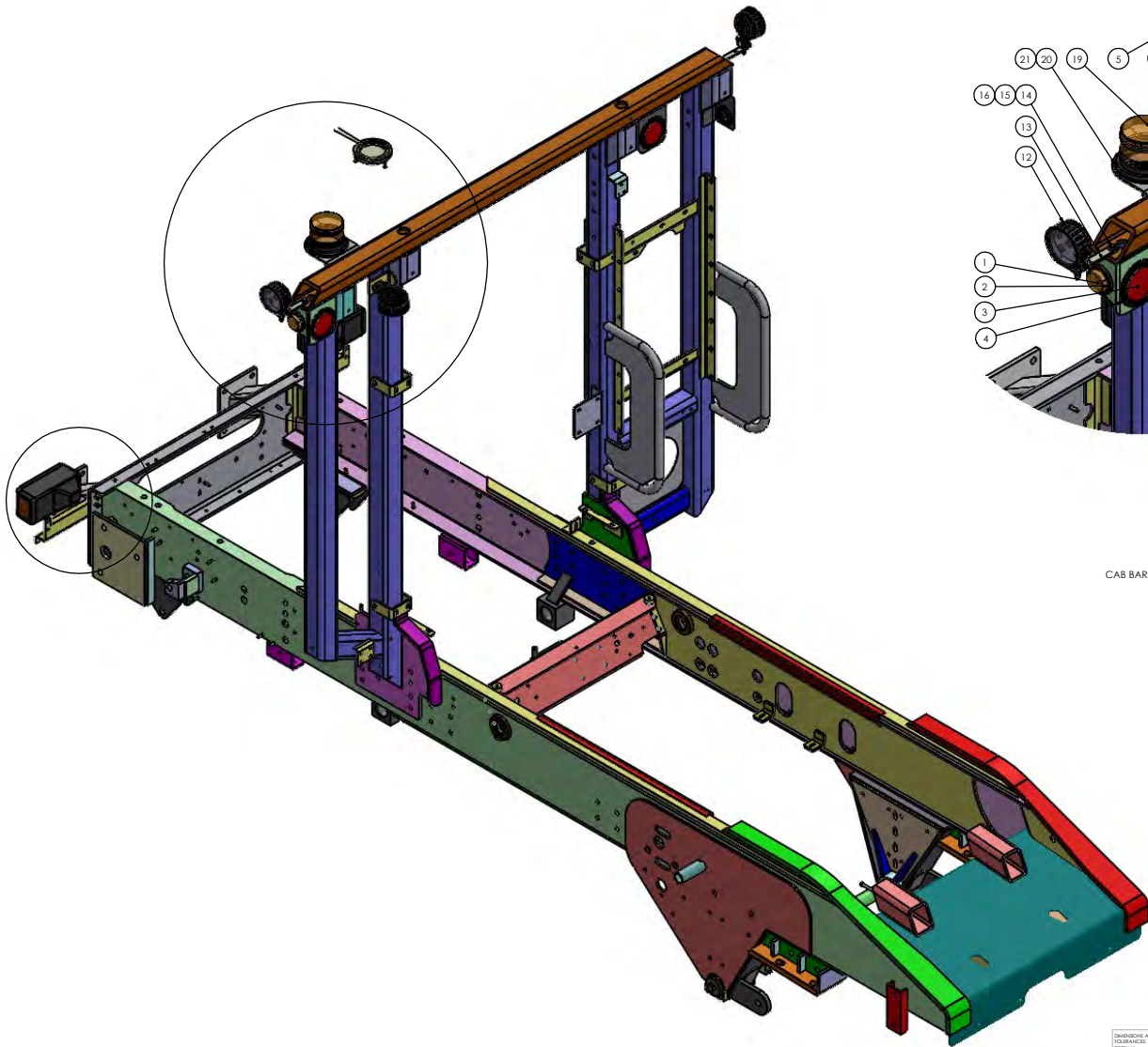
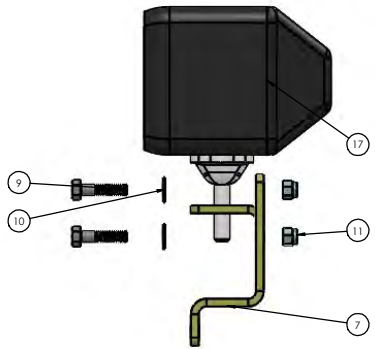


RH HEADLIGHT



CAB BAR LIGHT CLUSTER DETAIL VIEW



LH HEADLIGHT

DIMENSIONS ARE IN INCHES		NAME	DATE	TICO MANUFACTURING
TOLERANCES:		DRAWN	BBN	5/26/2020
DECIMAL	.000	CHECKED		44 CYPRESS RIDGE DR.
FRACTIONAL	1/32 & 1/64	APPROVED		ROCKLAND, SC 29554
ANGULAR	± 0.1°	DO NOT SCALE DRAWING		TICORACTORS.COM
INSURE GEOMETRIC TOLERANCING PER ASME Y14.5M		THE SUBJECT MATTER SHOWN AND DESCRIBED IN THIS DRAWING AND ANY OTHER INFORMATION CONTAINED HEREIN IS THE PROPERTY OF TICO MANUFACTURING AND IS TO BE USED ONLY FOR THE PURPOSES SPECIFIED HEREIN. NO OTHER REUSE OR REPRODUCTION IS PERMITTED WITHOUT THE WRITTEN CONSENT OF TICO MANUFACTURING.		
IRIS		SCALE: 1:24 (WEIGHT)		SHEET 1 OF 1
REVISIONS		TITLE: LIGHTS & MOUNTING ASSEMBLY		REV
		SIZE: DWG. NO. 720997-A1		

