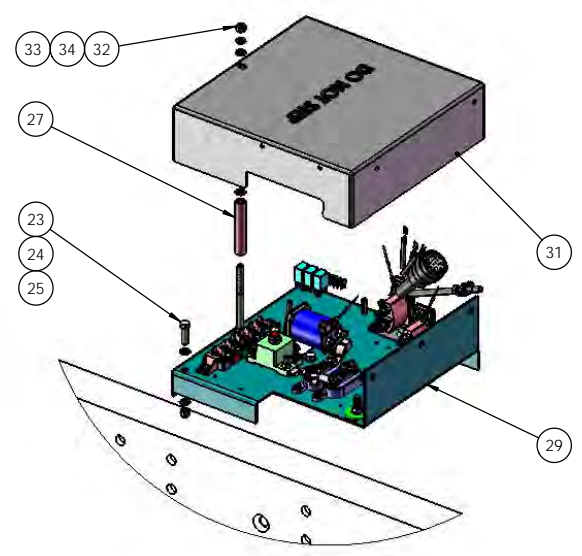
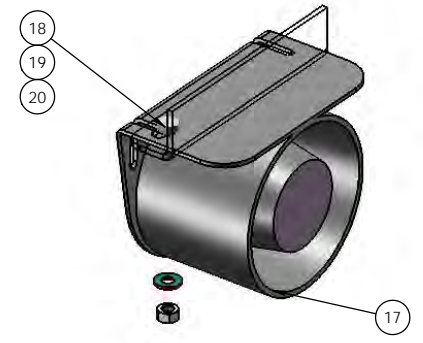


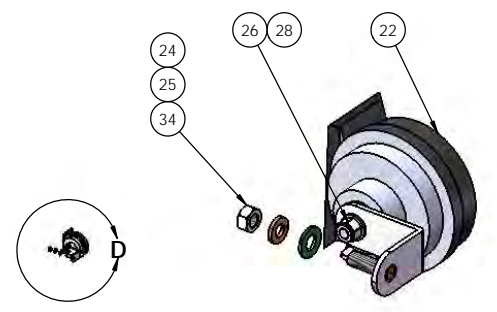
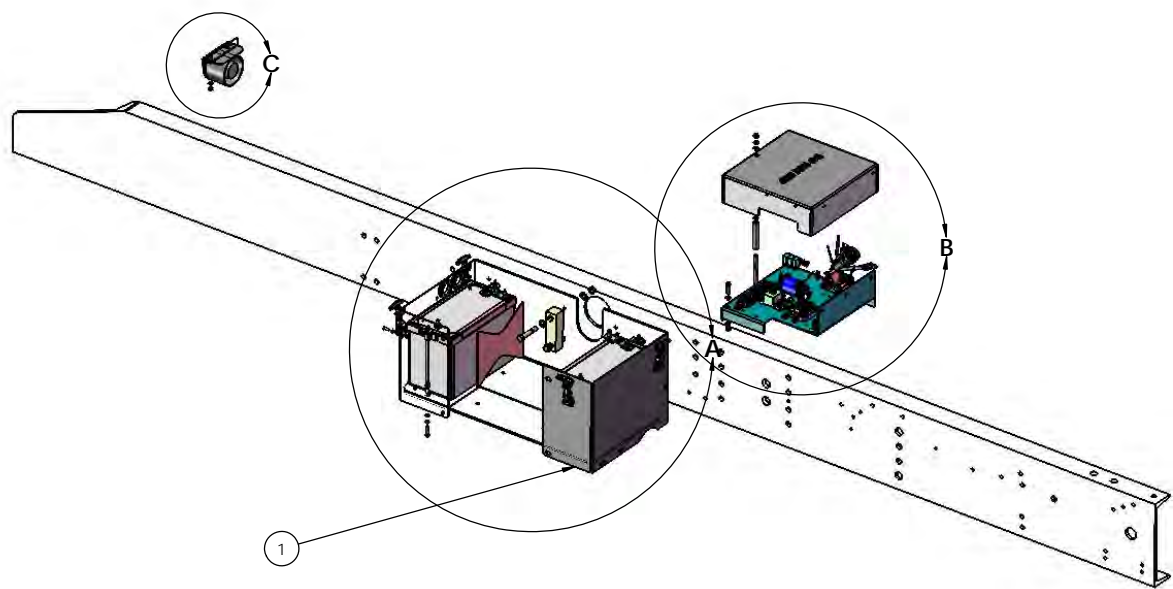
DETAIL A




DETAIL B



DETAIL C



DETAIL D

DIMENSIONS ARE IN INCHES		NAME	DATE	 TICO/TERMINAL SERVICE 66 CYPRESS RIDGE DR. RIDGELAND, SC 29936 (843) 717-2226	
TOLERANCES:		DRAWN	MAL		11/30/2016
DECIMAL:		CHECKED			
.XX ± 0.06 .XXX ± 0.03 .XXXX ± 0.005 ANGULAR ± 0.5° FRACTIONAL ± 1/32"		APPROVED			
INTERPRET GEOMETRIC TOLERANCING PER: ASME Y14.5M-1994		DO NOT SCALE DRAWING			TITLE: BATTERY & WIRING 2 BATTERIES
MATERIAL		THE SUBJECT MATTER SHOWN AND DESCRIBED IN THIS DRAWING AND ANY OTHER INFORMATION ADVANCED IN CONNECTION THEREWITH IS PROPRIETARY PROPERTY AND IS TO BE HELD IN STRICT CONFIDENCE BY YOU. ALL RIGHTS TO ANY INVENTIONS, DESIGNS, TRADE MARKS, TRADE NAMES AND COPYRIGHTS DISCLOSED ARE RESERVED TO TICO TERMINAL SERVICES, INC.			SIZE DWG. NO. C 720995-A1
FINISH					REV
THICKNESS					SCALE: 1:24 WEIGHT: SHEET 1 OF 2

TICO PRO-SPOTTER			
ASSEMBLY, BATTERY & WIRING			720995
ITEM	PART #	QTY/M	DESCRIPTION
	720995-A1	REF	ASSEMBLY, BATTERY & WIRING
1	20319	1	ASS'Y, ISB 2015 BATTERY BOX
	20320	1	ISB 2015 BATTERY BOX BOTTOM
	20321	1	PLATE, ISB 2015 BATTERY BOX BOTTOM
	20272	1	PLATE, SIDE, RAIL MANAGEMENT BATTERY BOX
	20323	1	PLATE, ISB 2015 BATTERY BOX, RH SIDE
	20322	2	MOUNT, ISB 2015 BATTERY BOX
	20275	1	COVER, RAIL MANAGEMENT, BATTERY BOX
	20274	1	COVER, RAIL MANAGEMENT BATTERY BOX
	20030-18	2	HOLDER, RUBBER LATCH
	20030-17	2	RUBBER LATCH
2	80196	4	BOLT, HEX 10-32 x 1 Lg HOLDER to BAT BOX
3	80232	4	WASHER, FLAT #10
4	80209	4	LOCKNUT, 10-32
5	90114	2	GROMMET
6	40210-2	2	MAT, RUBBER
7	82485	4	BOLT, 5/8-11 X 3-1/2 LONG (BATTERY BOX TO FRAME)
8	85094	8	WASHER, FLAT, 5/8
9	85028	4	LOCKNUT, NYLON, 5/8-11
10	91814	2	BATTERY, 31 SERIES, 730 CCA, 12 VOLT
11	20075	2	HOLD DOWN, BATTERY
12	20012	4	ASSEMBLY, J-BOLT
	20012-1	4	J-BOLT, 1/4-20 X 9-1/4 LONG (BATTERY HOLD DOWN)
	80129	4	WASHER, FENDER, 1/4
	20012-4	4	WASHER, PLASTIC, GRAY, .25 X 1.25 X .88
	85023	4	LOCKNUT, NYLON, 1/4-20
13	20077	4	COUPLING, EYE, 1/4-20
14	82381	4	BOLT, HEX HEAD, 1/4-20 X 1-1/4 LONG
15	85111	8	WASHER, FLAT, 1/4
16	85133	4	LOCKWASHER, FLAT, 1/4
NOT SHOWN	12070	1	BRACKET, BATTERY STOP
REV	DATE	BY	SHEET
A	11/30/2016	MAL	1 OF 3

TICO PRO-SPOTTER			
ASSEMBLY, BATTERY & WIRING			720995
ITEM	PART #	QTY/M	DESCRIPTION
	91250	1	ASSEMBLY, BACKUP ALARM, STANDARD
17	40198		BACKUP ALARM, STANDARD
18	82359	1	BOLT, HEX HEAD, 1/4-20 X 3/4 LONG
19	85133	6	LOCKWASHER, 1/4
20	85111	4	WASHER, FLAT, 1/4
NOT SHOWN	80129	2	WASHER, FENDER, 1/4-20 X 1-1/4 OD
21	85023	2	LOCKNUT, NYLON, 1/4-20
22	90207	1	HORN, ELECTRIC
23	82383	2	BOLT, HEX 3/8-16 x 1 1/4 Lg
24	85113	4	WASHER, FLAT 3/8
25	85136	1	LOCKNUT 3/8-16
26	85111	2	WASHER, FLAT 1/4
27	85133	2	LOCKWASHER 1/4
28	85012	2	NUT - 1/4-20
29	91938	1	HARNESS, PDC, CHASSIS
30	61597	1	SPACER
31	91521	1	PANEL COVER, PDC
32	85113	4	WASHER, FLAT 3/8
33	85136	1	LOCKNUT 3/8-16
34	85135	1	LOCKWASHER 3/8
NOT SHOWN	62265	1	C-BRACKET, WIRING STANDOFF, FRAME
NOT SHOWN	20012-4	2	WASHER, PLASTIC, BATTERY HOLD DOWN
NOT SHOWN	90843	1	CABLE - 3/0 RED BATTERY JUMPER 8.75" LG
NOT SHOWN	90844	1	CABLE - 3/0 BLK BATTERY JUMPER 8.75" LG
NOT SHOWN	910325	1	CABLE - 3/0 RED BATTERY to STARTER 48" Lg
NOT SHOWN	91525	1	CABLE - 3/0 RED BATTERY to PDC 41-1/2" Lg
NOT SHOWN	910326	1	CABLE - 3/0 BLK BATTERY to PDC 51" LG
NOT SHOWN	90837	1	CABLE - 3/0 BLK BATTERY to STARTER 65.5" LG
NOT SHOWN	91021	1	FUSE, 5A, F17
NOT SHOWN	91023	3	FUSE, 10A, F4/F15/F19
NOT SHOWN	91025	15	FUSE, 20A, F2/F3/F5/F7/F8/F9/F10/F14/F18/F20
NOT SHOWN	91027	1	FUSE, 30A, F6
NOT SHOWN	90870	14	RELAY
REV	DATE	BY	SHEET
A	11/30/2016	MAL	2 OF 3

TICO MANUFACTURING - RIDGELAND, SC 29936

