
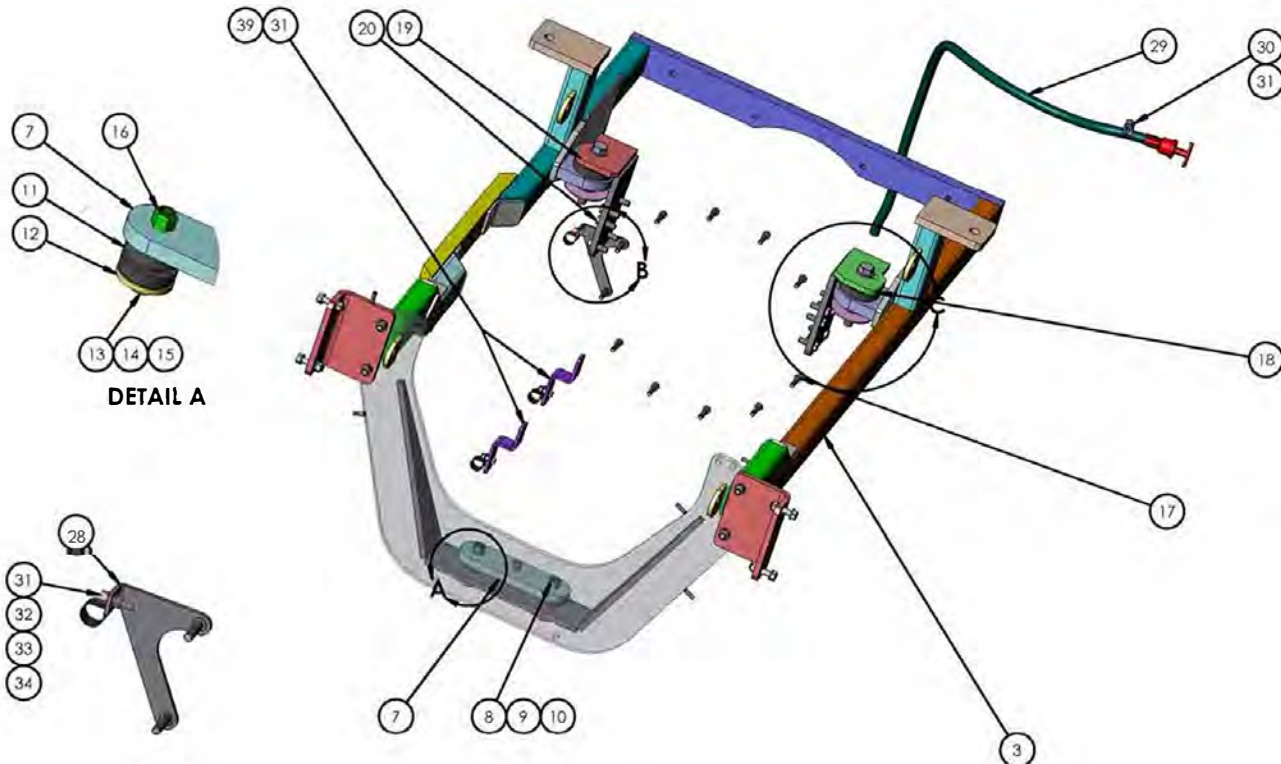


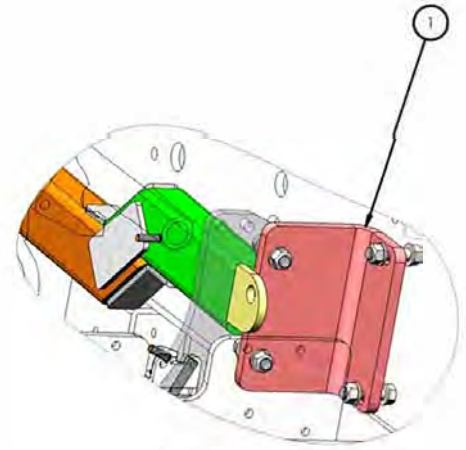
DIMENSIONS ARE IN INCHES		NAME	DATE	 TICO/TERMINAL SERVICE 66 CYPRESS RIDGE DR. RIDGELAND, SC 29936 (843) 717-2226	
TOLERANCES:		DRAWN	MAL		03/07/2017
DECIMAL:		CHECKED			
.XX ± 0.06 .XXX ± 0.03 .XXXX ± 0.005 ANGULAR ± 0.5° FRACTIONAL ± 1/32"		APPROVED			
INTERPRET GEOMETRIC TOLERANCING PER: ASME 14.5M-1994		DO NOT SCALE DRAWING			TITLE: ENGINE & TRANSMISSION
MATERIAL		THE SUBJECT MATTER SHOWN AND DESCRIBED IN THIS DRAWING AND ANY OTHER INFORMATION ADVANCED IN CONNECTION THEREWITH IS PROPRIETARY PROPERTY AND IS TO BE HELD IN STRICT CONFIDENCE BY YOU. ALL RIGHTS TO ANY INVENTIONS, DESIGNS, TRADE MARKS, TRADE NAMES AND COPYRIGHTS DISCLOSED ARE RESERVED TO TICO TERMINAL SERVICES, INC.			SIZE DWG. NO. REV
FINISH		C			720991-A1
THICKNESS		SCALE: 1:48			WEIGHT: SHEET 1 OF 1



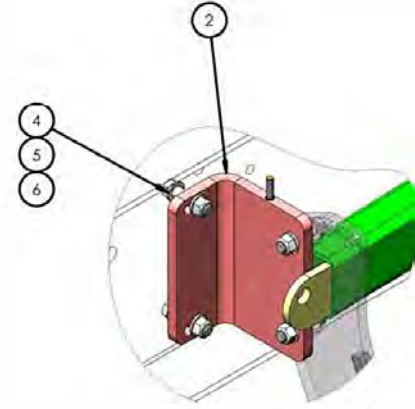
DETAIL A

DETAIL B

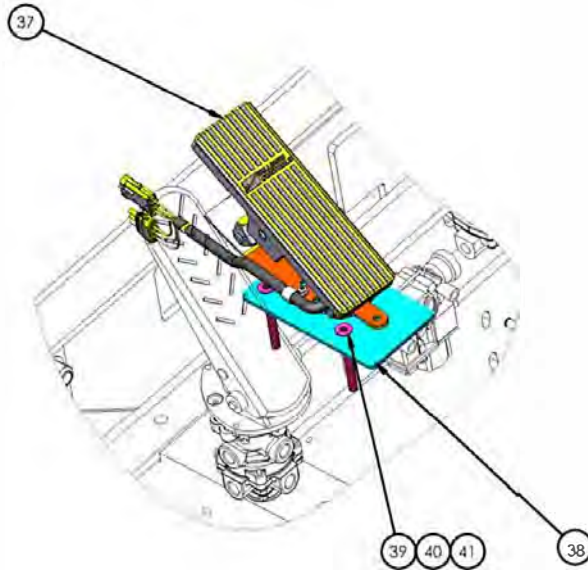
DETAIL C



LH BRACKET, FRONT



RH BRACKET, FRONT



DIMENSIONS ARE IN INCHES		NAME	DATE	 TICO/TERMINAL SERVICE 66 CYPRESS RIDGE DR. ROSELAND, SC 29936 (843) 717-2226
TOLERANCES DECIMAL:		DRAWN	MAL 03/07/2017	
XXX	± 0.06	CHECKED		
XX	± 0.03	APPROVED		
XX	± 0.05	DO NOT SCALE DRAWING		TITLE: ENGINE & TRANSMISSION
ANGULAR:	± 0.1°			SIZE DWG. NO. REV
FRACTIONAL:	1/32"			C 720991-A1
FREEMET GEOMETRIC 101 FRANCHISE REP. AS48 14.844 1914		THE SUBJECT MATTER SHOWN AND DESCRIBED IN THIS DRAWING AND ANY OTHER INFORMATION ADVANCED IN CONNECTION THEREWITH IS PROPRIETARY PROPERTY AND IS TO BE HELD IN STRICT CONFIDENCE BY YOU. ALL RIGHTS TO ANY PATENT, DESIGN, TRADE MARK, TRADE NAME AND COPYRIGHTS DECLARED ARE RESERVED TO TICO TERMINAL SERVICE, INC.		SCALE: 1:48 WEIGHT: SHEET 1 OF 1



TICO PRO-SPOTTER				
ENGINE & TRANSMISSION 2016-QSB-IV 173 HP/RDS3000 GEN V				720991
ITEM	PART #	QTY/M	DESCRIPTION	
8	80342	1	BOLT-DRILLED HEAD-M16 x 2 x 45mm, 10.9 SHCS	
	80176	1	BOLT-M16 x 2 x 45mm, 10.9 SHCS	
9	85094	1	WASHER, FLAT 5/8-11	
10	85138	1	LOCKWASHER, 5/8-11	
11	60814	4	ISOLATOR, FRONT ENGINE MOUNT DUAL SYSTEM	
12	60113	2	WASHER, BOOM	
13	10971	2	SPACER FRONT MOTOR MOUNT	
14	82474	2	BOLT, HEX 5/8-11 x 3 1/4" LG	
15	85094	2	WASHER, FLAT 5/8-11	
16	85039	2	LOCKNUT, 5/8-11	
NOT SHOWN	60799-6	6	BOLT-FLEX PLATE/TORQUE CONV	
17	60799-12	1	TRANS MOUNTING KIT	
NOT SHOWN	60799-7	12	BOLT - TRANS MOUNTING	
NOT SHOWN	60799-20	12	WASHER - TRANS MOUNTING	
18	60981	1	MOUNT-REAR ENGINE LH	
19	60982	1	MOUNT-REAR ENGINE RH	
20	80240	12	BOLT-M12 x 1.5 x 35mm, HEX HD , 10.9	
			APPLY LOCKTITE & TORQUE BOLTS TO 40 FT-LB	
21	61678	2	ISOLATOR-REAR ENGINE	
22	61677-8	2	SPACER-BOLT	
23	60740	2	WASHER-3/4, REAR ENGINE MOUNT	
24	85095	2	WASHER, FLAT 3/4	
25	60740-1	2	WASHER-3/4, REAR ENGINE MOUNT	
26	82574	2	BOLT-3/4-10UNC x 5 1/2 LG HEX HD	
27	85029	1	NUT-3/4-10UNC NYLK	
28	90910	1	BRACKET-BATTERY CABLE SUPPORT	
29	61574	1	DIPSTICK-TRANSMISSION RDS	
30	12091	1	SPACER	
31	82382	3	BOLT, HEX 5/16-18 x 2 1/4 Lg	
32	85112	8	WASHER, FLAT 5/16	
33	85134	2	LOCKWASHER 5/16	
34	40593	4	P-CLAMP	
NOT SHOWN	80349	1	STUD, 5/16-18 X 1"LG WELD	
36	85035	1	LOCKNUT 5/16	
NOT SHOWN	12067	1	BRACKET "L"	
NOT SHOWN	41273	2	CLAMP "P" 1/2	
NOT SHOWN	62126	1	CLIP, DIPSTICK RETAINER	
<b>REV</b>	<b>DATE</b>	<b>BY</b>	<b>SHEET</b>	
A	03/07/2017	MAL	2 OF 3	
<b>TICO MANUFACTURING - RIDGELAND, SC 29936</b>				

TICO PRO-SPOTTER				
ENGINE & TRANSMISSION 2016-QSB-IV 173 HP/RDS3000 GEN V				720991
ITEM	PART #	QTY/M	Description	
NOT SHOWN	60061	1	PRESSURE STAT 10 Lbs	
NOT SHOWN	40467	1	FITTING, TEE STREET, 1/8 NPT	
NOT SHOWN	91068	1	SENSOR-OIL PRESS GAUGE	
NOT SHOWN	91069	1	SENSOR-WATER TEMP GAUGE	
NOT SHOWN	12091	1	SPACER-DIPSTICK	
NOT SHOWN	62405	1	HARNESS-TIER IV FINAL	
NOT SHOWN	62414	1	HARNESS-TRANS ALLISON GEN 4-W/ABS	
NOT SHOWN	91133	1	WIRE HARNESS-2 GA BK	
NOT SHOWN	90798	1	WIRE HARNESS-2 GA RD	
NOT SHOWN	91171	1	WIRE ASSY-AIR INTAKE HEATER	
NOT SHOWN	91232	1	WIRE ASS'Y-ECM GRD/BATT	
NOT SHOWN	61704	1	BRACKET-STANDOFF	
37	61640	1	PEDAL ACCELERATOR - ELECTRONIC ISB	
38	90632	1	MOUNTING PLATE ELECTRIC THROTTLE	
NOT SHOWN	90632-1	1	MTG PLATE	
NOT SHOWN	80136	2	STUD 5/16-18 X 1-1/4 LONG	
39	83318	2	SC HC SCREW 3/8-16 X 3 1/2" LONG	
40	85113	2	WASHER, FLAT 3/8	
41	85036	2	LOCKNUT, 3/8-16	
42	85090	2	WASHER, FLAT 5/16	
43	85035	2	LOCKNUT 5/16	
NOT SHOWN	42050	1	FITTING, TEE BRANCH, BRASS, 3/4 NPT	
NOT SHOWN	42055	1	FITTING, BARB HOSE - 45°, # 16 HOSE X 3/4 NPT	
NOT SHOWN	40752	1	FITTING, REDUCER, BRASS, 3/4 MNPT X 1/2 NPT	
NOT SHOWN	42049	1	FITTING, TEE BRANCH, BRASS, 1/2 NPT	
NOT SHOWN	42047	1	FITTING, BARB HOSE - STR, # 10 HOSE X 1/2 NPT	
NOT SHOWN	42178	1	FITTING, BARB HOSE - 90°, # 10 HOSE X 1/2 NPT	
NOT SHOWN	40752	1	FITTING, REDUCER, BRASS, 3/4 MNPT X 1/2 NPT	
NOT SHOWN	41026	1	HOSE, ASSY, #12X 86" LONG, TRANS to COOLER	
NOT SHOWN	41240	1	HOSE, ASSY, #12X 93" LONG, TRANS to COOLER	
NOT SHOWN	40471	2	FITTING, ADAPTER STR, 3/4 O RING to # 12 JIC	
NOT SHOWN	10624	2	FITTING, ELBOW 90°, 3/4 O RING to # 12 JIC	
NOT SHOWN	910393	1	CAP-ENGINE BLOCK HEATER	
44	60956	2	BRACKET TRANS COOLING LINE	
NOT SHOWN	620654	1	ALTERNATOR, 160 AMP DELCO	
NOT SHOWN	91243	1	STARTER MOTOR- DELCO MT35	
NOT SHOWN	60799-6	3	BOLT-10MM-1.5 X 30, HEX HD 10.9	
NOT SHOWN	85135	3	WASHER-3/8	
<b>REV</b>	<b>DATE</b>	<b>BY</b>	<b>SHEET</b>	
A	03/07/2017	MAL	3 OF 3	
<b>TICO MANUFACTURING - RIDGELAND, SC 29936</b>				