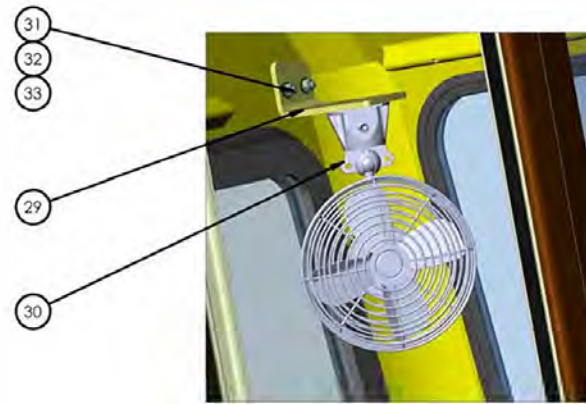
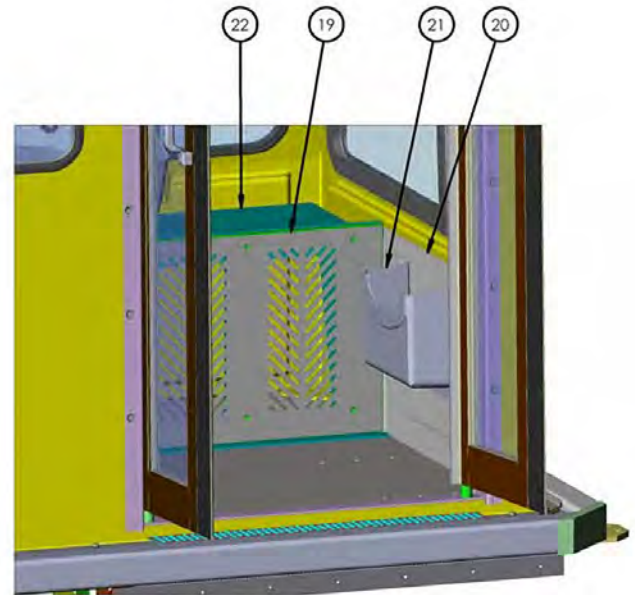
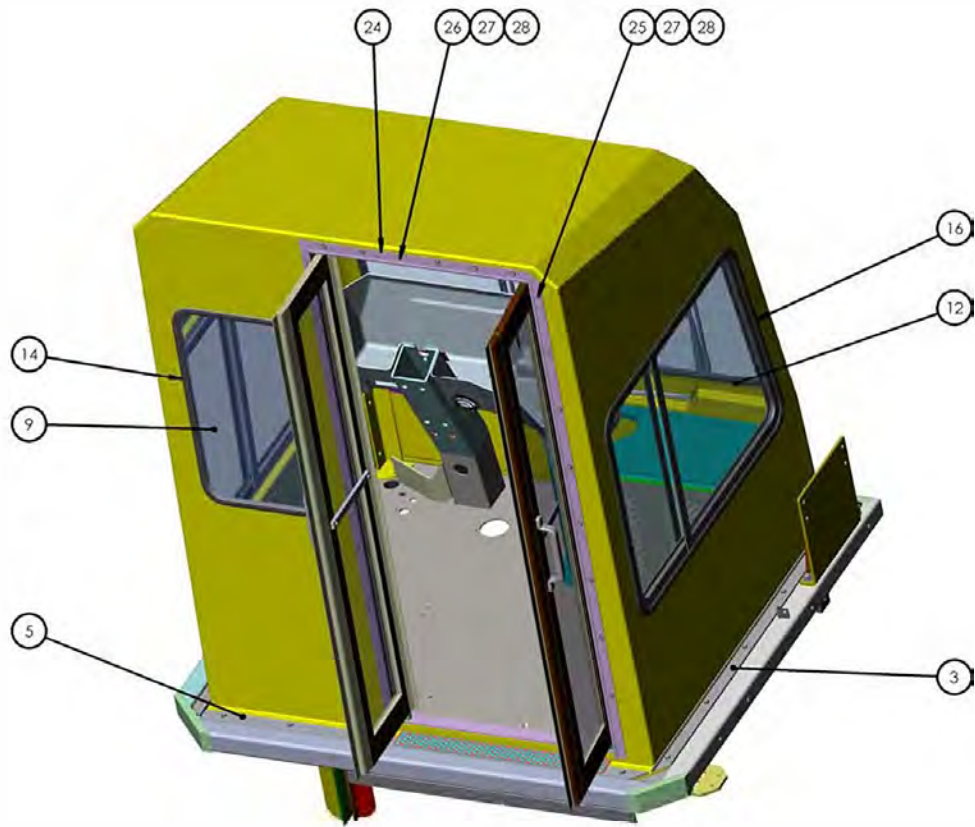


DIMENSIONS ARE IN INCHES		NAME	DATE
TOLERANCES:		DRAWN	MAL 03/14/2017
DECIMAL:		CHECKED	
.X.X		APPROVED	
.XXX		DO NOT SCALE DRAWING	
ANGULAR:		THE SUBJECT MATTER SHOWN AND DESCRIBED IN THIS DRAWING AND ANY OTHER INFORMATION ADVANCED IN CONNECTION THEREWITH IS PROPRIETARY PROPERTY AND IS TO BE HELD IN STRICT CONFIDENCE BY YOU. ALL RIGHTS TO ALL INVENTOR, DESIGN, TRADE MARK, TRADE NAME AND COPYRIGHTS DECLARED ARE RESERVED TO TICU TRAMWAY SERVICES, INC.	
FRACTIONAL:		TICU MANUFACTURING 66 CYPRESS RIDGE DR. ROSELAND, SC 29936 (843) 717-2226	
TITLE:		CAB ASSEMBLY, 72" DOOR	
DRAWN:		SIZE	DWG. NO.
T/A		C	720986-B1
REV:		REV	
SEE NOTE		SCALE: 1:24 WEIGHT: 1488.98 SHEET 1 OF 2	
T/A			



DRAWN BY: GOR #144CND		DATE	TICO/TERMINAL SERVICE	
DESIGNED BY: DEC24AC		03/14/2017	66 CYPRESS RIDGE DR.	
CHECKED BY: N/A			INDOELAND, SC 29936	
APPROVED BY: N/A			(843) 717-2226	
TITLE: CAB ASSEMBLY, 72" DOOR		SCALE: 1:24 WEIGHT: 1488.9 SHEET 2 OF 2		
SIZE: C		DWG. NO. 720986-B11		REV
SEE NOTE				
MATERIAL: N/A				
FINISH: N/A				

DO NOT SCALE DRAWING.

THE SUBJECT MATTER SHOWN AND DESCRIBED IN THIS DRAWING AND ANY OTHER INFORMATION ADVERTISED HEREIN IS THE PROPERTY OF TICO. ALL RIGHTS TO ANY PATENT, TRADE DESIGN, TRADE MARK, TRADE NAME AND COPYRIGHTS DECLARED ARE RESERVED TO TICO TERMINAL SERVICE, INC.

