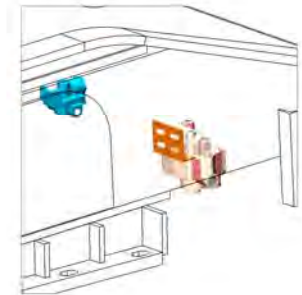


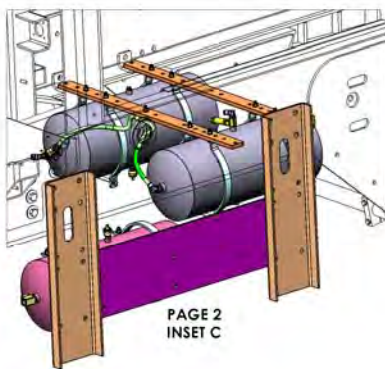
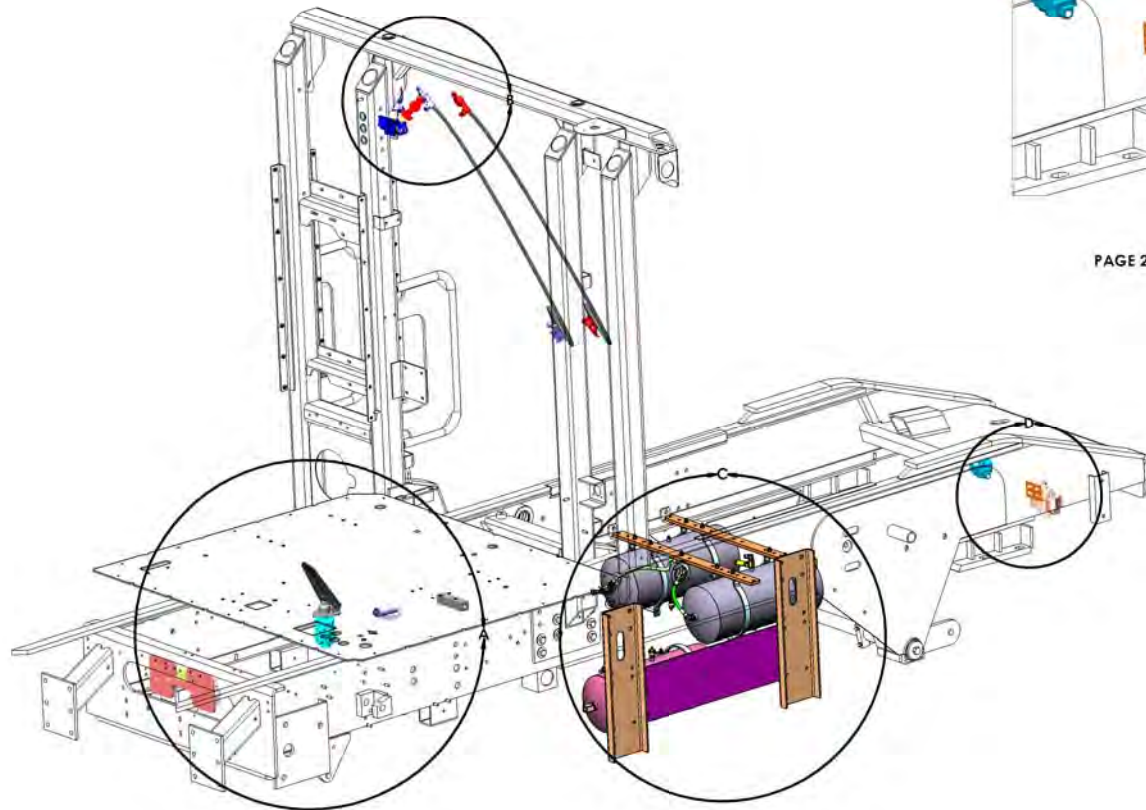
PAGE 2
INSET A



PAGE 2 INSET D



PAGE 2
INSET B



PAGE 2
INSET C

DESIGNED AND DRAWN	NAME	DATE	TICORP TICORP SERVICE AIR SYSTEMS DIVISION 8445 717 2004
DRAWN	NAME	DATE	
CHECKED	NAME	DATE	TITLE AIR SYSTEM, 2015, DOT-121
APPROVED	NAME	DATE	
SCALE	DO NOT SCALE DRAWING		
REVISIONS	REVISIONS		
REV	DESCRIPTION	DATE	BY
1	ISSUE FOR MANUFACTURE		
2	ISSUE FOR MANUFACTURE		
3	ISSUE FOR MANUFACTURE		
4	ISSUE FOR MANUFACTURE		
5	ISSUE FOR MANUFACTURE		
6	ISSUE FOR MANUFACTURE		
7	ISSUE FOR MANUFACTURE		
8	ISSUE FOR MANUFACTURE		
9	ISSUE FOR MANUFACTURE		
10	ISSUE FOR MANUFACTURE		
11	ISSUE FOR MANUFACTURE		
12	ISSUE FOR MANUFACTURE		
13	ISSUE FOR MANUFACTURE		
14	ISSUE FOR MANUFACTURE		
15	ISSUE FOR MANUFACTURE		
16	ISSUE FOR MANUFACTURE		
17	ISSUE FOR MANUFACTURE		
18	ISSUE FOR MANUFACTURE		
19	ISSUE FOR MANUFACTURE		
20	ISSUE FOR MANUFACTURE		
21	ISSUE FOR MANUFACTURE		
22	ISSUE FOR MANUFACTURE		
23	ISSUE FOR MANUFACTURE		
24	ISSUE FOR MANUFACTURE		
25	ISSUE FOR MANUFACTURE		
26	ISSUE FOR MANUFACTURE		
27	ISSUE FOR MANUFACTURE		
28	ISSUE FOR MANUFACTURE		
29	ISSUE FOR MANUFACTURE		
30	ISSUE FOR MANUFACTURE		
31	ISSUE FOR MANUFACTURE		
32	ISSUE FOR MANUFACTURE		
33	ISSUE FOR MANUFACTURE		
34	ISSUE FOR MANUFACTURE		
35	ISSUE FOR MANUFACTURE		
36	ISSUE FOR MANUFACTURE		
37	ISSUE FOR MANUFACTURE		
38	ISSUE FOR MANUFACTURE		
39	ISSUE FOR MANUFACTURE		
40	ISSUE FOR MANUFACTURE		
41	ISSUE FOR MANUFACTURE		
42	ISSUE FOR MANUFACTURE		
43	ISSUE FOR MANUFACTURE		
44	ISSUE FOR MANUFACTURE		
45	ISSUE FOR MANUFACTURE		
46	ISSUE FOR MANUFACTURE		
47	ISSUE FOR MANUFACTURE		
48	ISSUE FOR MANUFACTURE		
49	ISSUE FOR MANUFACTURE		
50	ISSUE FOR MANUFACTURE		
51	ISSUE FOR MANUFACTURE		
52	ISSUE FOR MANUFACTURE		
53	ISSUE FOR MANUFACTURE		
54	ISSUE FOR MANUFACTURE		
55	ISSUE FOR MANUFACTURE		
56	ISSUE FOR MANUFACTURE		
57	ISSUE FOR MANUFACTURE		
58	ISSUE FOR MANUFACTURE		
59	ISSUE FOR MANUFACTURE		
60	ISSUE FOR MANUFACTURE		
61	ISSUE FOR MANUFACTURE		
62	ISSUE FOR MANUFACTURE		
63	ISSUE FOR MANUFACTURE		
64	ISSUE FOR MANUFACTURE		
65	ISSUE FOR MANUFACTURE		
66	ISSUE FOR MANUFACTURE		
67	ISSUE FOR MANUFACTURE		
68	ISSUE FOR MANUFACTURE		
69	ISSUE FOR MANUFACTURE		
70	ISSUE FOR MANUFACTURE		
71	ISSUE FOR MANUFACTURE		
72	ISSUE FOR MANUFACTURE		
73	ISSUE FOR MANUFACTURE		
74	ISSUE FOR MANUFACTURE		
75	ISSUE FOR MANUFACTURE		
76	ISSUE FOR MANUFACTURE		
77	ISSUE FOR MANUFACTURE		
78	ISSUE FOR MANUFACTURE		
79	ISSUE FOR MANUFACTURE		
80	ISSUE FOR MANUFACTURE		
81	ISSUE FOR MANUFACTURE		
82	ISSUE FOR MANUFACTURE		
83	ISSUE FOR MANUFACTURE		
84	ISSUE FOR MANUFACTURE		
85	ISSUE FOR MANUFACTURE		
86	ISSUE FOR MANUFACTURE		
87	ISSUE FOR MANUFACTURE		
88	ISSUE FOR MANUFACTURE		
89	ISSUE FOR MANUFACTURE		
90	ISSUE FOR MANUFACTURE		
91	ISSUE FOR MANUFACTURE		
92	ISSUE FOR MANUFACTURE		
93	ISSUE FOR MANUFACTURE		
94	ISSUE FOR MANUFACTURE		
95	ISSUE FOR MANUFACTURE		
96	ISSUE FOR MANUFACTURE		
97	ISSUE FOR MANUFACTURE		
98	ISSUE FOR MANUFACTURE		
99	ISSUE FOR MANUFACTURE		
100	ISSUE FOR MANUFACTURE		

D 720968-C1

SCALE: 1:32 WEIGHT: SHEET 1 OF 1

TICO PRO-SPOTTER				
AIR SYSTEM, 2015, DOT-121, DUAL BRAKE VALVE, ABS				720968
ITEM	PART #	QTY/M	DESCRIPTION	
	720968	REF	AIR SYSTEM, 2015, DOT-121, DUAL BRAKE VALVE, ABS	
	62459	REF	SCHEMATIC- SPLIT SYSTEM, 3 TANKS, ABS, DUAL VALVES	
	40866	REF	AIR RESERVOIR ASSEMBLY	
	REF	NOTE: SET AIR GOVERNOR AT 120 PSI		
1	42087	1	ASSEMBLY, AIR TANK, TWO TANKS	
NOT SHOWN	12357	2	SUPPORT BAR, AIR TANK	
NOT SHOWN	10032	2	RESERVOIR, AIR-10	
NOT SHOWN	40393-1	8	BRACKET- AIR RESERVOIR MOUNT	
NOT SHOWN	82394	9	BOLT, HEX 3/8-16 X 1 1/2 Lg	
NOT SHOWN	85102	26	WASHER, 3/8	
NOT SHOWN	85025	13	LOCKNUT, NYLOCK 3/8-16	
NOT SHOWN	82603	4	BOLT, HEX 3/8-16 X 6 1/2 Lg	
NOT SHOWN	40022	1	VALVE, AIR PRESSURE RELEASE	
NOT SHOWN	40148	1	VALVE AIR TANK DRAIN	
NOT SHOWN	40832	1	PUSH CONNECT, BRASS STR 1/2 MPT to 1/2 TUBE	
NOT SHOWN	42064	2	PUSH CONNECT, 90 Deg 1/2 MPT to 1/2 TUBE	
NOT SHOWN	40900	1	TEE, BRASS STREET - 1/4 NPT	
NOT SHOWN	40822	1	PUSH CONNECT, 45 Deg 1/2 MPT x 1/2 TUBE	
NOT SHOWN	40824	1	PLUG, HEX HD 1/4" NPT	
NOT SHOWN	40826	1	CLAMP, LOOM 1/2"	
NOT SHOWN	40029-1	1	VALVE CHECK AIRTANK (NEWSTYLE)	
NOT SHOWN	42063	2	PUSH CONNECT, 90 Deg 1/4 MPT to 3/8 TUBE	
NOT SHOWN	40817	1	ELBOW, 90 Deg STREET 1/2 NPT TO 1/2 FPT	
NOT SHOWN	40848	1	TEE, BRASS STREET 1/2 NPT	
NOT SHOWN	41076	1	TUBE, 1/2x 20" Lg	
NOT SHOWN	82394	4	BOLT, HEX 3/8-16x 1 1/2 Lg	
NOT SHOWN	85102	8	WASHER, FLAT 3/8	
NOT SHOWN	85025	4	LOCKNUT 3/8-16 NYLOK	
NOT SHOWN	71523	REF	3rd AIR RESERVOIR	
2	12336	1	PLATE-RESERVOIR MOUNTING	
NOT SHOWN	82385	4	BOLT, HEX 1/2-13 x 1 1/4 Lg	
NOT SHOWN	85115	8	WASHER, FLAT 1/2	
NOT SHOWN	85027	4	LOCKNUT, 1/2-13	
3	10032	1	RESERVOIR, AIR	
4	40393-1	4	BRACKET- AIR RESERVOIR MOUNT	
NOT SHOWN	42265	1	FITTING, ELBOW 90°, BRASS 1/2 TUBE X 1/2 NPT	
NOT SHOWN	40029-1	1	CHECK VALVE, AIR TANK	
5	60023	1	GOVERNOR-D2 W/GASKET & 3 PLUGS	
NOT SHOWN	80308	2	CAPSCREW-M8 X 1.25 X 70 LG	
NOT SHOWN	85134	2	L'WASHER-5/16	
NOT SHOWN	40857	3	FITTING, ELBOW 90°, BRASS 1/4 TUBE X 1/8 NPT	
REV	DATE	BY		SHEET
C	02/10/2017	MAL		1 OF 5

TICO PRO-SPOTTER				
AIR SYSTEM, 2015, DOT-121, DUAL BRAKE VALVE, ABS				720968
ITEM	PART #	QTY/M	DESCRIPTION	
6	40547	1	VALVE-DUAL BRAKE, E-6	
7	90026	1	TREADLE-BRAKE	
NOT SHOWN	82360	3	BOLT-5/16 X 3/4	
NOT SHOWN	82371	3	BOLT-5/16 X 1	
NOT SHOWN	40821	2	FITTING, TEE-STREET BRASS, 3/8 NPT	
NOT SHOWN	40884	1	FITTING ELBOW 90° BRASS, 5/8 TUBE to 3/8 NPT	
NOT SHOWN	40874	2	FITTING, REDUCER-BRASS, 3/8 NPT X 1/4 NPTF	
NOT SHOWN	40881	2	FITTING, ELBOW, BRASS 45° 1/4 TUBE X 1/4 NPT	
NOT SHOWN	40819	2	FITTING, ELBOW 90° BRASS, 1/2 TUBE X 3/8 NPT	
NOT SHOWN	40823	5	FITTING, ELBOW 90° BRASS, 3/8 TUBE X 3/8 NPT	
NOT SHOWN	91236	1	SWITCH- DUAL CIRCUIT NO-NC 4 PSI SET PRESS	
NOT SHOWN	40813	1	FITTING, REDUCER BUSHING, BRASS 1/4 NPT-1/8NPT	
8	40550	1	VALVE-BRAKE QUICK RELEASE QR-1	
NOT SHOWN	81546	2	CAPSCREW-5/16-18NC X 1 1/4LG	
NOT SHOWN	85101	2	WASHER, FLAT5/16	
NOT SHOWN	85024	2	LOCKNUT, 5/16-18 NYLOK	
NOT SHOWN	40864	2	FITTING, STR BRASS 3/8 TUBE, 3/8NPT	
NOT SHOWN	42064	1	FITTING, ELBOW 90°, BRASS 1/2 TUBE, 1/2NPT	
9	40572	1	VALVE-BOBTAIL/PROPORTIONING BP-R1 W/BACKET	
NOT SHOWN	81535	2	BOLT-5/16 X 1	
NOT SHOWN	85090	4	WASHER-5/16	
NOT SHOWN	85035	2	NUT-5/16	
NOT SHOWN	40830	1	FITTING, ELBOW 45°, BRASS, 1/2 TUBE X 1/2 NPT	
NOT SHOWN	42064	2	FITTING, ELBOW 90°, BRASS 3/8 TUBE to 1/2 NPT, SWIVEL	
NOT SHOWN	42063	1	FITTING, ELBOW 90°, BRASS, 3/8 TUBE to 1/4 NPT	
NOT SHOWN	42112	1	FITTING, ELBOW 90°, BRASS, 3/8 TUBE to 1/8 NPT	
NOT SHOWN	80163	1	FITTING, PLUG ALLEN, BRASS 1/2" NPT	
NOT SHOWN	40841	1	FITTING, PLUG ALLEN, BRASS 3/8" NPT	
NOT SHOWN	40840	1	FITTING, ELBOW 90°, BRASS, 3/8 TUBE to 1/8 NPT	
10	10592	1	VALVE-BRAKE QUICK RELEASE QR-1C	
NOT SHOWN	81546	2	CAPSCREW-5/16-18NC X 1 1/4LG	
NOT SHOWN	85024	2	LOCKNUT-5/16	
NOT SHOWN	40864	1	FITTING-STR BRASS 3/8 TUBE X 3/8 NPT	
NOT SHOWN	40823	1	FITTING-90° BRASS 3/8 TUBE X 3/8 NPT	
NOT SHOWN	42063	1	FITTING-90° BRASS 3/8 TUBE X 1/4 NPT	
NOT SHOWN	40857	1	FITTING-90° BRASS 1/4 TUBE X 1/4 NPT	
REV	DATE	BY		SHEET
C	02/10/2017	MAL		2 OF 5
TICO MANUFACTURING - RIDGELAND, SC 29936				

TICO PRO-SPOTTER

AIR SYSTEM, 2015, DOT-121, DUAL BRAKE VALVE, ABS

720968

ITEM	PART #	QTY/M	DESCRIPTION	
11	10949	1	MANIFOLD-ASS'Y AIR	
NOT SHOWN	82201	2	CAPSCREW-5/16-18 X 3 LG HEX HD	
NOT SHOWN	80232	2	WASHER, FLAT 5/16	
NOT SHOWN	85209	2	LOCKNUT, 5/16-18	
NOT SHOWN	42119	1	FITTING, ELBOW 45° BRASS, 3/8 TUBE X 1/2 NPT	
NOT SHOWN	40833	2	FITTING, STR BRASS, 1/4 TUBE X 3/8 NPT	
NOT SHOWN	40840	3	FITTING, ELBOW 90° BRASS 1/4 TUBE X 3/8 NPT	
NOT SHOWN	40841	3	FITTING, PIPE PLUG, BRASS HEX 3/8 NPT	
NOT SHOWN	80163	1	FITTING, PIPE PLUG, BRASS HEX 1/2 NPT	
NOT SHOWN	11000	20 ft	TUBING-NYLON AIR BRAKE 1/4 YW	
NOT SHOWN	11020	20 ft	TUBING-NYLON AIR BRAKE 1/4 WH	
NOT SHOWN	11021	20 ft	TUBING-NYLON AIR BRAKE 1/4 BL	
NOT SHOWN	11003	20 ft	TUBING-NYLON AIR BRAKE 1/4 BK	
NOT SHOWN	11007	20 ft	TUBING-NYLON AIR BRAKE 3/8 RD	
NOT SHOWN	11001	20 ft	TUBING-NYLON AIR BRAKE 3/8 BL	
NOT SHOWN	11023	20 ft	TUBING-NYLON AIR BRAKE 3/8 GN	
NOT SHOWN	11026	20 ft	TUBING-NYLON AIR BRAKE 3/8 OR	
NOT SHOWN	11004	20 ft	TUBING-NYLON AIR BRAKE 3/8 BK	
NOT SHOWN	11013	20 ft	TUBING-NYLON AIR BRAKE 3/8 YW	
NOT SHOWN	11005	20 ft	TUBING-NYLON AIR BRAKE 1/2 BK	
NOT SHOWN	11009	20 ft	TUBING-NYLON AIR BRAKE 1/2 BL	
NOT SHOWN	11002	20 ft	TUBING-NYLON AIR BRAKE 1/2 RD	
NOT SHOWN	11014	20 ft	TUBING-NYLON AIR BRAKE 1/2 YW	
NOT SHOWN	11025	20 ft	TUBING-NYLON AIR BRAKE 5/8 BK	
NOT SHOWN	11024	20 ft	TUBING-NYLON AIR BRAKE 5/8 GN	
NOT SHOWN	40829	2	FITTING, BULKHD BRASS-1/4	
NOT SHOWN	40827	4	FITTING, BULKHD BRASS-3/8	
NOT SHOWN	42088	2	FITTING, BULKHD BRASS-1/2	
NOT SHOWN	40895	1	FITTING, TEE BRANCH BRASS, 3/8 TUBE 1/4 NPT	
NOT SHOWN	42121	1	FITTING, TEE BRANCH BRASS, 3/8 TUBE 3/8 NPT	
NOT SHOWN	40823	4	FITTING, ELBOW 90° BRASS, 3/8 TUBE X 3/8 NPT	
NOT SHOWN	42063	1	FITTING, ELBOW 90° BRASS, 3/8 TUBE X 1/4 NPT	
NOT SHOWN	42265	4	FITTING, ELBOW 90° BRASS, 1/2 TUBE X 1/2 NPT	
NOT SHOWN	40878	2	FITTING, ELBOW 90° BRASS, 5/8 TUBE X 1/2 NPT	
NOT SHOWN	50038-3	2	FITTING - HOSE W/ SPRING, 1/2" NPT x 3/8"	
REV	DATE	BY		SHEET
C	02/10/2017	MAL		3 OF 5

TICO MANUFACTURING - RIDGELAND, SC 29936

TICO PRO-SPOTTER

AIR SYSTEM, 2015, DOT-121, DUAL BRAKE VALVE, ABS

720968

ITEM	PART #	QTY/M	DESCRIPTION
NOT SHOWN	40829	1	BULKHD, BRASS-1/4
NOT SHOWN	40883	1	FITTING, STR 1/4 NPT TO 1/4 TUBE
NOT SHOWN	42063	1	FITTING, ELBOW 90° BRASS, 3/8 TUBE X 1/4 NPT
NOT SHOWN	91272	1	SWITCH-PRESSURE, LOW AIR WARNING
NOT SHOWN	91271	1	BUZZER-LOW AIR WARNING, 75-95 Dba
NOT SHOWN	42298	1	FITTING-FEMALE BRANCH TEE, BRASS, 1/4 TUBE X 1/4 NPT
12	40635	1	VALVE-TRACTOR PROTECTION TP-3DC
NOT SHOWN	82459	2	BOLT-5/16 X 3 LG
NOT SHOWN	85090	4	WASHER-5/16
NOT SHOWN	85035	2	NUT-5/16
NOT SHOWN	90078	1	SWITCH-PRESSURE, STOP LIGHT, BENDIX SL-5
NOT SHOWN	42208	1	FITTING, STREET ELBOW 90°, 1/4 NPT
NOT SHOWN	42063	1	FITTING, ELBOW 90° BRASS, 3/8 TUBE X 1/4 NPT
NOT SHOWN	40823	1	FITTING, ELBOW 90° BRASS, 3/8 TUBE X 3/8 NPT
NOT SHOWN	40906	1	FITTING, NIPPLE-HEX BRASS, 3/8 NPT
NOT SHOWN	42240	1	FITTING, ELBOW 90° BRASS, 3/8 TUBE X 3/8 NPTF
13	50224	1	GLADHAND-BLUE, CAST IRON
14	50225	1	GLADHAND-RED, CAST IRON
15	50038-1	2	GLADHAND-BLUE, ALUM
16	50039-1	2	GLADHAND-RED, ALUM
17	50303	2	HOSE ASSY-TRAILER AIR 3/8 X 15 FT
NOT SHOWN	10356	1	SPRING
NOT SHOWN	920285	1	CLAMP, TRAILER HOSE, 3 CAVITY
NOT SHOWN	40799	2	FITTING, CLOSE NIPPLE BRASS, 1/2 NPT
NOT SHOWN	40899	2	FITTING, STREET ELBOW 45° BRASS, 1/2 NPT
NOT SHOWN	91966	1	VALVE-INVERSION TR-3
NOT SHOWN	40885	1	FITTING, ELBOW 90° BRASS, 3/8 TUBE X 1/8 NPT, SWIVEL
NOT SHOWN	40861	2	FITTING, ELBOW 90° BRASS, 1/4 TUBE X 1/4 NP, SWIVEL
NOT SHOWN	42273	1	FITTING - UNION TEE, BRASS, 3/8" TUBE

REV	DATE	BY	SHEET
C	02/10/2017	MAL	4 OF 5

