
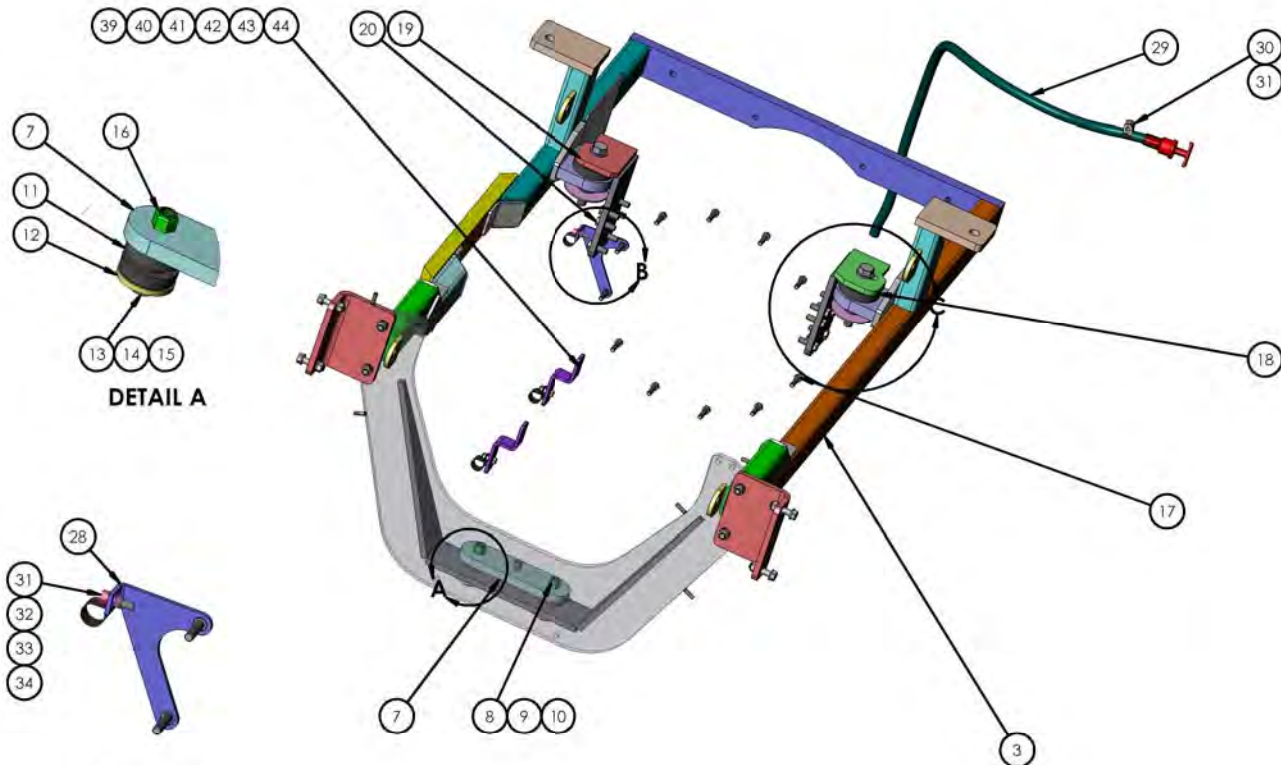
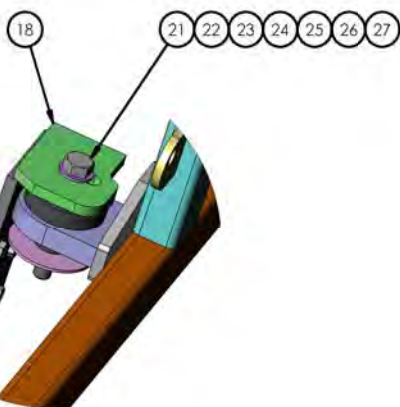


DIMENSIONS ARE IN INCHES		NAME	DATE	 TICO/TERMINAL SERVICE 66 CYPRESS RIDGE DR. RIDGELAND, SC 29936 (843) 717-2226	
TOLERANCES:		DRAWN	MAL		02/16/2017
DECIMAL:		CHECKED			
.XX ± 0.06 .XXX ± 0.03 .XXXX ± 0.005 ANGULAR ± 0.5° FRACTIONAL ± 1/32"		APPROVED			
INTERPRET GEOMETRIC TOLERANCING PER: ASME 14.5M-1994		DO NOT SCALE DRAWING			TITLE: ENGINE & TRANSMISSION
MATERIAL		THE SUBJECT MATTER SHOWN AND DESCRIBED IN THIS DRAWING AND ANY OTHER INFORMATION ADVANCED IN CONNECTION THEREWITH IS PROPRIETARY PROPERTY AND IS TO BE HELD IN STRICT CONFIDENCE BY YOU. ALL RIGHTS TO ANY INVENTIONS, DESIGNS, TRADE MARKS, TRADE NAMES AND COPYRIGHTS DISCLOSED ARE RESERVED TO TICO TERMINAL SERVICES, INC.			SIZE DWG. NO. REV
FINISH					C 721100-C1
THICKNESS					SCALE: 1:48 WEIGHT: SHEET 1 OF 1

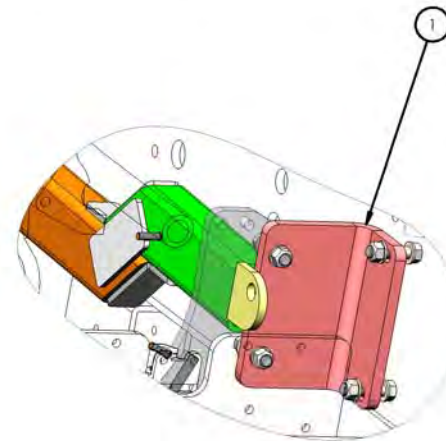
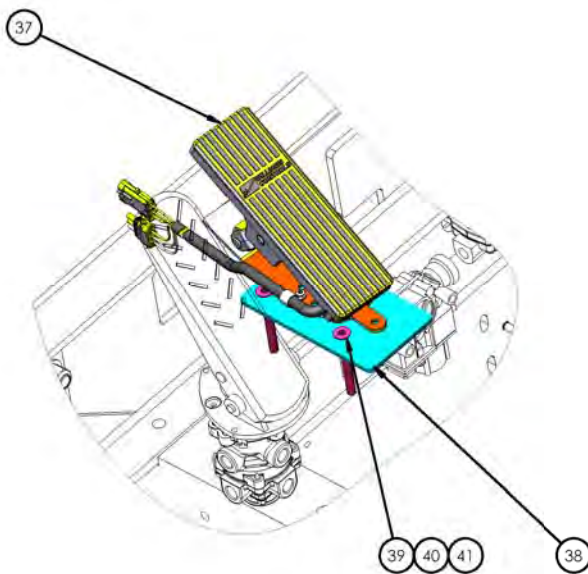


DETAIL A

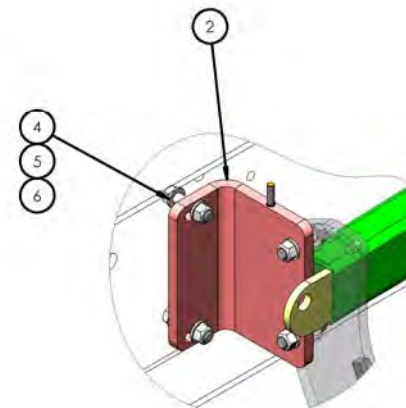
DETAIL B



DETAIL C



LH BRACKET, FRONT



RH BRACKET, FRONT

DIMENSIONS ARE IN INCHES		NAME	DATE	 TICO/TERMINAL SERVICE 66 CYPRESS RIDGE DR. RIDGELAND, SC 29936 (843) 717-2226
TOLERANCES: DECIMAL: XX .06 XXX .03 XXXX .005 ANGULAR: .5° FRACATIONAL: 1/32"		DRAWN	MAL	
INTERPRET GEOMETRIC TOLERANCING PER: ASME Y14.5M-1994		CHECKED		TITLE: ENGINE & TRANSMISSION
MATERIAL		APPROVED		SIZE DWG. NO. 721100-C1
FINISH		DO NOT SCALE DRAWING		REV
THICKNESS		THE SUBJECT MATTER SHOWN AND DESCRIBED IN THIS DRAWING AND ANY OTHER INFORMATION ADVANCED IN CONNECTION THEREWITH IS THE PROPERTY OF TICO/TERMINAL SERVICE AND IS TO BE HELD IN STRICT CONFIDENCE BY YOU. ALL RIGHTS TO ANY INVENTIONS, DESIGN, TRADE MARKS, TRADE NAMES AND COPYRIGHTS DECLARED ARE RESERVED TO TICO/TERMINAL SERVICE, INC.		SCALE: 1:48 WEIGHT: SHEET 1 OF 1

TICO PRO-SPOTTER							
ENGINE & TRANSMISSION QSB-IVI-146HP @2100/RDS3000						720966	
ITEM	PART #	QTY/M	DESCRIPTION				
	720966-C1	REF	ENGINE & TRANSMISSION 2016-ISB 200 HP/RDS 3000 GEN V				
NOT SHOWN	620481	1	ENGINE-CUMMINS 2016-ISB, 200 HP@ 2600RPM, BLK HTR, DELCO STARTER/ALT,W-AC				
NOT SHOWN	60799-13	1	TRANSMISSION-RDS 3000 SERIES TC-415				
NOT SHOWN	62185	1	TCM-1st-5th, 1950/2800 RPM, GEN V				
NOT SHOWN	62192	1	SHIFTER-TRANSMISSION PUSH BUTTON GEN V				
1	61572-5	1	MOUNT-FRONT ENGINE-FRAME				
NOT SHOWN	61572-9-R	1	BRACKET, UNFINISHED FRONT ENGINE MOUNT				
NOT SHOWN	80349	1	STUD, 5/16-18 X 1"LG WELD				
2	61572-9	1	BRACKET, FRONT ENGINE MOUNT				
3	62115	1	ENGINE CRADLE, ISB				
	60749-2	2	TOP PLATE CRADLE				
	61758-2	2	VERTICAL TUBE				
	61686-7	2	MOUNTING PLATE REAR ENGINE				
	60622-3	4	LIFT EYE				
	61686-23	2	REINFORCING PLATE				
	12132	1	MOUNT PLATE - DCU				
	61686-2	1	LONGITUDINAL TUBE				
	61572	1	MOUNT-FRONT ENGINE				
	61572-3	1	MOUNT PLATE - FRONT ISOLATOR				
	61572-4	1	ENGINE MOUNT PLATE - FRONT				
	61572-6	2	GUSSET - FRONT ENG MOUNT				
	61758-4	1	END PLATE				
	61686-24	1	LONGITUDINAL BAR				
	61686-18	1	LONGITUDINAL TUBE				
	61686-1	2	LONGITUDINAL TUBE				
	61686-19	1	LONGITUDINAL TUBE				
	61686-12	2	END PLATE				
	61686-21	4	END PLATE				
	61686-22	2	FLAT BAR				
	80349	5	STUD, 5/16-18 X 1"LG WELD				
4	82418	8	BOLT, HEX 1/2-13 X 2 LG - FRONT MOUNTS				
5	85027	8	LOCKNUT, NYLON 1/2-13				
6	85093	16	WASHER, FLAT 1/2-13				
7	60809	1	MOUNTING PLATE FRONT ENGINE MOUNT				
NOT SHOWN	82508	2	BOLT, HEX HD 3/4-16 UNC X 4 LONG				
NOT SHOWN	85095	2	WASHER, 3/4				
NOT SHOWN	85029	2	NUT, NYLOCK 3/4-16 UNC				
REV	DATE	BY					SHEET
A	02/16/2017	MAL					1 OF 4
TICO MANUFACTURING - RIDGELAND, SC 29936							

TICO PRO-SPOTTER				
ENGINE & TRANSMISSION QSB-IVI-146HP @2100/RDS3000				720966
ITEM	PART #	QTY/M	Description	
NOT SHOWN	60061	1	PRESSURE STAT 10 Lbs	
NOT SHOWN	40467	1	FITTING, TEE STREET, 1/8 NPT	
NOT SHOWN	91068	1	SENSOR-OIL PRESS GAUGE	
NOT SHOWN	91069	1	SENSOR-WATER TEMP GAUGE	
NOT SHOWN	12091	1	SPACER-DIPSTICK	
NOT SHOWN	62412	1	HARNESS-ENGINE 2015-ISB	
NOT SHOWN	620555-1	1	HARNESS- TRANS ALLISON GEN V-W/ABS, 500K DATA, BRAID	
NOT SHOWN	91222	1	CABLE 2 GA BLACK ALT TO STARTER 33"	
NOT SHOWN	91221	1	CABLE 2 GA RED ALT TO STARTER 38"	
NOT SHOWN	91171	1	WIRE ASSY-AIR INTAKE HEATER	
NOT SHOWN	91232	1	WIRE ASS'Y-ECM GRD/BATT	
NOT SHOWN	61704	1	BRACKET-STANDOFF	
37	61640	1	PEDAL ACCELERATOR - ELECTRONIC ISB	
38	90632	1	MOUNTING PLATE ELECTRIC THROTTLE	
NOT SHOWN	90632-1	1	MTG PLATE	
NOT SHOWN	80136	2	STUD 5/16-18 X 1-1/4 LONG	
39	83318	2	SC HC SCREW 3/8-16 x 3 1/2" LONG	
40	85113	2	WASHER, FLAT 3/8	
41	85036	2	LOCKNUT, 3/8-16	
42	85111	2	WASHER, FLAT 1/4	
NOT SHOWN	85133	2	LOCKWASHER, 1/4	
43	85012	2	LOCKNUT 1/4-20	
NOT SHOWN	42050	1	FITTING, TEE BRANCH, BRASS, 3/4 NPT	
NOT SHOWN	42055	1	FITTING, BARB HOSE - 45°, # 16 HOSE X 3/4 NPT	
NOT SHOWN	40752	1	FITTING, REDUCER, BRASS, 3/4 MNPT X 1/2 NPT	
NOT SHOWN	42049	1	FITTING, TEE BRANCH, BRASS, 1/2 NPT	
NOT SHOWN	42047	1	FITTING, BARB HOSE - STR, # 10 HOSE X 1/2 NPT	
NOT SHOWN	42178	1	FITTING, BARB HOSE - 90°, # 10 HOSE X 1/2 NPT	
NOT SHOWN	40752	1	FITTING, REDUCER, BRASS, 3/4 MNPT X 1/2 NPT	
NOT SHOWN	41026	1	HOSE, ASSY, #12X 86" LONG, TRANS to COOLER	
NOT SHOWN	41240	1	HOSE, ASSY, #12X 93" LONG, TRANS to COOLER	
NOT SHOWN	40471	2	FITTING, ADAPTER STR, 3/4 O RING to # 12 JIC	
NOT SHOWN	10624	2	FITTING, ELBOW 90°, 3/4 O RING to # 12 JIC	
NOT SHOWN	910393	1	CAP-ENGINE BLOCK HEATER	
44	60956	2	BRACKET TRANS COOLING LINE	
REV	DATE	BY		
A	02/16/2017	MAL		
TICO MANUFACTURING - RIDGELAND, SC 29936				SHEET 3 OF 4

