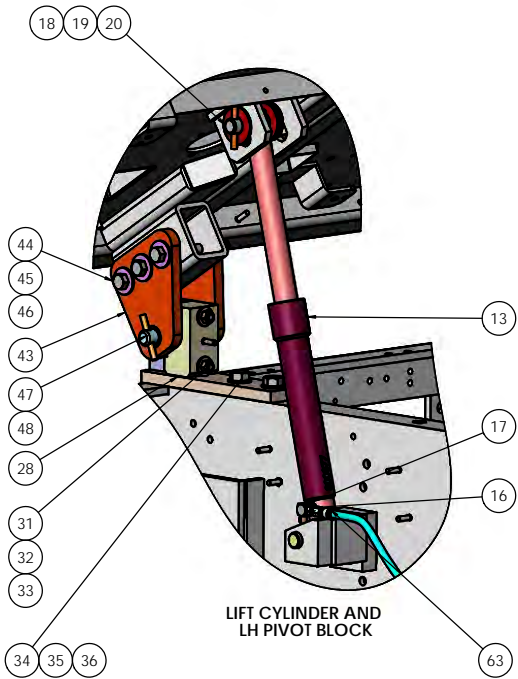
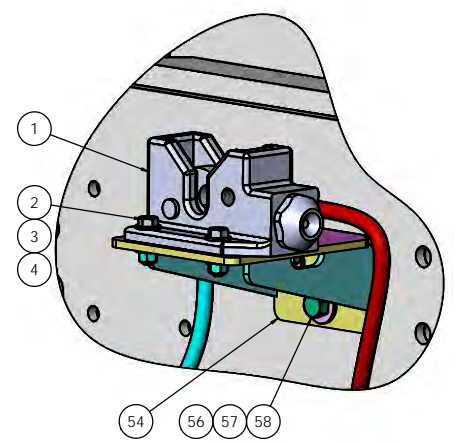


CAB SUSPENSION LEFT-HAND OVERVIEW



LIFT CYLINDER AND LH PIVOT BLOCK



CAB LATCH

DIMENSIONS ARE IN INCHES		NAME	DATE	 WCO MANUFACTURING 843 CYPRESS RIDGE DR. ROCKLAND, NC 29086 (843) 717-2226
DRAWN	MAL	6/14/2017		
CHECKED				TITLE: CAB SUSPENSION & PIVOTS SIZE: DWG. NO. 720961-B1 REV D
APPROVED				
TOLERANCES ARE IN INCHES DECIMALS: .0005 FRACTIONS: 1/32 ANGULAR: .01° HOLE POSITION: .015"		THE SUBJECT MATTER SHOWN AND DESCRIBED IN THE DRAWING AND ANY OTHER INFORMATION CONTAINED HEREIN IS THE PROPERTY OF WCO. ALL RIGHTS TO ANY PATENTS, TRADEMARKS, OR OTHER INTELLECTUAL PROPERTY ARE RESERVED TO WCO. SERVICE, INC.		SCALE: 1:32 [WEIGHT: 3950.78] SHEET 1 OF 2

TICO PRO-SPOTTER

CAB SUSPENSION, 2015-ISB/QSB-IV, LIFT PUMP ASSEMBLY REAR MOUNTED

720961

ITEM	PART #	QTY/M	DESCRIPTION	
	720961-B1	REF	CAB SUSPENSION, 2015-ISB/QSB-IV, LIFT PUMP ASSEMBLY REAR MOUNTED	
1	30096-1	2	LATCH, CAB CUSHION AIR RIDE	
NOT SHOWN	30096-5	2	WASHER, BUSHING RETAINER CAB CUSHION	
2	82383	8	BOLT, HEX 3/8-16 x 1 1/4	
3	85113	16	WASHER, FLAT	
4	85036	8	LOCK NUT 3/8-16	
5	40473	2	FITTING, STEEL	
6	10625	2	FITTING, ADAPTER BRASS STRAIGHT 1/4 x 1/4	
7	30096-2	1	ASSEMBLY, AIRBAG LARGE	
8	30096-3	1	ASSEMBLY, AIRBAG SMALL	
NOT SHOWN	30096-5	2	WASHER, BUSHING RETAINER CAB CUSHION	
9	82383	8	BOLT, HEX 3/8-16 x 1 1/4 AIRBAGS	
10	85113	16	WASHER, FLAT	
11	85036	8	LOCK NUT 3/8-16	
12	200348	1	CAB LIFT PUMP INSTALLATION-REAR	
13	300377	1	CYLINDER, CAB LIFT HYDRAULIC	
14	10071-4	1	PIN, CAB LIFT CYLINDER LOWER	
15	40018	1	PIN,3/8 ROLL	
16	42001	1	STRAIGHT ADAPTER 1/4 O-RING TO 1/4 JIC	
17	420314	1	VALVE, VELOCITY FUSE,90° SWIVEL, 0.2 TO 4.0 GPM, CLOSING FLOW 0.8 GPM	
18	90341	1	PIN - UPPER LIFT CYLINDER	
19	40018	1	PIN - 3/8 ROLL	
20	85119	9	WASHER, FLAT 1"	
21	41151	1	HOSE ASSY- NO 4, OAL 41 1/2LG, STR/90°	
22	41298	1	HOSE ASSY - NO 4, OAL 73-3/4" LG, STR/STR	
23	41228	1	HOSE ASSY-NO 4, OAL 80 1/2LG, STR/90°	
24	40833	1	FITTING, STR ADAPTER, 3/8" NPTM X 1/4" TUBE, PUSH-ON, BRASS	
25	11000	20IN	TUBE, 1/4 OD AIR BRAKE (YELLOW) x 20" Lg	
26	41069	1	LOOM 1/4" ID - DELL CITY P/N 783	
27	41069	1	LOOM 1/4" ID - DELL CITY P/N 783	
REV	DATE	BY		SHEET
B	9/14/2017	MAL		1 OF 3

TICO PRO-SPOTTER				
CAB SUSPENSION, 2015-ISB/QSB-IV, LIFT PUMP ASSEMBLY REAR MOUNTED				720961
ITEM	PART #	QTY/M	DESCRIPTION	
28	121021	1	BLOCK ASS'Y, LH CAB PIVOT, GALV	
29	121020	1	BLOCK ASS'Y, RH CAB PIVOT, GALV	
30	90688	2	BUSHING, MOD RUBBER CAB PIVOT 2.06 OD	
31	82528	4	BOLT 1/2-13 X 4-1/4 Lg	
32	85115	8	WASHER, FLAT 1/2	
33	85038	4	LOCK NUT 1/2-13	
34	82464	4	BOLT 3/4-10 X 3 Lg	
35	85040	4	LOCK NUT 3/4-10	
36	85117	8	WASHER, FLAT 3/4	
37	85115	2	WASHER, FLAT 1/2	
38	85071	2	NUT-NYLOCK, 1/2-20UNF	
39	121013	2	PLATE ASS'Y, RH GALV CAB PIVOT	
40	82595	3	BOLT 5/8-11 X 6 Lg	
41	85028	3	LOCK NUT 5/8-11	
42	85116	6	WASHER, FLAT 5/8	
43	121015	2	PLATE ASS'Y, LH GALV CAB PIVOT	
44	82595	3	BOLT 5/8-11 X 6 Lg	
45	85028	3	LOCK NUT 5/8-11	
46	85116	6	WASHER, FLAT 5/8	
47	121010	2	PIN, CAB PIVOT	
48	40018	4	PIN, 3/8 ROLL x 2"	
49	12361	1	LATCH, CAB SAFETY BAR	
50	10945-3	1	PIN, 1" CAB SAFETY LATCH BAR	
51	40018	2	PIN, 3/8 ROLL x 2"	
52	85119	2	WASHER, FLAT 1"	
53	12168	1	DECAL-CAB PUMP INSTRUCTIONS	
54	20157	1	BRACKET, CAB CUSHION WELDMENT, LH	
55	20158	1	BRACKET, CAB CUSHION WELDMENT, RH	
56	82396	6	BOLT 1/2-13 X 1-1/2 Lg	
57	85038	6	LOCK NUT 1/2-13	
58	85115	12	WASHER, FLAT 1/2	
NOT SHOWN	12351	REF	SHIM PLATE CAB PIVOT	
NOTE: USE AS REQUIRED				
REV	DATE	BY		SHEET
B	9/14/2017	MAL		2 OF 3
TICO MANUFACTURING - RIDGELAND, SC 29936				

