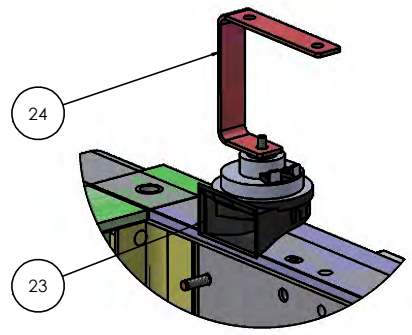
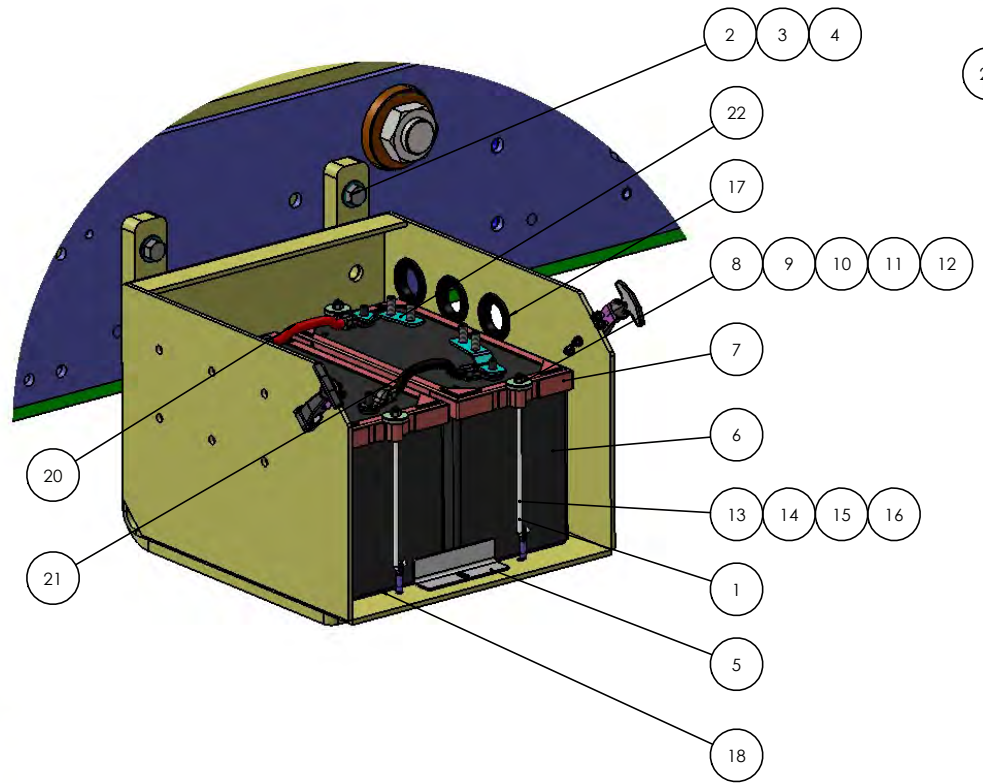


BACKUP ALARM ASS'Y



ELECTRIC HORN
ELECTRIC HORN

DIMENSIONS ARE IN INCHES		NAME	DATE	TICO MANUFACTURING 44 CYPRESS RIDGE DR. ROCKLAND, SC 29574 TICORACTORS.COM
DESIGNER	SCALE	ACOM	5/26/20	
REVISED	BY	DATE	DESCRIPTION	TITLE: 720957 BATTERY BOX ASSEMBLY
FUNCTIONAL	XXX	01/13	IMPROVED ELECTRICAL CONNECTIONS FOR BATTERY ASSEMBLY	
ANGULAR	XXX	01/13	ADDED ELECTRICAL CONNECTIONS FOR BATTERY ASSEMBLY	SIZE DWG. NO. REV
FUNCTIONAL	XXX	01/13	ADDED ELECTRICAL CONNECTIONS FOR BATTERY ASSEMBLY	
INTERPRET	XXX	01/13	ADDED ELECTRICAL CONNECTIONS FOR BATTERY ASSEMBLY	SCALE: 1:20 WEIGHT: SHEET 1 OF 1
DATE	XXX	01/13	ADDED ELECTRICAL CONNECTIONS FOR BATTERY ASSEMBLY	
ISSUED	XXX	01/13	ADDED ELECTRICAL CONNECTIONS FOR BATTERY ASSEMBLY	
REVISION	XXX	01/13	ADDED ELECTRICAL CONNECTIONS FOR BATTERY ASSEMBLY	

720957 BATTERY BOX ASSEMBLY

TICO PRO-SPOTTER				
ZBATTERY & WIRING - 2015-ISB, THERMA-TECH ELEC, 2-730 CCA BATTs, STANDARD BACK-UP, 128" WB, DELCO, GALV				720957
ITEM	PART #	QTY/M	DESCRIPTION	
	71385A	REF	BATTERY & WIRING - QSB3, RDS, 2 BATTERIES	
1	200338	1	BATTERY BOX ASSS'Y, 2015-ISB/QSB-IV, GALV	
2	82474	4	BOLT, 5/8 -11 x 3.5 Lg - BATTERY BOX to FRM	
3	85028	4	LOCKNUT NYLOK, 5/8-11	
4	85094	8	WASHER, FLAT 5/8	
5	12070	1	BRACKET, BATTERY STOP	
6	91814	2	BATTERY-31 SERIES, 730 CCA, 12V	
7	20075	2	BATTERY HOLD DOWN	
8	20012	4	ASSEMBLY, J-BOLT	
9	20012-1	4	J-BOLT x 1/4-20 - BATTERY HOLD DOWN	
10	80129	4	WASHER, FENDER 1/4-20	
11	85023	4	NUT, NYLOCK 1/4-20	
12	20077	4	COUPLING, EYE 1/4-20	
13	20012-4	4	WASHER, .25 x 1.25 x .88 GRAY PLASTIC	
14	85111	8	WASHER, FLAT 1/4	
15	82381	4	BOLT, HEX 1/4-20 X 1-1/4	
16	85133	4	LOCKWASHER, 1/4	
17	90114	3	GROMMET	
18	40210-2	1	RUBBER MAT	
NS	85133	4	LOCKWASHER, 1/4	
19	91250	1	BACKUP ALARM ASSEMBLY, STANDARD, VELVAC	
NS	62167	1	HARNESS-BACK UP ALARM	
NS	80129	2	WASHER, FENDER 1/4-20 x 1 1/4 OD	
NS	85111	2	WASHER, FLAT 1/4	
NS	85133	2	LOCKWASHER, 1/4	
NS	85023	2	LOCKNUT, HEX NYLOK 1/4-20	
20	90843	1	CABLE - 3/0 RED BATTERY JUMPER 8.75"LG	
21	90844	1	CABLE - 3/0 BLK BATTERY JUMPER 8.75" LG	
NS	910325	1	CABLE - 3/0 RED BATTERY to STARTER 48" Lg	
NS	91525	1	CABLE - 3/0 RED BATTERY to PDC 41-1/2" Lg	
NS	910326	1	CABLE - 3/0 BLK BATTERY to PDC 51" LG	
NS	90837	1	CABLE - 3/0 BLK BATTERY to STARTER 65.5" LG	
NS	90877	1	CABLE - 1/0 RED LIFT PUMP to PDC 52 WIRE	
22	90957	2	BATTERY BUSS BAR	
NS	62410	1	HARNESS - CHASSIS PDC ISB13, SEALED POWER CONNECTIONS	
23	90207	1	HORN, ELECTRIC	
24	62265	1	BRACKET - C, FRAME WIRING STANDOFF	
REV	DATE	BY		SHEET
A	5/26/2020	AGW		1 OF 2

