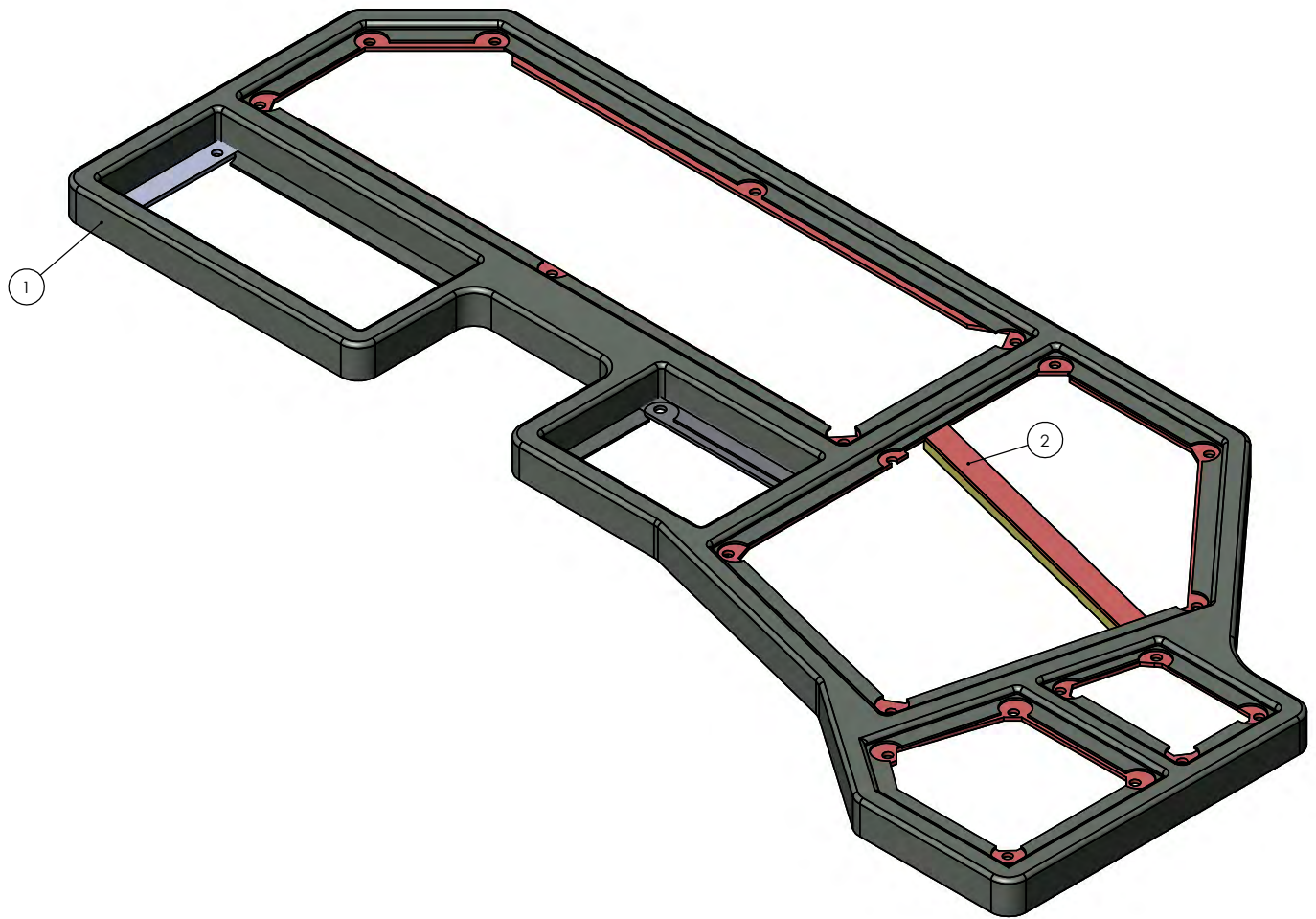


DIMENSIONS ARE IN INCHES		NAME	DATE	TICO MANUFACTURING 44 CYPRESS RIDGE DR. ROSELAND, NC 27068 (843) 717-2226
TOLERANCES:		DRAWN	ADW	
DECIMAL	.0005	BY	8/104	CHECKED
FRACTIONAL	1/16"	XXX	8/103	
ANGULAR	± 0.1°	XXX	8/103	APPROVED
FUNCTIONAL	± 0.1°	XXX	8/103	
DO NOT SCALE DRAWING		THE SUBJECT MATTER SHOWN AND DESCRIBED IN THIS DRAWING AND ANY OTHER INFORMATION CONTAINED HEREIN IS THE PROPERTY OF TICO MANUFACTURING, INC. AND IS TO BE USED ONLY FOR THE PURPOSES SPECIFIED HEREIN. ALL RIGHTS TO ANY PATENTS, TRADEMARKS, OR OTHER INTELLECTUAL PROPERTY ARE RESERVED BY TICO MANUFACTURING, INC.		
DATE	N/A	SIZE	DWG. NO.	REV
ISSUE	SEE NOTE	D	720956-A1	
REVISION	N/A	SCALE	1:4	WEIGHT: 19.69
				SHEET 1 OF 1

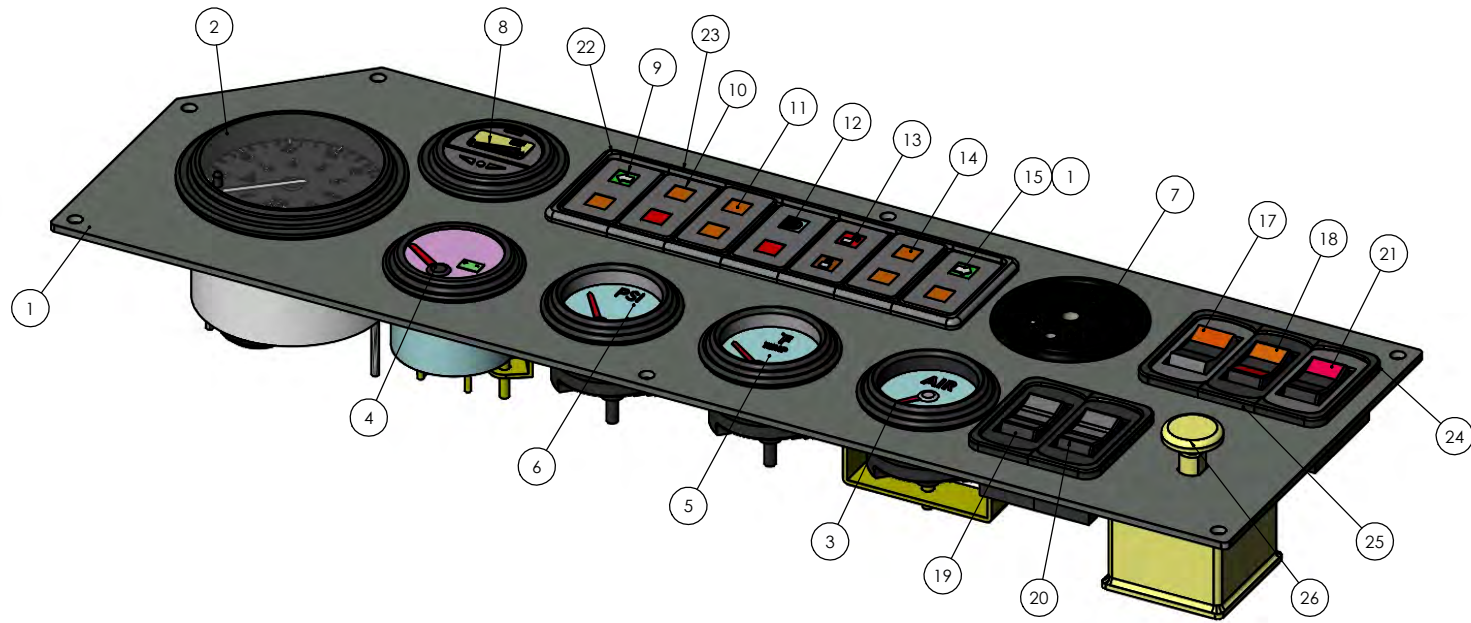
720956-A1



DIMENSIONS ARE IN INCHES		NAME	DATE	TICO MANUFACTURING	
TOLERANCES:		DRAWN	ADW	06/22/2020	66 CYPRESS RIDGE DR.
DECIMAL	.XX	CHECKED			ROCKLAND, NC 29154
	.XXX	APPROVED			TICORACTORS.COM
FRACTIONAL	1/16 & 3/32	DO NOT SCALE DRAWING			
ANGULAR	± 0.1°	THE SUBJECT MATTER SHOWN AND			
FRACTIONAL	± 1/16°	DESCRIBED IN THIS DRAWING AND ANY			
INSURE GEOMETRIC TOLERANCING		OTHER REFERENCE IS INVOLVED IN			
PER ASME Y14.5M-1994		CONSTRUCTION AND DIMENSIONS TO BE			
		REVIEWED FOR CONFORMANCE TO BE			
		ALL RIGHTS TO ANY INVENTIONS			
		HEREIN, INCLUDING THIS DRAWING,			
		ARE RESERVED BY TICO MANUFACTURING			
		OR ITS AFFILIATES.			

TICO
 TITLE: DASH COVER ASSEMBLY ISB
 10
 SIZE DWG. NO. 91646-A1 ILL REV
 D SCALE: 1:4 WEIGHT: 7.29 SHEET 1 OF 1

D 91646-A1 ILL 10/1



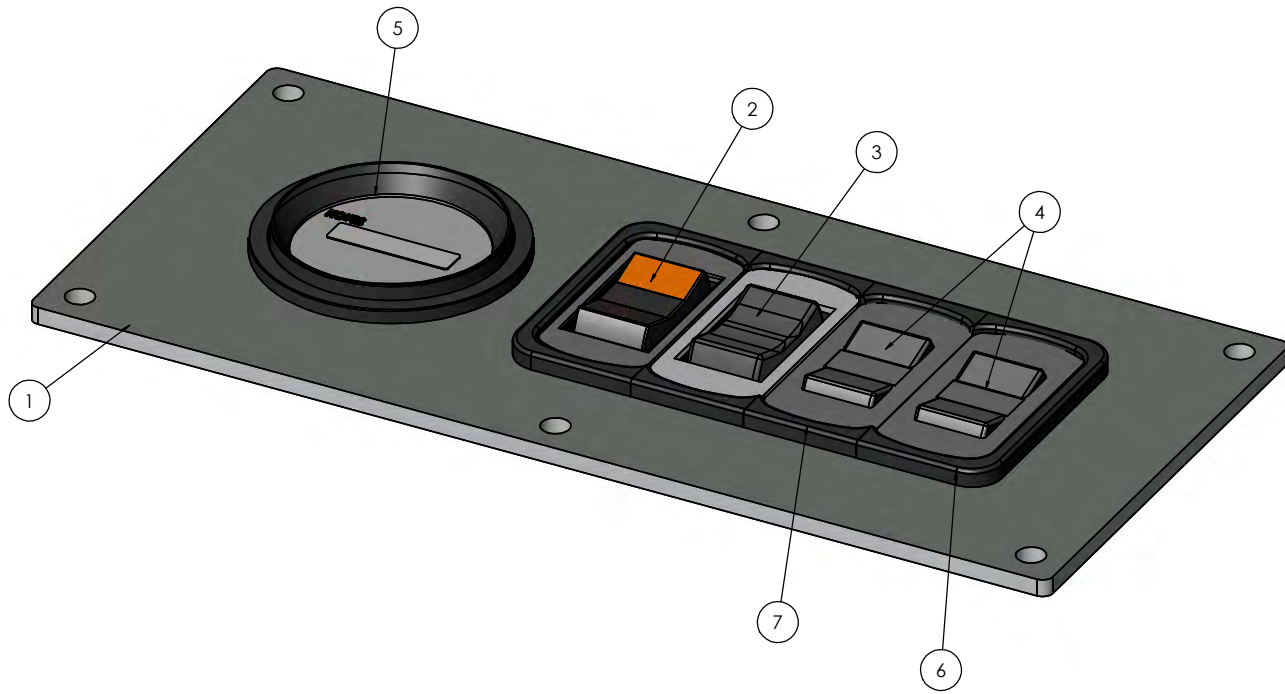
DIMENSIONS ARE IN INCHES		NAME	DATE	TICO MANUFACTURING
TOLERANCES:	DECIMAL	DRAWN	ADW	06/22/2020
	.005	CHECKED		44 CYPRESS RIDGE DR.
	.010	APPROVED		ROCKLAND, SC 29574
	.015			TICORACTORS.COM
	.030			
ANGULAR:	± 1.0°	DO NOT SCALE DRAWING		
FRACTONAL:	± .005	THE SUBJECT MATTER SHOWN AND		
		DESCRIBED IN THIS DRAWING AND ANY		
		OTHER REFERENCE IS ADVANCED BY		
		CONTRACTOR INSTRUMENTS, U.S.		
		REGISTERED PROPRIETARY AND TO BE		
		USED ONLY IN CONNECTION WITH THE		
		ORIGINAL INSTRUMENTS. ALL RIGHTS		
		RESERVED. NO OTHER REPRODUCTION		
		OR TRANSMISSION OF ANY KIND		
		WITHOUT THE WRITTEN PERMISSION		
		OF TICO MANUFACTURING, INC.		
INSPECTOR OF CONTRACTING				
FOR NAME: 01-01-17-17				
DATE:				
BY:				
SEE NOTE				
REVISION:				

TICO

ASSY PANEL DASH GAUGE -
2013-18 MPH SPEEDO INT
WIPER

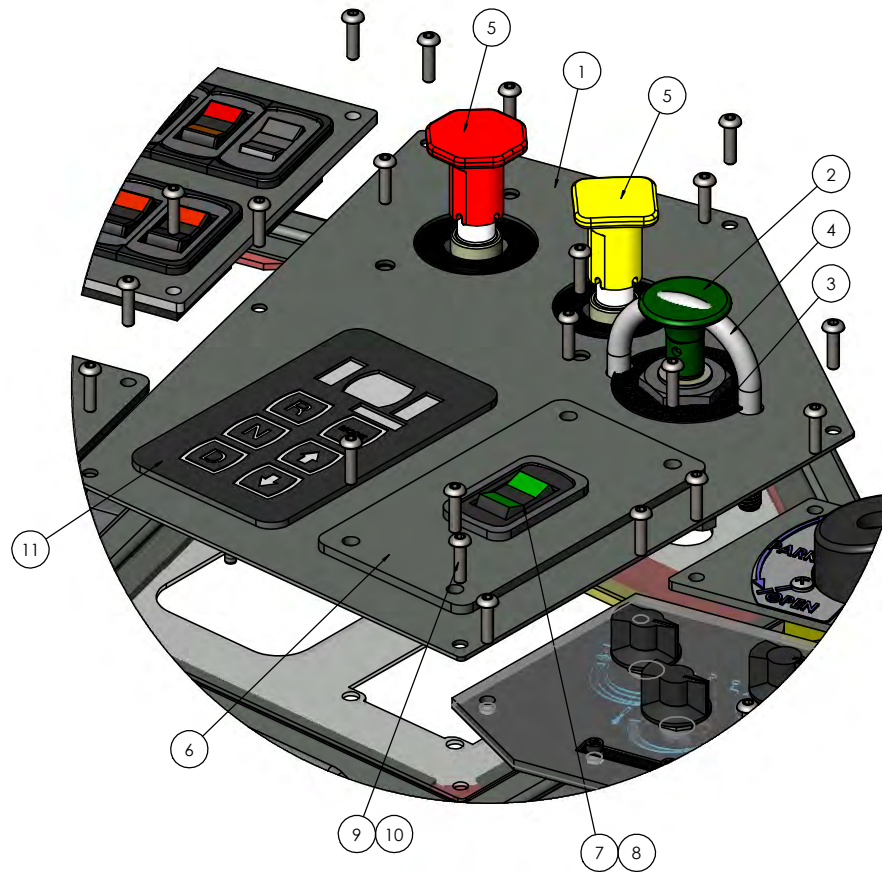
SCALE: 1:2 | WEIGHT: 2.23 | SHEET 1 OF 1

20266-A1 ILL



DIMENSIONS ARE IN INCHES		NAME	DATE	TICO MANUFACTURING
TOLERANCES:		DRAWN	ADW	04/09/2020
DECIMAL	.0005	CHECKED		44 CYPRESS RIDGE DR.
FRACTIONAL	1/32	APPROVED		ROCKLAND, NC 27854
ANGULAR	± 0.1°			TICORACTORS.COM
FUNCTIONAL	± 0.001			
DO NOT SCALE DRAWING				
INSURE GEOMETRIC TOLERANCING PER ASME Y14.5M				
THE SUBJECT MATTER SHOWN AND DESCRIBED IN THIS DRAWING AND ANY OTHER INFORMATION CONTAINED IN CONNECTION HEREWITH IS THE PROPERTY OF TICO MANUFACTURING AND IS TO BE KEPT IN CONFIDENCE BY ALL PARTS TO WHOM IT IS FURNISHED. NO PARTS, INFORMATION, DRAWINGS, AND COMPONENTS DESCRIBED ARE TO BE REPRODUCED OR USED IN ANY MANNER WITHOUT THE WRITTEN PERMISSION OF TICO MANUFACTURING.				
DATE		SIZE	DWG. NO.	REV
		D	91780-A1	
		SCALE: 1:1	WEIGHT: 0.48	SHEET 1 OF 1

91780-A1



DIMENSIONS ARE IN INCHES		NAME	DATE	TICO MANUFACTURING
TOLERANCES:	DECIMAL	DRAWN	ADW	6/16/2020
	.005	CHECKED		66 CYPRESS RIDGE DR.
	.010	APPROVED		ROCKLAND, SC 29554
	.015			TICORACTORS.COM
	.030			
	.060			
	.125			
ANGULAR:	± 1.0°	DO NOT SCALE DRAWING		
FRACTIONAL:	± .005	THE SUBJECT MATTER SHOWN AND		
		DESCRIBED IN THIS DRAWING AND ANY		
		OTHER REFERENCE DRAWINGS IS		
		CONSIDERED TO BE THE PROPERTY OF		
		TICO MANUFACTURING AND IS TO BE		
		RETURNED TO THE COMPANY FROM		
		WHICH IT WAS LOANED TO YOU BY THE		
		COMPANY. NO OTHER REPRODUCTION		
		OR DISSEMINATION OF THIS DRAWING		
		OR INFORMATION THEREON IS TO BE		
		FORWARDED TO TICO MANUFACTURING		
		WITHOUT WRITTEN PERMISSION.		
		TICO MANUFACTURING		
		RESERVED		
TITLE:		DASH PANEL-PB		
SIZE:		D		
DWG. NO.:		20116-A1 ILL		
REV:		1		
SCALE:		1:4		
WEIGHT:		18.03		
SHEET:		1 OF 1		

D 20116-A1 ILL 1/1



DIMENSIONS ARE IN INCHES		NAME	DATE	TICO MANUFACTURING		
TOLERANCES:		DRAWN	ADW	04/22/2020		
DECIMAL	.005	CHECKED		44 CYPRESS RIDGE DR.		
FRACTIONAL	1/32	APPROVED		ROCKLAND, NC 27854		
ANGULAR	± 0.1°			TICORACTORS.COM		
FUNCTIONAL	± 0.005					
INSURE GEOMETRIC TOLERANCING PER ASME Y14.5M		DO NOT SCALE DRAWING		TITLE: HEATER CONTROL ASSEMBLY		
UNLESS OTHERWISE SPECIFIED, ALL DIMENSIONS ARE TO BE TAKEN FROM THE DIMENSIONED SURFACE UNLESS OTHERWISE SPECIFIED.		THE SUBJECT MATTER SHOWN AND DESCRIBED IN THIS DRAWING AND ANY OTHER INFORMATION CONTAINED HEREIN IS THE PROPERTY OF TICO MANUFACTURING, INC. AND IS TO BE KEPT IN CONFIDENCE BY ALL PARTS TO WHOM IT IS FURNISHED. NO PARTS, INFORMATION, DRAWINGS, OR OTHER DOCUMENTS ARE TO BE REPRODUCED OR USED FOR ANY OTHER PURPOSE WITHOUT THE WRITTEN PERMISSION OF TICO MANUFACTURING, INC.		SIZE	DWG. NO.	REV
MATERIAL: 304 STAINLESS STEEL		SCALE: 1:1		D	20900-A1 ILL	
FINISH: POLISHED		WEIGHT: 0.27		SHEET 1 OF 1		

D 20900-A1 ILL

