
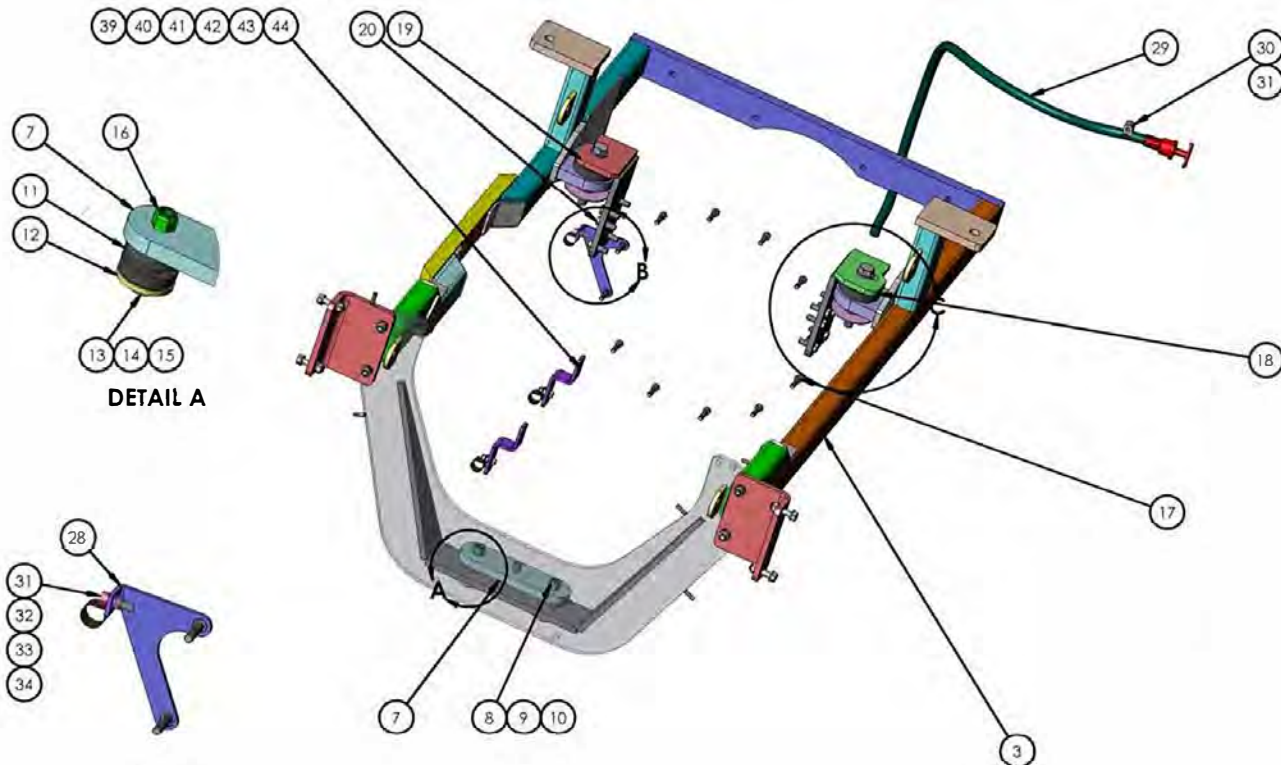


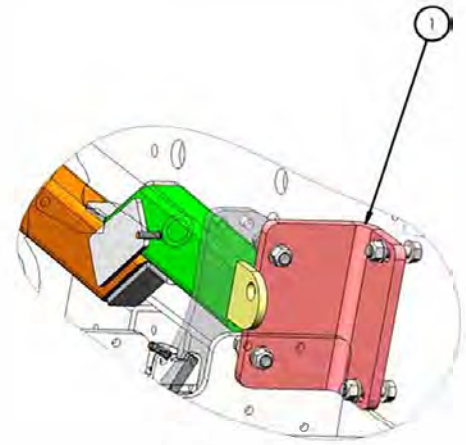
DIMENSIONS ARE IN INCHES		NAME	DATE	 TICO/TERMINAL SERVICE 66 CYPRESS RIDGE DR. RIDGELAND, SC 29936 (843) 717-2226	
TOLERANCES:		DRAWN	MAL		02/16/2017
DECIMAL:		CHECKED			
.XX ± 0.06 .XXX ± 0.03 .XXXX ± 0.005 ANGULAR ± 0.5° FRACTIONAL ± 1/32"		APPROVED			
INTERPRET GEOMETRIC TOLERANCING PER: ASME 14.5M-1994		DO NOT SCALE DRAWING			TITLE: ENGINE & TRANSMISSION
MATERIAL		THE SUBJECT MATTER SHOWN AND DESCRIBED IN THIS DRAWING AND ANY OTHER INFORMATION ADVANCED IN CONNECTION THEREWITH IS PROPRIETARY PROPERTY AND IS TO BE HELD IN STRICT CONFIDENCE BY YOU. ALL RIGHTS TO ANY INVENTIONS, DESIGNS, TRADE MARKS, TRADE NAMES AND COPYRIGHTS DISCLOSED ARE RESERVED TO TICO TERMINAL SERVICES, INC.			SIZE DWG. NO. REV
FINISH					C 720953-A1
THICKNESS					SCALE: 1:48 WEIGHT: SHEET 1 OF 1



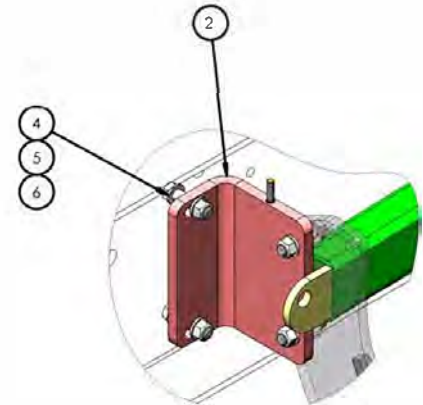
DETAIL A

DETAIL B

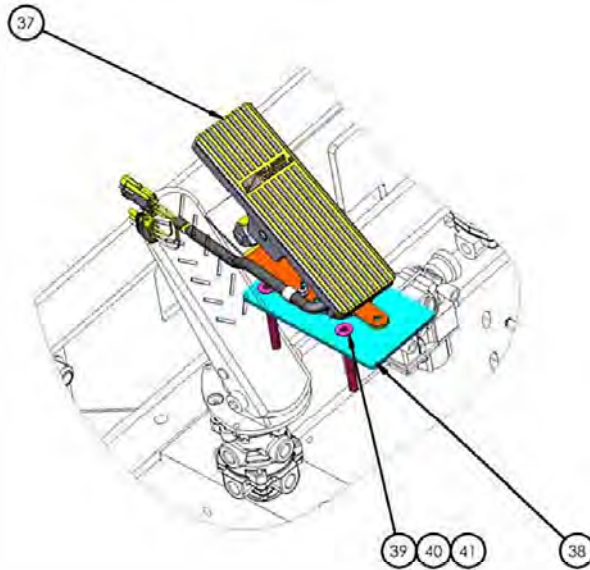
DETAIL C



LH BRACKET, FRONT



RH BRACKET, FRONT



DIMENSIONS ARE IN INCHES		ISSUE	DATE	 TICO/TERMINAL SERVICE 66 CYPRESS RIDGE DR. ROSELAND, SC 29936 (843) 717-2226
TOLERANCES:		DRAWN	FAA1	
DECIMAL:		CHECKED		
XXX ± 0.06		APPROVED		
XXXX ± 0.03		DO NOT SCALE DRAWING		
XXXXX ± 0.005		THE SUBJECT MATTER SHOWN AND DESCRIBED IN THIS DRAWING AND ANY OTHER INFORMATION ADVANCED IN CONNECTION THEREWITH IS TO BE HELD IN STRICT CONFIDENCE BY YOU. ALL RIGHTS TO ANY INVENTION, DESIGN, TRADE MARKS, TRADE NAMES AND COPYRIGHTS DECLARED ARE RESERVED TO TICO TERMINAL SERVICES, INC.		
ANGULAR: ± 0.5°		TITLE: ENGINE & TRANSMISSION		
FRACTIONAL: ± 1/32"		SIZE DWG. 720953-A1		
INTERPRET GEOMETRIC TOLERANCING PER: ASME Y14.5M-1994		REV		
MATERIAL		SCALE: 1:48		
FINISH		WEIGHT:		
THICKNESS		SHEET 1 OF 1		



TICO PRO-SPOTTER			
-V8@- 'uk' Voj o' @ ' =h' k) o '8-V' t ) -Vo\ 'au' ku' ) -G/\ ' Q'i			720953
ITEM	PART #	QTY/M	DESCRIPTION
8	80342	1	BOLT-DRILLED HEAD-M16 x 2 x 45mm, 10.9 SHCS
NS	80176	1	BOLT-M16 x 2 x 45mm, 10.9 SHCS
9	85094	1	WASHER, FLAT 5/8-11
10	85138	1	LOCKWASHER, 5/8-11
11	60814	4	ISOLATOR, FRONT ENGINE MOUNT DUAL SYSTEM
12	60113	2	WASHER, BOOM
13	10971	2	SPACER FRONT MOTOR MOUNT
14	82474	2	BOLT, HEX 5/8-11 x 3 1/4" LG
15	85094	2	WASHER, FLAT 5/8-11
16	85039	2	LOCKNUT, 5/8-11
NS	60799-6	6	BOLT-FLEX PLATE/TORQUE CONV
17	60799-12	1	TRANS MOUNTING KIT
NS	60799-7	12	BOLT - TRANS MOUNT
NS	60799-20	12	WASHER - TRANS MOUNT
18	60981	1	MOUNT-REAR ENGINE LH
19	60982	1	MOUNT-REAR ENGINE RH
20	80240	12	BOLT-M12 x 1.5 x 35mm, HEX HD , 10.9 APPLY LOCKTITE & TORQUE BOLTS TO 40 FT-LB
21	61678	2	ISOLATOR-REAR ENGINE
22	61677-8	2	SPACER-BOLT
23	60740	2	WASHER-3/4, REAR ENGINE MOUNT
24	85095	2	WASHER, FLAT 3/4
25	60740-1	2	WASHER-3/4, REAR ENGINE MOUNT
26	82574	1	BOLT-3/4-10UNC x 5 1/2 LG HEX HD
27	85029	1	NUT-3/4-10UNC NYLK
28	90910	1	BRACKET-BATTERY CABLE SUPPORT
29	61574	1	DIPSTICK-TRANSMISSION RDS
30	12091	1	SPACER
31	82382	3	BOLT, HEX 5/16-18 x 2 1/4 Lg
32	85112	8	WASHER, FLAT 5/16
33	85134	2	LOCKWASHER 5/16
34	40593	4	P-CLAMP
35	80349	1	STUD, 5/16-18 X 1"LG WELD
36	85035	1	LOCKNUT 5/16
NS	91243	1	STARTER MOTOR- DELCO MT35
REV	DATE	BY	SHEET
A	6/10/2020	MAL	2 OF 3

TICO PRO-SPOTTER				
ENGINE & TRANS QSB-IVI 158 HP @ 2100, RDS3000 1st-5th GEN V, DENSO START & DELCO ALT				720953
ITEM	PART #	QTY/M	DESCRIPTION	
NS	62037	1	SENSOR-AMBIENT AIR 2013-ISB	
NS	62044	1	BRACKET-SENSOR MOUNT	
NS	60061	1	PRESSURE STAT 10 Lbs	
NS	40467	1	FITTING, TEE STREET, 1/8 NPT	
NS	91068	1	SENSOR-OIL PRESS GAUGE	
NS	91069	1	SENSOR-WATER TEMP GAUGE	
NS	12091	1	SPACER	
NS	62412	1	HARNESS - ISB 2015 ENGINE	
NS	62414	1	HARNESS-TRANS ALLISON GEN 4-W/ABS	
NS	91133	1	WIRE HARNESS-2 GA BK	
NS	91221	1	WIRE HARNESS-2 GA RD	
NS	91171	1	WIRE ASSY-AIR INTAKE HEATER	
NS	91232	1	WIRE ASS'Y-ECM GRD/BATT	
NS	61704	1	BRACKET-STANDOFF	
37	61640	1	PEDAL ACCELERATOR - ELECTRONIC ISB	
38	90632	1	MOUNTING PLATE ELECTRIC THROTTLE	
NS	90632-1		MTG PLATE	
NS	80136		STUD 5/16-18 X 1-1/4 LG	
39	83318	1	SC HC SCREW 3/8-16 x 3 1/2" Lg	
40	85113	2	WASHER, FLAT 3/8	
41	85036	2	LOCKNUT, 3/8-16	
42	85090	2	WASHER, FLAT 5/16	
43	85035	2	LOCKNUT 5/16	
NS	83340	1	SC HC SCREW 3/8-16 x 4" Lg	
NS	42050	1	FITTING,TEE BRANCH, BRASS 3/4"NPT	
NS	42055	1	FITTING, ELBOW 45° 3/4" NPT X 1" TUBE	
NS	40752	1	FITTING, REDUCER, BRASS, 1/2" NPT X 3/8' NPT	
NS	42049	1	FITTING, TEE BRANCH, BRASS 1/2"NPT	
NS	42178	1	FITTING, BARB HOSE, BRASS, 5/8 HOSE X 1/2" NPT	
NS	42095	1	FITTING, REDUCER, BRASS, 1/2 MNPT X 3/8 NPT	
NS	60031	2	VALVE NEEDLE, BRASS, # 10 HOSE X 3/8 NPT	
NS	42195	1	FITTING, COUPLING BRASS, 3/8"	
NS	42194	1	FITTING, NIPPLE BRASS, 3/8" X 3" LG	
NS	42095	1	FITTING, REDUCER, BRASS, 1/2"NPT X 3/8" NPT	
44	60956	2	BRACKET TRANS COOLING LINE	
REV	DATE	BY		SHEET
A	6/10/2020	MAL		3 OF 3