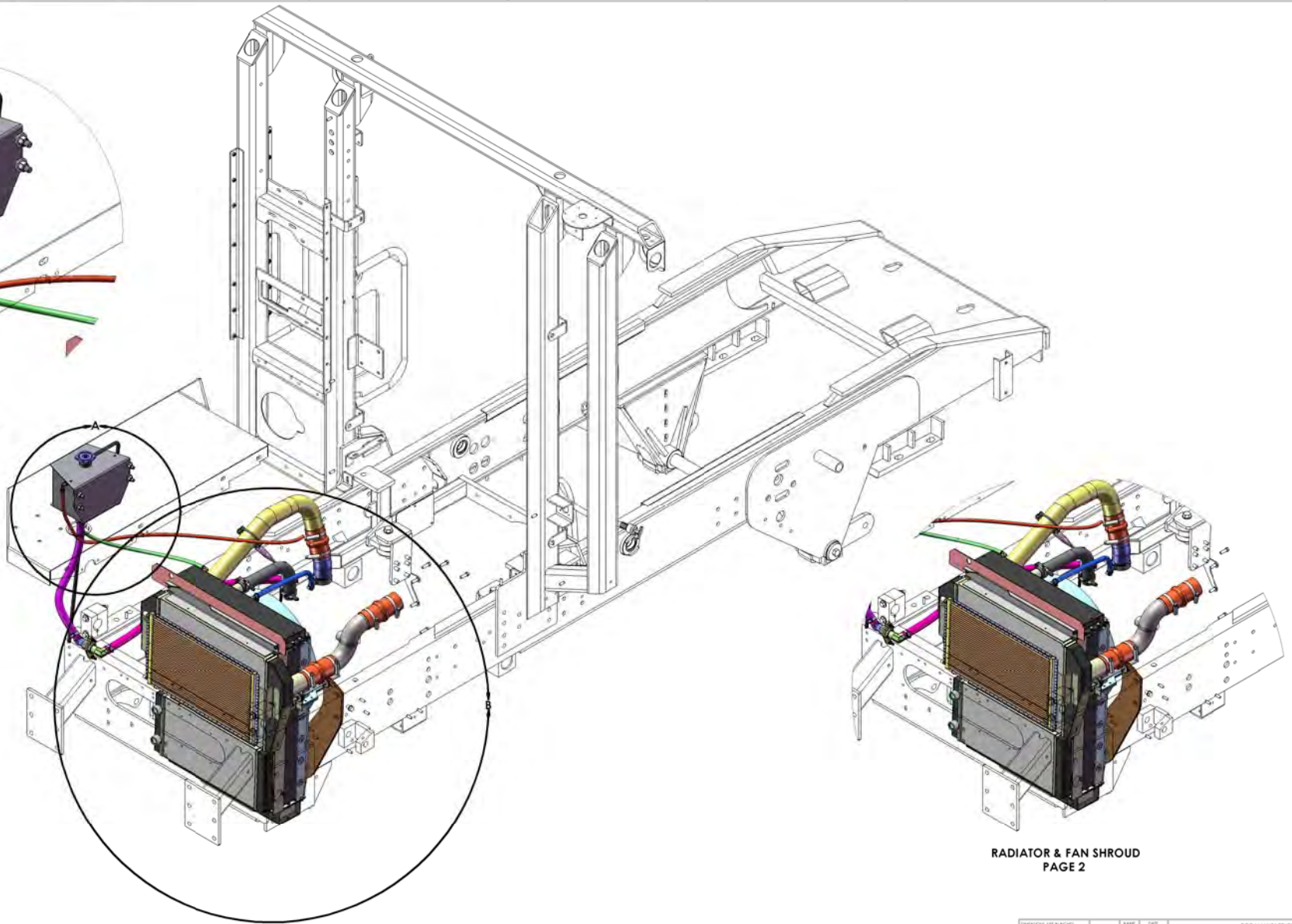


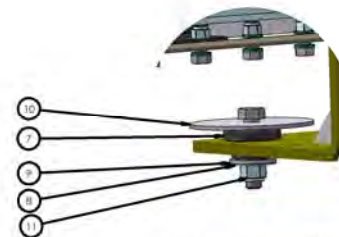
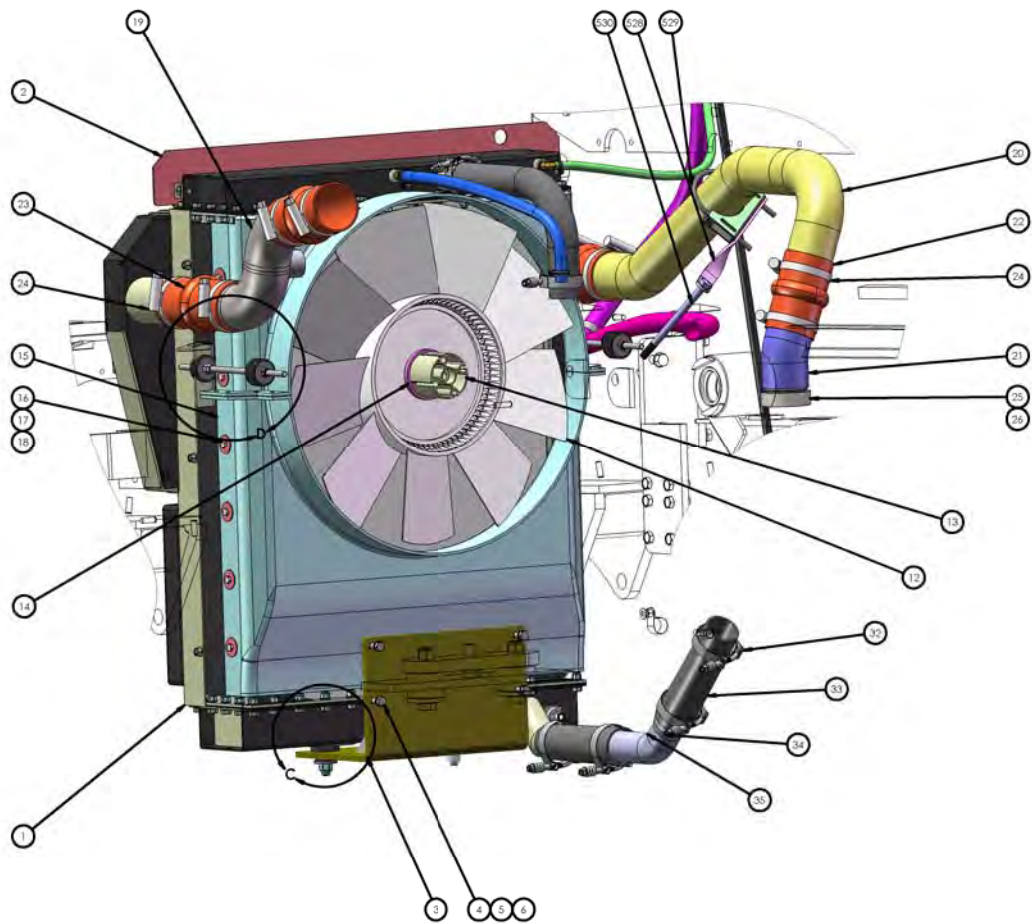
SURGE TANK & HOSES
PAGE 3



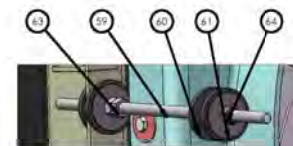
RADIATOR & FAN SHROUD
PAGE 2

REVISED	DATE	BY	REASON

DESIGNED BY: B. H. BROWN	NAME: B. H. BROWN	DATE: 5/1/2007		TICO MANUFACTURING 400 C STREET, FRODO, CA 94537-1120
DRAWN BY: B. H. BROWN	NAME: B. H. BROWN	DATE: 5/1/2007		
CHECKED BY: B. H. BROWN	NAME: B. H. BROWN	DATE: 5/1/2007	TITLE: COOLING SYSTEM, QS8-IV, RADIATOR, CAC, DIRECT DRIVE FAN	
SCALE: 1:32	WEIGHT: 4858.30	SHEET: 1 OF 3	SIZE [DWG. NO.]: D 720947-C1	REV:



LOWER RUBBER ISOLATORS

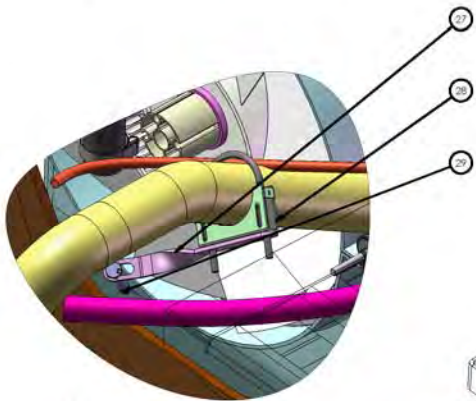


THREADED ROD SUPPORT

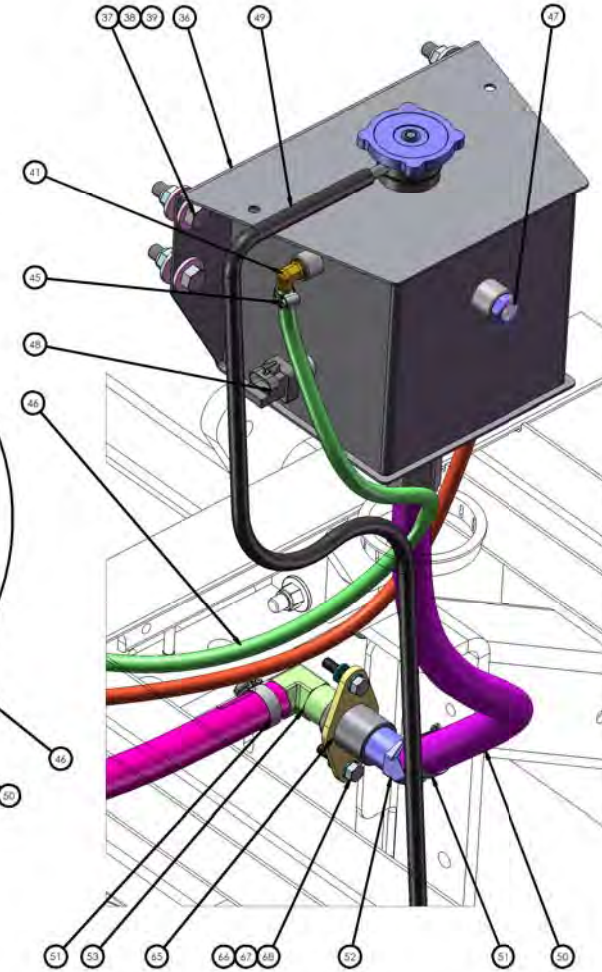
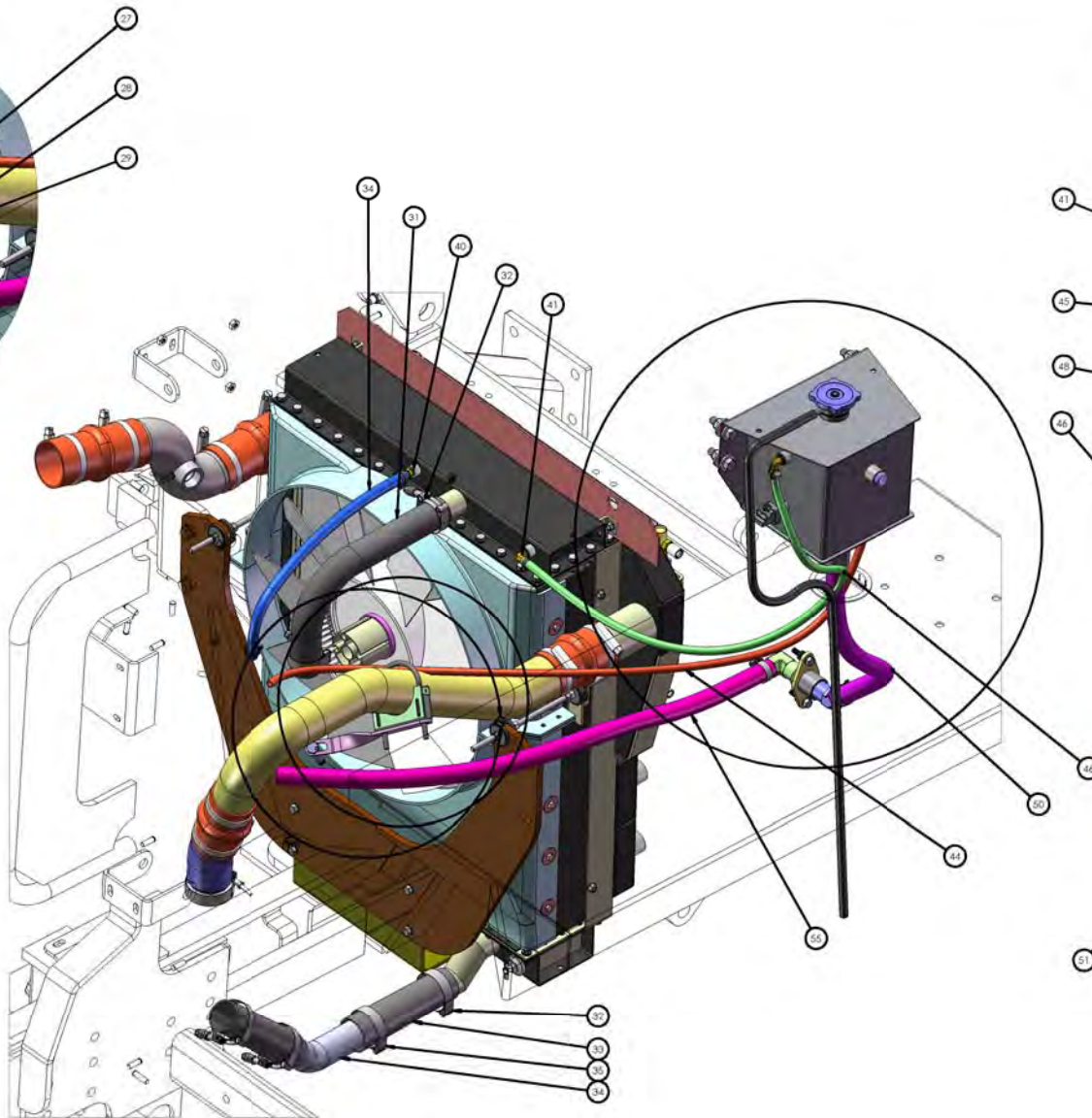
REVISED: SEE HISTORY	DATE	BY	DESCRIPTION
DESIGNED: SEE HISTORY			
CHECKED: SEE HISTORY			
APPROVED: SEE HISTORY			
DATE			
SCALE: 1:30	WEIGHT: 4858.3	SHEET 2 OF 3	

		TRICO TERMINAL SERVICE AN OXFORD INDUSTRIES COMPANY 800.445.4200
TITLE: COOLING SYSTEM, QS8-IV, RADIATOR, CAC, DIRECT DRIVE FAN		
FILE: Dwg_180_720947-C1	REV:	

D 720947-C1



CAC TUBE TO ALTERNATOR BRACKET



SURGE TANK & HOSES

REVISED: SEE HISTORY	DATE	BY	DESCRIPTION
DATE			
DESIGNED BY			
CHECKED BY			
APPROVED BY			
SCALE: 1:30	WEIGHT: 4859	SHEET 3 OF 3	

		TRICO INTERNATIONAL SERVICE AN O'CONNOR POWER CORP. 800 SHELBY DR. OPTON, MASS 01551
TITLE: COOLING SYSTEM, QSB-IV, RADIATOR, CAC, DIRECT DRIVE FAN		Dwg. No. 720947-C1
FILE D	REV	REV

TICO PRO-SPOTTER

COOLING SYSTEM, 2015-ISB, RADIATOR, CAC, CLUTCH FAN ACC, RUBBER ISOLATORS

720947

ITEM	PART #	QTY/M	DESCRIPTION	
	720947-C1	REF	COOLING SYSTEM - QSB3 - HIGH MOUNT TURBO	
1	62286	1	RADIATOR ASSY - W/AC CONDENSER MTG - ACC, 1/2" STUDS	
2	61644	1	BAFFLE, RADIATOR TOP	
3	12736	1	RADIATOR MOUNT, RUBBER ISOLATORS	
4	82405	4	BOLT, HEX 3/8-16 x 1-3/4" LONG BRKT to ENGINE MT	
5	85091	8	WASHER, FLAT 3/8	
6	85036	4	LOCKNUT - 3/8-16	
7	62254	2	ISOLATOR - RADIATOR MOUNT	
8	80346	4	WASHER, FENDER 3/8" ID x 1 1/2" OD	
9	62110	2	WASHER - FRONT ENGINE MOUNT - BOTTOM	
10	62332	2	WASHER - RADIATOR MOUNT TOP	
11	85027	2	NYLON 1/2-13	
NOT SHOWN	85025	2	LOCKNUT, 3/8-16	
NOT SHOWN	85091	2	WASHER, FLAT 3/8	
NOT SHOWN	85014	2	NUT, HEX 3/8-16	
NOT SHOWN	40593	2	CLAMP, P 1.0	
12	60907	1	FAN,ENG 22" 9 BLADE COMP 3.75 PW	
13	62173-1	1	SPACER-FAN 19mm	
14	62328	1	CAPTURE PLATE	
NOT SHOWN	80373	4	BOLT, 10mm x 50mm LONG, SERRATED FLANGE HEAD	
NOT SHOWN	85135	4	LOCKWASHER 3/8	
NOT SHOWN	85091	4	FLATWASHER 3/8	
15	60988	1	FAN SHROUD	
16	82370	12	BOLT, HEX 1/4-20 X 3/4" LONG SHROUD SIDES	
17	80129	12	WASHER, FENDER 1/4" ID x 1 1/4" OD	
18	85034	12	LOCKNUT 1/4	
NOT SHOWN	40593	2	P-CLAMP	
19	62055	1	TUBE, CAC LH	
20	61968	1	TUBE, CAC RH	
21	61963	1	TUBE, CAC RH REAR	
22	61660	2	HOSE, HUMP 5"	
23	61701	2	HOSE, HUMP 7"	
24	40185	8	CLAMP, CONSTANT TORQUE 2 3/4 - 3 5/8	
25	42261	1	CLAMP, V BAND	
26	42262	1	SEAL, O-RING	
REV	DATE	BY		SHEET
C	5/2/2017	MAL		1 OF 3

TICO MANUFACTURING - RIDGELAND, SC 29936

