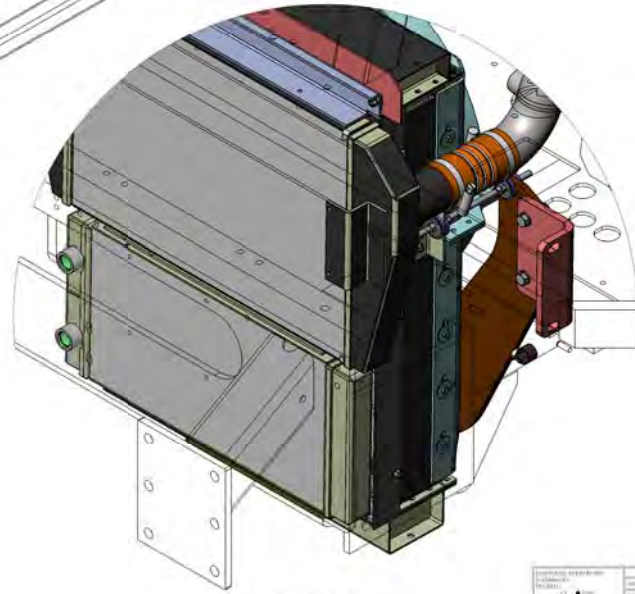
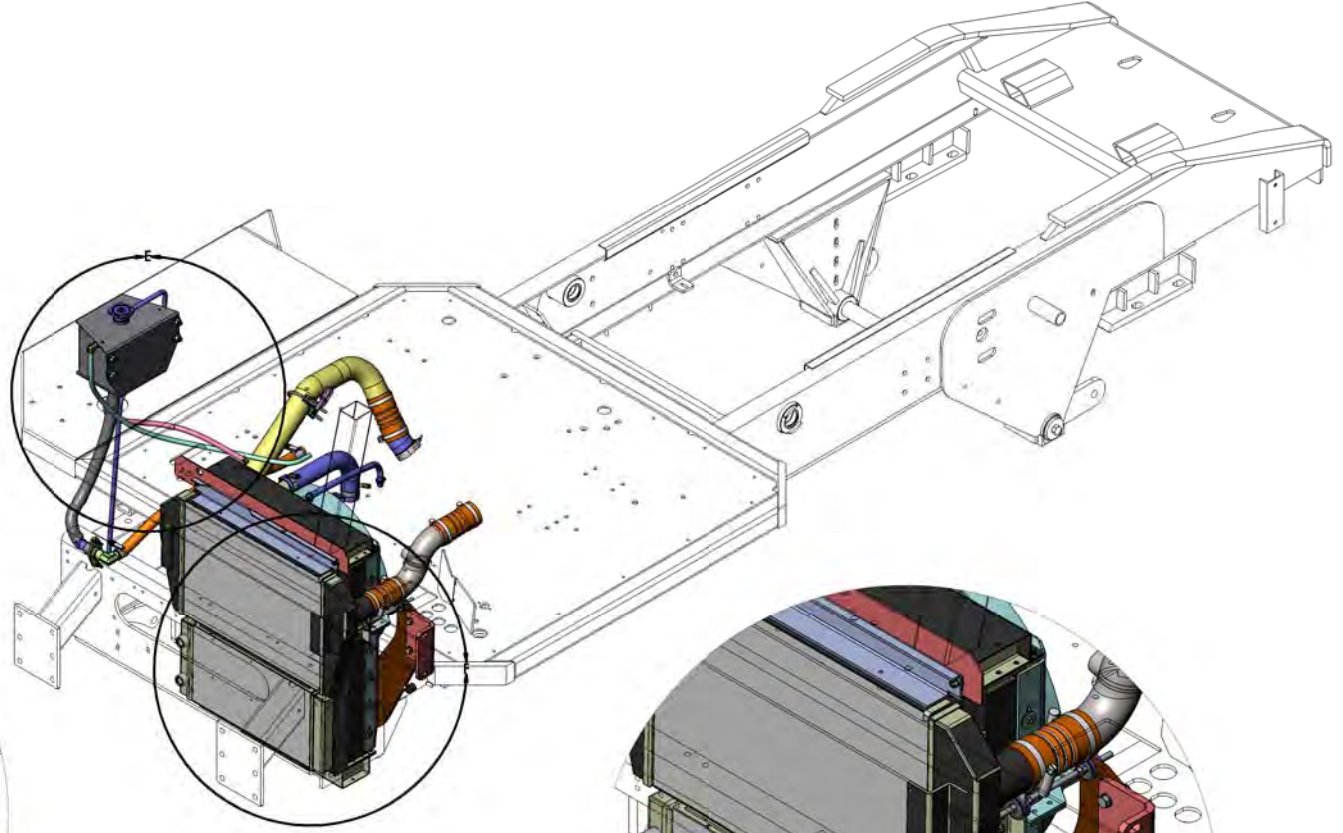


**SURGE TANK &
HOSES
PAGE 3**



**RADIATOR &
SHROUD
PAGE 2**

APPROVED FOR ISSUANCE DATE: 11/11/15 BY: [Signature] TITLE: [Title] DEPARTMENT: [Department] PROJECT: [Project] DRAWING NO.: 720945-81 SHEET NO.: 1 OF 3	TITLE: COOLING SYSTEM, 2015-158 DWG. NO.: 720945-81 REV: D SCALE: 1:24 WEIGHT: 3367.92 SHEET 1 OF 3	COOPER/TERMINAL SERVICE AN-C/15822 P/058 C/01 8435 717 2004
---	--	---

720945-81

TICO PRO-SPOTTER

COOLING SYSTEM, 2015-ISB, RADIATOR, CAC, CLUTCH FAN ACC, RUBBER ISOLATORS

720945

ITEM	PART #	QTY/M	DESCRIPTION	
	720945-B1	REF	COOLING SYSTEM - QSB3 - HIGH MOUNT TURBO	
1	62286	1	RADIATOR ASSY - W/AC CONDENSER MTG - ACC, 1/2" STUDS	
2	61644	1	BAFFLE, RADIATOR TOP	
3	12736	1	RADIATOR MOUNT, RUBBER ISOLATORS	
4	82405	4	BOLT, HEX 3/8-16 x 1-3/4" LONG BRKT to ENGINE MT	
5	85091	8	WASHER, FLAT 3/8	
6	85036	4	LOCKNUT - 3/8-16	
7	62254	2	ISOLATOR - RADIATOR MOUNT	
8	80316	4	WASHER, FENDER 3/8" ID x 1 1/2" OD	
9	62110	2	WASHER - FRONT ENGINE MOUNT - BOTTOM	
10	62332	2	WASHER - RADIATOR MOUNT TOP	
11	85027	2	NYLON 1/2-13	PART ADDED
12	85025	2	LOCKNUT, 3/8-16	
13	85091	2	WASHER, FLAT 3/8	
14	85014	2	NUT, HEX 3/8-16	
15	40593	2	CLAMP, P 1.0	
16	61842	1	FAN,ENG 22" 9 BLADE COMP 3.75 PW	
17	60423	1	CLUTCH FAN	
18	62173	1	SPACER-FAN 19mm	
19	60799-19	4	BOLT, 10mm x 50mm LONG, SERRRATED FLANGE HEAD	
20	85135	4	LOCKWASHER 3/8	
21	60988	1	FAN SHROUD	
22	82359	12	BOLT, HEX 1/4-20 X 3/4" LONG SHROUD SIDES	
23	80129	12	WASHER, FENDER 1/4" ID x 1 1/4" OD	
24	85034	12	LOCKNUT 1/4	
25	62055	1	TUBE, CAC LH	
26	61968	1	TUBE, CAC RH	
27	40175	4	HOSE, HUMP	
28	40185	8	CLAMP, CONSTANT TORQUE 2 3/4 - 3 5/8	
29	62048	1	ELBOW, CAC PIPE, ISB	
30	42261	1	CLAMP, V BAND	
31	42262	1	SEAL, O-RING	
REV	DATE	BY		SHEET
B	2/28/2017	MAL		1 OF 3

TICO MANUFACTURING - RIDGELAND, SC 29936

