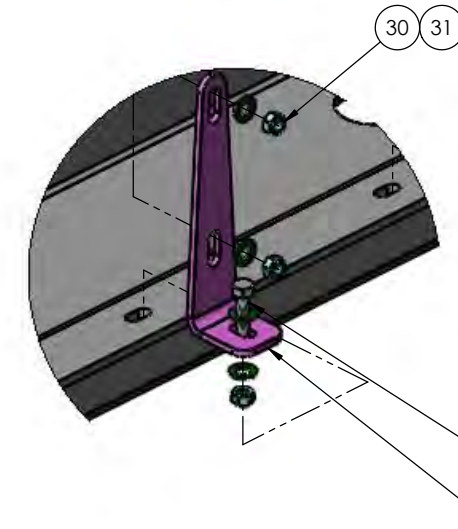
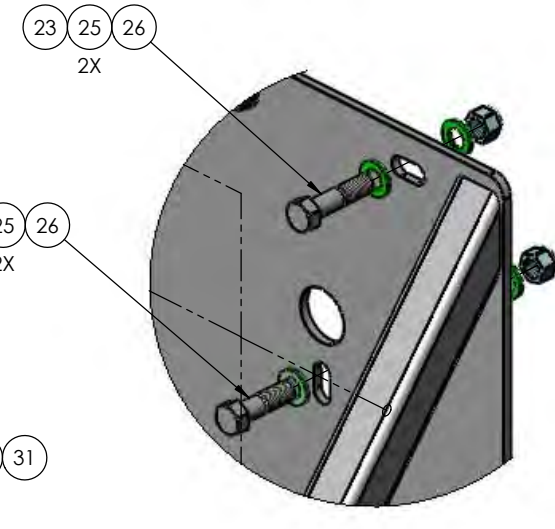


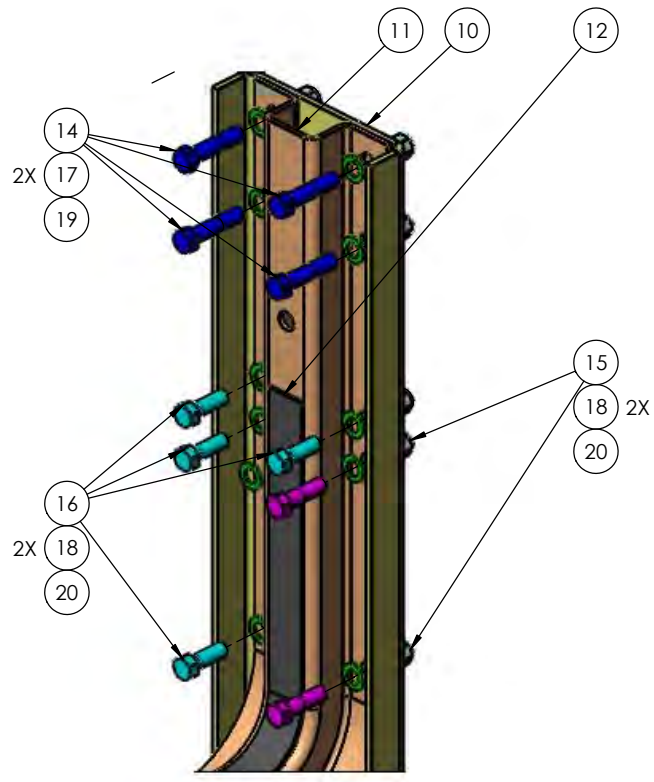
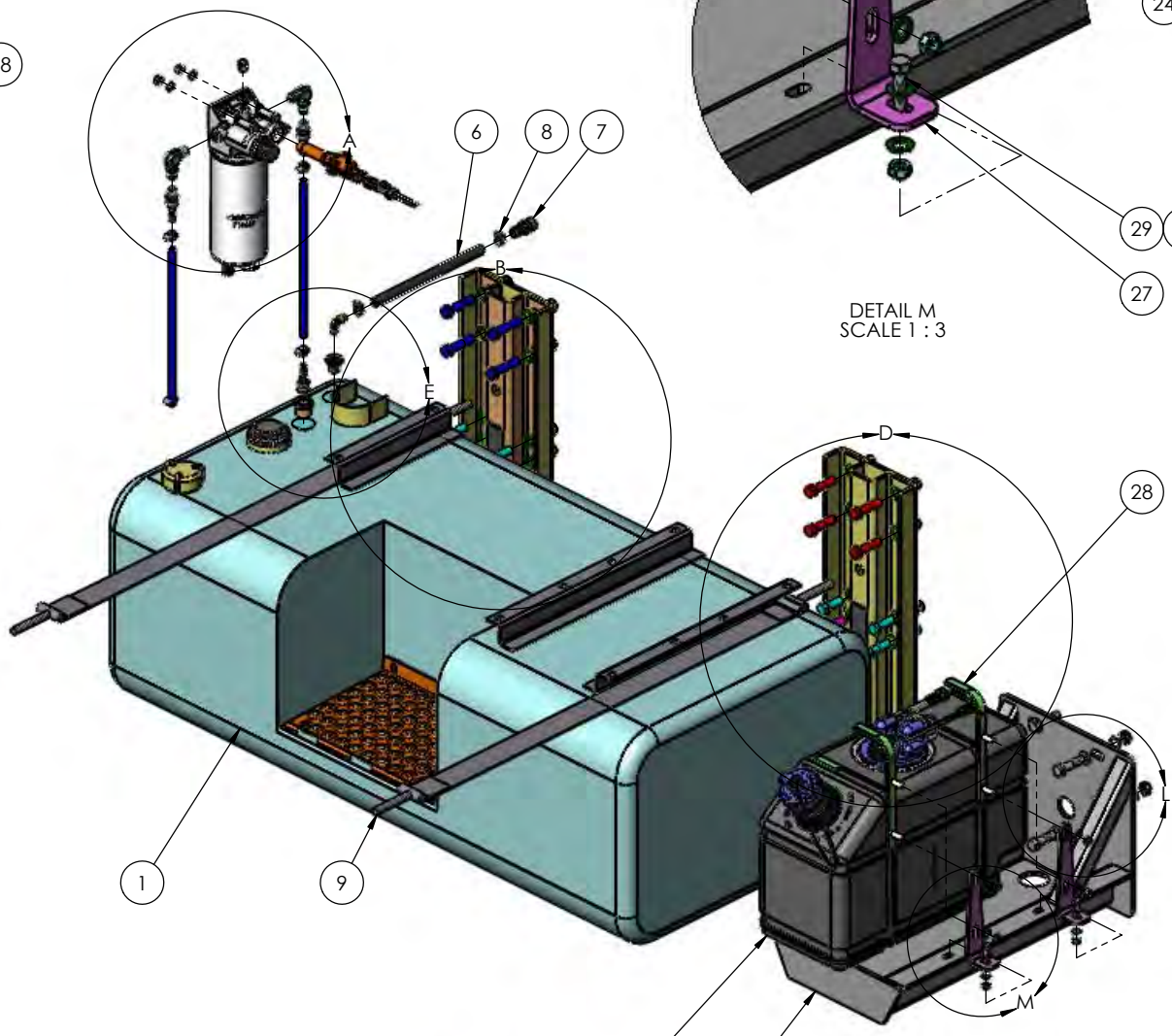
DETAIL A
SCALE 1 : 4



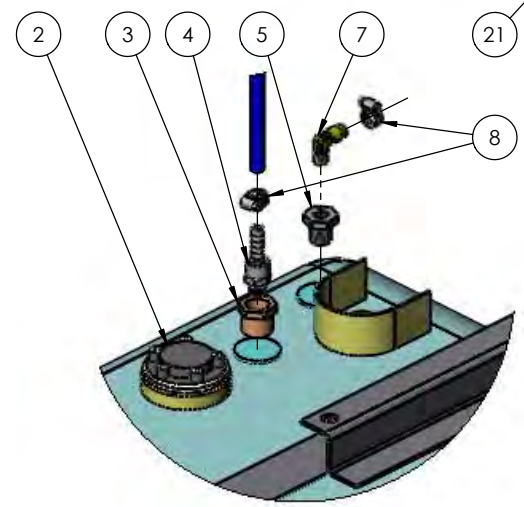
DETAIL M
SCALE 1 : 3



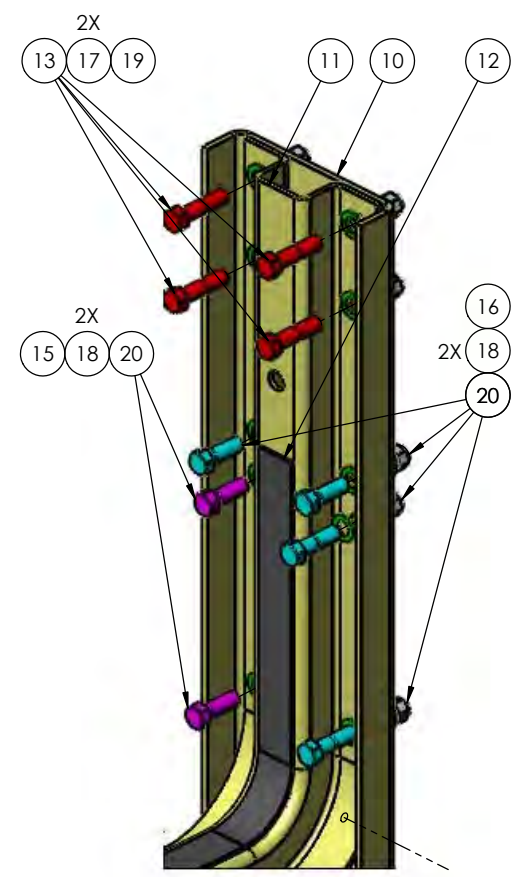
DETAIL L
SCALE 1 : 3



DETAIL B
SCALE 1 : 4



DETAIL E
SCALE 1 : 4



DETAIL D
SCALE 1 : 4

DIMENSIONS ARE IN INCHES
TOLERANCES:
DECIMAL:
XX ± 0.06
XXX ± 0.03
XXXX ± 0.005
ANGULAR:
FRACTIONAL ± 1/32"

INTERPRET GEOMETRIC TOLERANCING PER: ASME 14.5M-1994

MATERIAL

FINISH

THICKNESS

NAME	DATE
DRAWN PW	05/26/2016
REVISED MPC	07/06/2016
APPROVED	

DO NOT SCALE DRAWING

THE SUBJECT MATTER SHOWN AND DESCRIBED IN THIS DRAWING AND ANY OTHER INFORMATION ADVANCED IN CONNECTION THEREWITH IS PROPRIETARY PROPERTY AND IS TO BE HELD IN STRICT CONFIDENCE BY YOU. ALL RIGHTS TO ANY INVENTIONS, DESIGNS, TRADE MARKS, TRADE NAMES AND COPYRIGHTS DISCLOSED ARE RESERVED TO TICO TERMINAL SERVICES, INC.

TICO/TERMINAL SERVICE 66 CYPRESS RIDGE DR. RIDGELAND, SC 29936 (843) 717-2226	
TITLE: ASSEMBLY, FUEL TANK & SYSTEM 65 GALLON	
SIZE C	DWG. NO. 720943-B1
REV	SHEET 1 OF 1

TICO PRO-SPOTTER				
S/N:		ASSEMBLY, FUEL TANK & SYSTEM, 65 GALLON		720943
ITEM	PART #	QTY/M	DESCRIPTION	
	720943-B1	REF	ASSEMBLY, FUEL TANK & SYSTEM, 65 GALLON	
	61001	REF	FILTER FUEL-PRIMARY (FF5632 FURN W/ENG)	
1	20289	1	TANK, FUEL, 65 GALLON	
2	20169	1	SENDER FUEL, 240-33 OHM, NO-FLOAT	
3	42053	1	FITTING, REDUCER, BRASS, 3/4 NPT X 3/8 NPT (SUPPLY)	
4	42136	1	FITTING, HOSE, 90°, BRASS, 3/8 BARB X 3/8 NPT (SUPPLY)	
5	42090	1	FITTING, REDUCER, BRASS, 1/2 NPT X 1/4 NPT (RETURN)	
6	41214	32 IN	HOSE, FUEL, 3/8" (SAE 30R9)	
7	42191	1	FITTING, HOSE, 90°, BRASS, 5/16 BARB X 1/4 NPT(RETURN)	
8	24110	2	CLAMP, HOSE, WORM GEAR, 1/4 TO 5/8	
9	20179	2	HOLDING STRAP, FUEL TANK	
10	12406	2	CHANNEL BRACKET, FUEL TANK	
11	20175	2	MOUNT BRACKET, FUEL TANK	
12	20171	2	PAD, RUBBER, FUEL TANK BRACKET, 1/8 X 1-1/2	
13	82419	4	BOLT, HEX HEAD, 5/8-11 X 2 LONG	
14	82397	4	BOLT, HEX HEAD, 5/8-11 X 1-1/2 LONG	
15	82407	4	BOLT, HEX HEAD, 1/2-13 X 1-3/4 LONG	
16	82385	8	BOLT, HEX HEAD, 1/2-13 X 1-1/4 LONG	
17	85094	16	WASHER, FLAT, 5/8	
18	85093	24	WASHER, FLAT, 1/2	
19	85028	8	LOCKNUT, NYLON, 5/8-11	
20	85027	12	LOCKNUT, NYLON, 1/2-13	
21	62433	1	DEF TANK, QUALITY SENSOR & J1939 MONITOR	
NOT SHOWN	20086-7	1	COVER, DEF TANK	
NOT SHOWN	20087	3	GROMMET	
22	121157	1	ASSEMBLY, MOUNT, DEF TANK	
23	82418	2	BOLT, HEX HEAD, 1/2-13 X 2 LONG	
24	82407	1	BOLT, HEX HEAD, 1/2-13 X 3/4 LONG	
25	85093	6	WASHER, FLAT, 1/2	
26	85027	3	LOCKNUT, NYLON, 1/2-13	
27	20086-5	4	BRACKET, DEF TANK	
28	20086-4	4	ASSEMBLY, BAR, FLAT	
NOT SHOWN	20086-2	1	VALVE, CONTROL, COOLANT	
NOT SHOWN	41178	2-1/2 IN	HOSE, SILICONE, 5/8" (FLOW VALVE TO DEF TANK FEED)	
NOT SHOWN	41178	27 IN	HOSE, SILICONE, 5/8" (TEE TO FLOW VALVE FEED)	
29	82382	4	BOLT, HEX HEAD, 5/16-18 X 1-1/4 LONG	
30	85090	16	WASHER, FLAT, 5/16	
31	85024	12	LOCKNUT, NYLON, 5/16-18	
REV	DATE	BY		SHEET
B	08/12/2016	MPC		1 OF 2

TICO MANUFACTURING - RIDGELAND, SC 29936

TICO PRO-SPOTTER

S/N:	ASSEMBLY, FUEL TANK & SYSTEM, 65 GALLON	720943
-------------	--	---------------

ITEM	PART #	QTY/M	DESCRIPTION
32	620588	1	FILTER FUEL/WATER SEPARATOR, 8 MICRON
33	620587	1	FILTER, HEAD, TIER IV FINAL
34	620590	1	PLUG, PORT, FUEL FILTER
NOT SHOWN	620589	1	HEATER, STICK, IVF
NOT SHOWN	61672	1	HARNES, FUEL FILTER
35	82394	2	BOLT, HEX HEAD, 3/8-16 X 1-1/2 LONG (BRACKET TO CAB BAR)
NOT SHOWN	82383	2	BOLT, HEX HEAD, 3/8-16 X 1-1/4 LONG
36	85113	8	WASHER, FLAT, 3/8
37	85036	4	LOCKNUT, NYLON, 3/8-16
38	40811	30 IN	HOSE, FUEL, 5/16" (SAE 30R9)
39	24110	2	CLAMP, HOSE, WORM GEAR, 1/4 TO 5/8
40	42146	2	FITTING, HOSE, STRAIGHT, 3/8 BARB X #6 JIC
41	42141	2	FITTING, ELBOW, 90°, 14MM O-RING X #6 JIC
NOT SHOWN	42289	2	HOSE, SUCTION, HEATED, 2 METER (DEF TANK)
NOT SHOWN	42290	1	HOSE, PRESSURE, HEATED, 3 METER (DEF TANK)
NOT SHOWN	40774	2	FITTING, TEE, COOLING (DEF TANK)
NOT SHOWN	41178	94 IN	HOSE, SILICONE, 5/8" (ENGINE TO TEE FEED)
NOT SHOWN	41178	36 IN	HOSE, SILICONE, 5/8" (DEF TANK TO TEE RET)
NOT SHOWN	41178	132 IN	HOSE, SILICONE, 5/8" (TEE TO ENG RET)
NOT SHOWN	41158	140 IN	HOSE, COOLANT, 3/8" (SAE20R3D2, TEE TO REACT FEED)
NOT SHOWN	41158	112 IN	HOSE, COOLANT, 3/8" (SAE20R3D2, REACT TO TEE RET)
NOT SHOWN	41159	1	FITTING, STRAIGHT, COOLANT, SAFE LOCK
NOT SHOWN	41160	1	FITTING, ELBOW, 90°, COOLANT, SAFE LOCK
NOT SHOWN	42150	10	CLAMP, HOSE, 1/2 TO 29/32
NOT SHOWN	42148	8	CLAMP, HOSE, 1/4 TO 5/8
NOT SHOWN	61883	4	BRACKET, STANDOFF
NOT SHOWN	12667	1	BRACKET, HOSES, DEF REACTOR
NOT SHOWN	12668	1	BRACKET, FLAT, HOSES, DEF REACTOR
NOT SHOWN	40596	8	P-CLAMP, 5/8"
NOT SHOWN	82371	8	BOLT, 5/16-18 X 1 LONG
NOT SHOWN	85090	16	WASHER, FLAT, 5/16
NOT SHOWN	85024	8	LOCKNUT, NYLON, 5/16-18
NOT SHOWN	42269	1	FITTING, HOSE, PUSH ON, 3/8 (FUEL INLET)
NOT SHOWN	42269-1	1	SEAL, WASHER, FUEL INLET

REV	DATE	BY		SHEET
B	08/12/2016	MPC		2 OF 2