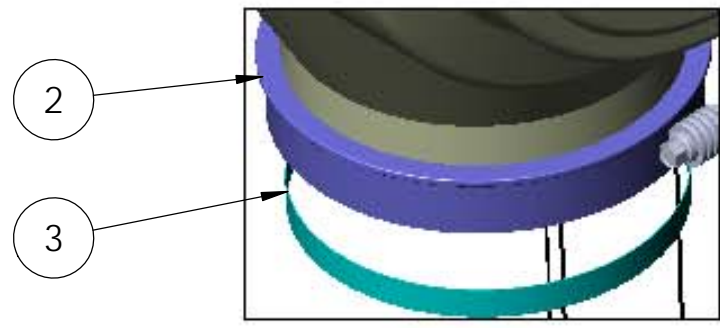
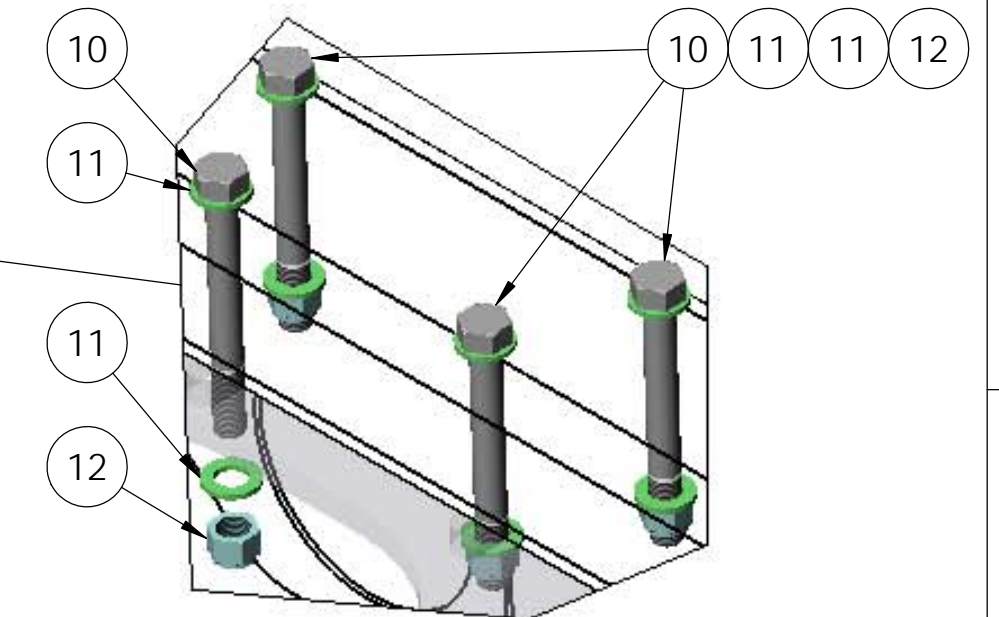


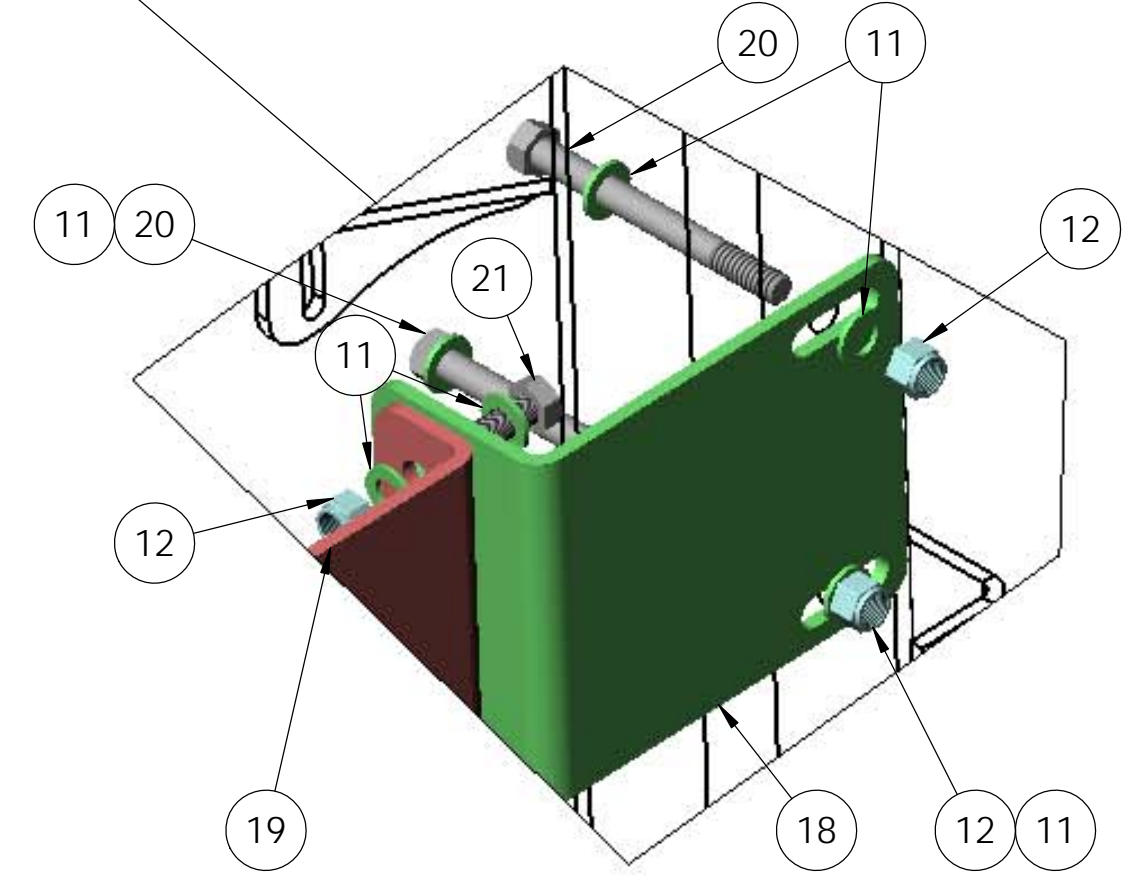
DETAIL C  
SCALE 1 : 3



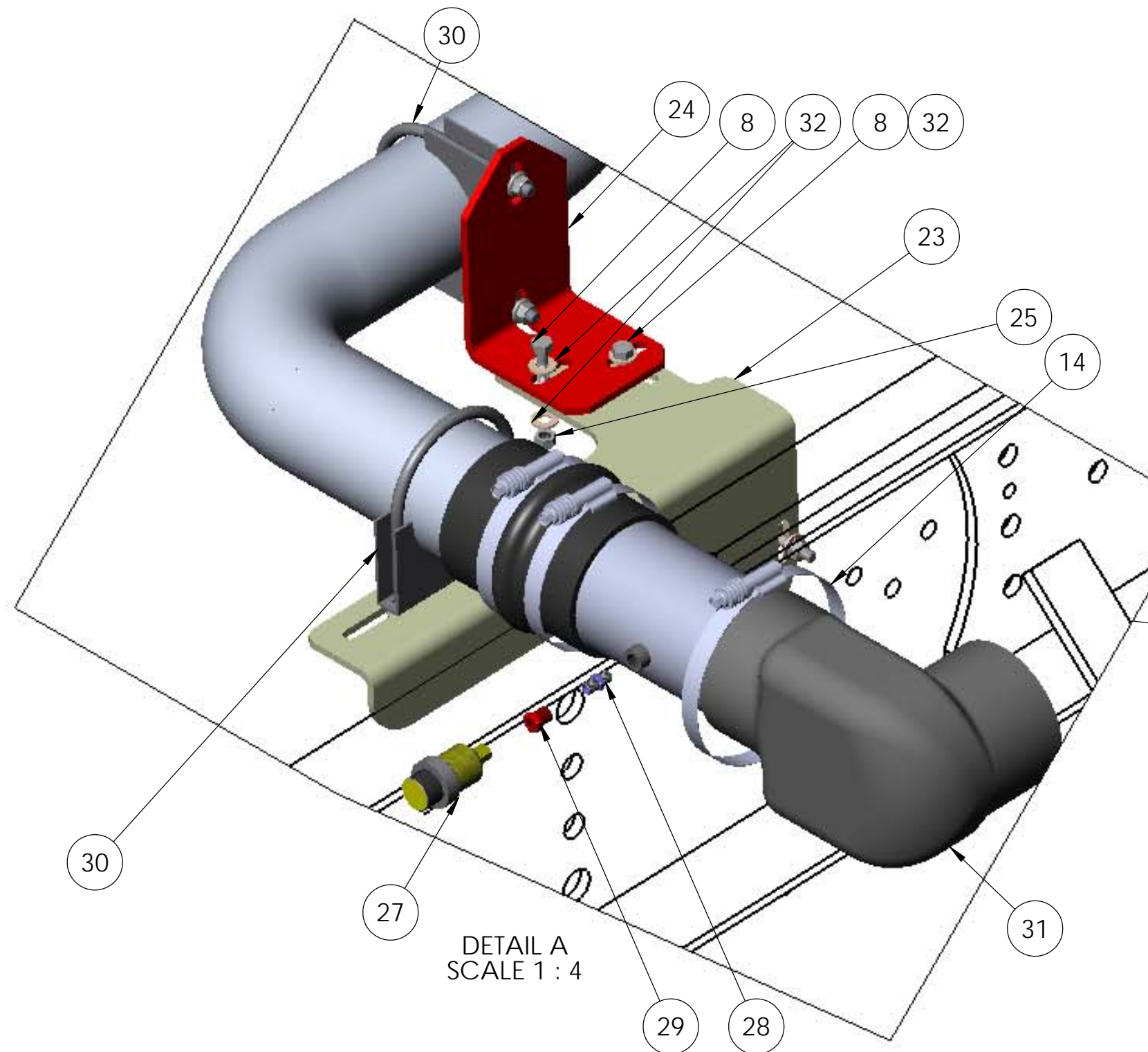
DETAIL B  
SCALE 1 : 3



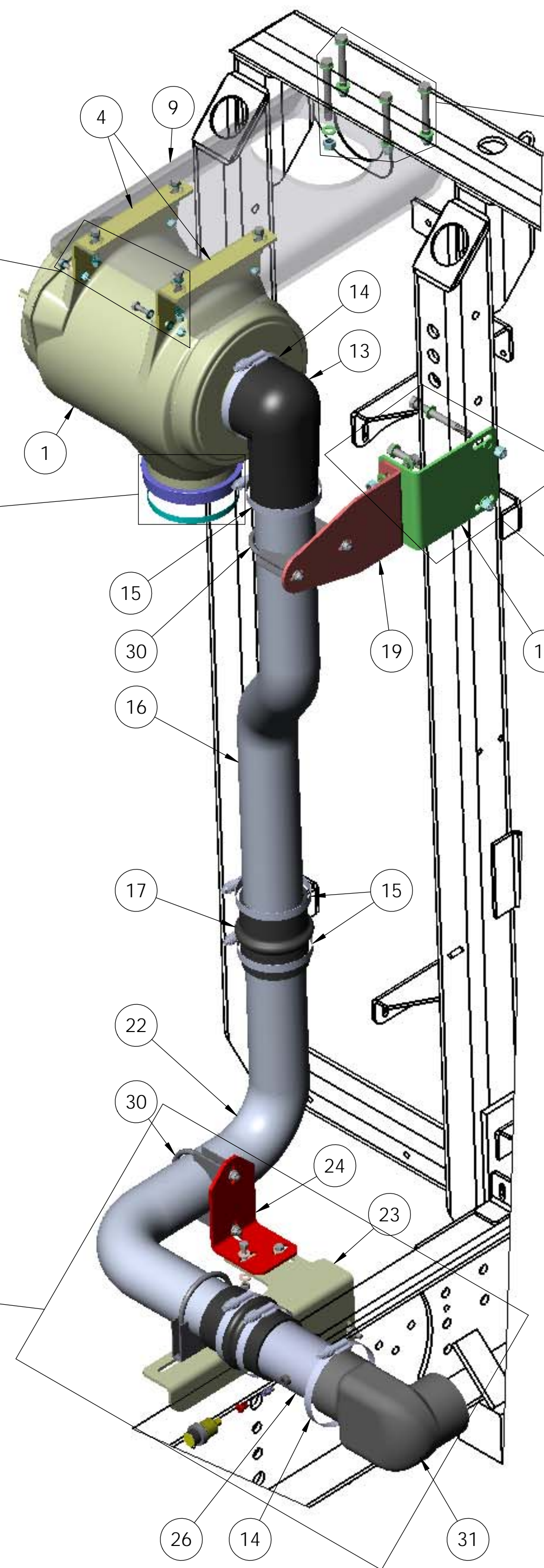
DETAIL D  
SCALE 1 : 3



DETAIL E  
SCALE 1 : 3



DETAIL A  
SCALE 1 : 4



DIMENSIONS ARE IN INCHES		NAME	DATE	TICO/TERMINAL SERVICE 66 CYPRESS RIDGE DR. RIDGELAND, SC 29936 (843) 717-2226
TOLERANCES:		DRAWN	SMB 9/23/15	
DECIMAL:		CHECKED		
.XX ± 0.06 .XXX ± 0.03 .XXXX ± 0.005		APPROVED		
ANGULAR:		DO NOT SCALE DRAWING		TITLE:
FRACTIONAL:				AIR INTAKE SYSTEM
± 0.5°				SIZE
± 1/32"				DWG. NO.
INTERPRET GEOMETRIC TOLERANCING PER: ASME 14.5M-1994				72094-C1
MATERIAL				REV
FINISH				
THICKNESS				
		SCALE: 1:50		WEIGHT:
				SHEET 1 OF 1

**TICO PRO-SPOTTER**

<b>S/N:</b>	<b>AIR INTAKE SYSTEM</b>	<b>72094</b>
-------------	--------------------------	--------------

ITEM	PART #	QTY/M	DESCRIPTION	TASK
	72094-C1	REF	AIR INTAKE SYSTEM, QSB TIER III	
1	61971	1	FILTER, AIR, DONALDSON 13" DIA	
	61972	REF	ELEMENT - PRIMARY	
	61973	REF	ELEMENT - SAFETY	
2	40673	1	6" AIR FILTER SCREEN	
3	40675	1	CLAMP, WORM GEAR, SS, 6" - 7.5" ID	
4	12642-1	2	BRACKET, LOWER, FILTER	
5	82405	4	BOLT, HEX HD 3/8-16 NC X 1-3/4 LG	
6	85091	16	WASHER, 3/8" FLAT	
7	85025	8	NUT, 3/8" NC HEX NYLOK	
8	82394	9	BOLT, HEX HD, 3/8-16 NC X 1-1/2" LG	
9	12642	1	BRACKET, AIR FILTER MOUNT	
10	82528	4	BOLT, HEX HD, 1/2-13 NC X 5" LG	
11	85093	16	WASHER, 1/2" FLAT	
12	85027	8	NUT, 1/2-13 NC HEX NYLOK	
13	61976	1	ELBOW, RUBBER, COBRA REDUCER, 5" TO 4"	
14	40190-1	1	CLAMP, 5" CONSTANT TORQUE	
15	40190	5	CLAMP, 4" CONSTANT TORQUE	
16	61977	1	TUBE, HUMP HOSE TO AIR CLEANER	
17	40170-16	2	HUMP HOSE	
18	62057	1	BRACKET, AIR INTAKE, UPPER	
19	62058	1	SUPPORT, AIR INTAKE, UPPER	
20	82550	2	BOLT, HEX, 1/2-13 NC X 5" LG	
21	82385	2	BOLT, HEX, 1/2-13 NC X 1 1/4" LG	
22	61978	1	TUBE, AIR INTAKE ANGLE	
23	12444-4	1	MOUNT BRACKET, INTAKE TUBE	
24	12444-5	1	ANGLE, AIR INTAKE BRACKET	
25	85036	5	LOCKNUT, 3/8-16	
<b>REV</b>	<b>DATE</b>	<b>BY</b>		<b>SHEET</b>
				1 OF 2

