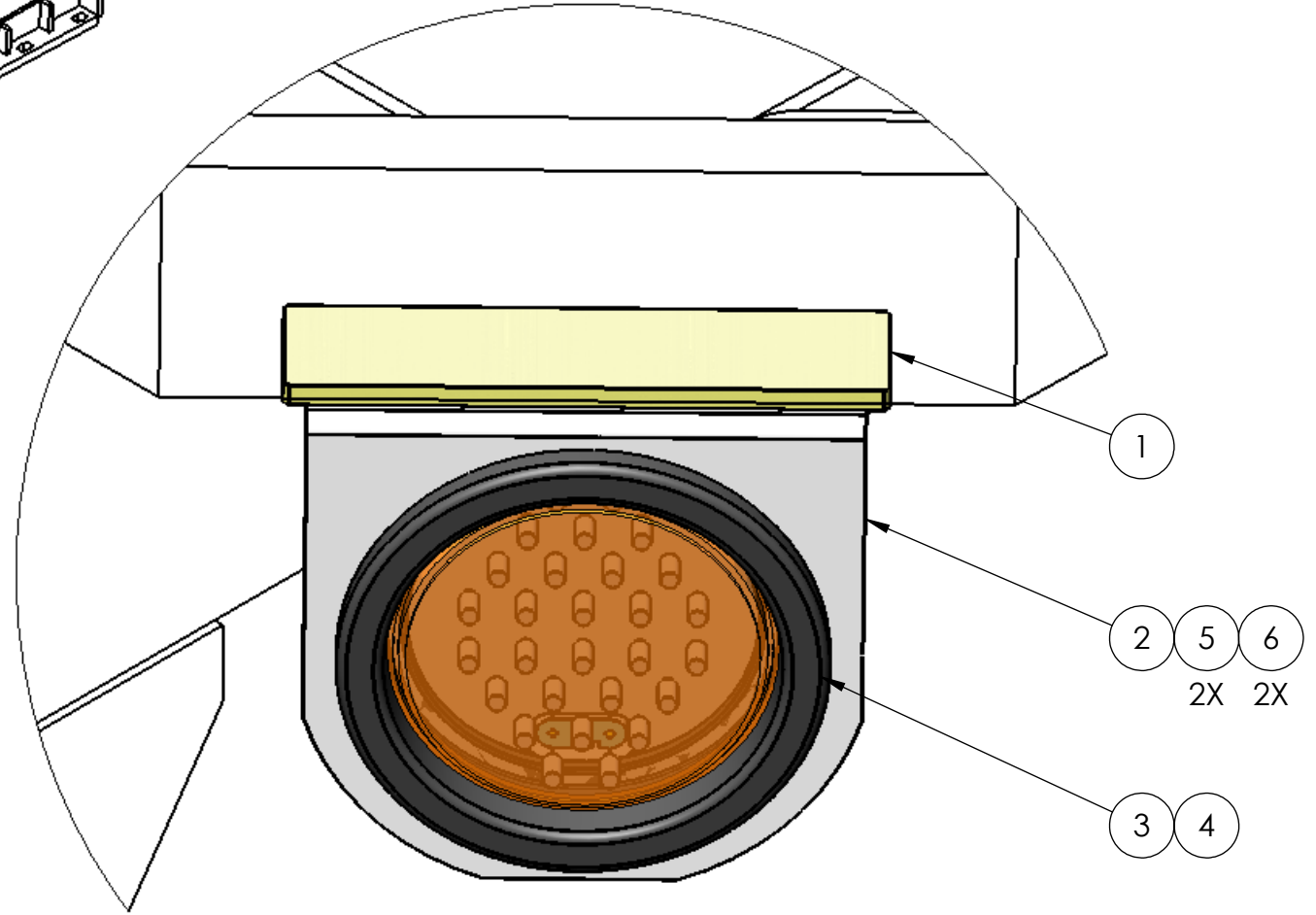
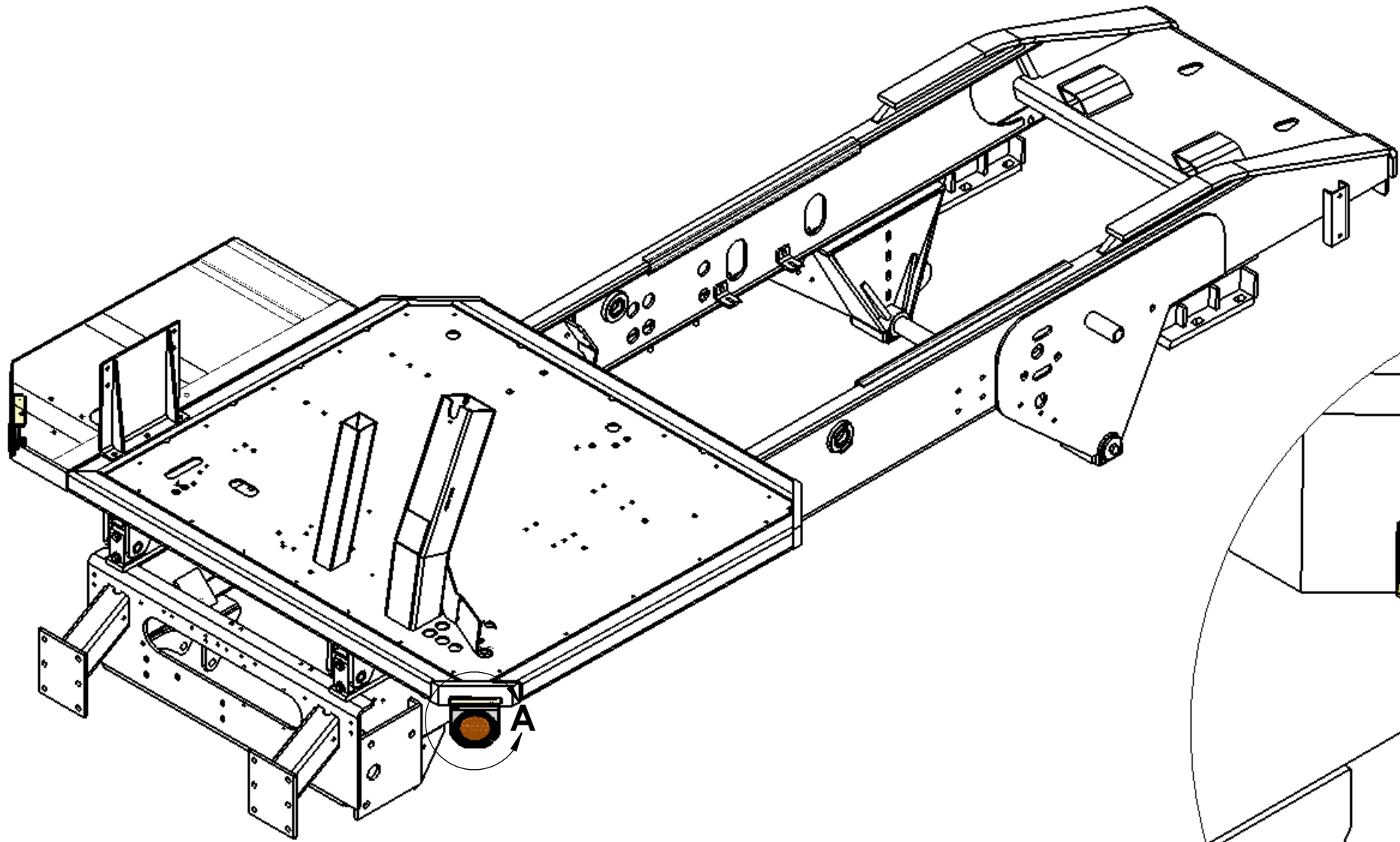



8 7 6 5 4 3 2 1

D
C
B
A

D
C
B
A



DIMENSIONS ARE IN INCHES		NAME	DATE	 TICO MANUFACTURING 66 CYPRESS RIDGE DR. RIDGELAND, SC 29936 (843) 717-2226		
TOLERANCES:		DRAWN	MPC 11/27/2017			
DECIMAL:		CHECKED				
X.X ± 0.06 X.XX ± 0.03 X.XXX ± 0.005 ANGULAR: ± 0.5° FRACTIONAL ± 1/32"		APPROVED				
DO NOT SCALE DRAWING				TITLE: ASSEMBLY, CORNER LIGHTS, FLASHING		
MATERIAL	THE SUBJECT MATTER SHOWN AND DESCRIBED IN THIS DRAWING AND ANY OTHER INFORMATION ADVANCED IN CONNECTION THEREWITH, IS PROPRIETARY PROPERTY AND IS TO BE HELD IN STRICT CONFIDENCE BY YOU. ALL RIGHTS TO ANY INVENTIONS, DESIGNS, TRADE MARKS, TRADE NAMES AND COPYRIGHTS DISCLOSED ARE RESERVED TO TICO TERMINAL SERVICES, INC.			SIZE		
FINISH				DWG. NO.	REV	
THICKNESS				B	720936-B1	B
				SCALE: 1:18	WEIGHT:	SHEET 1 OF 1

8 7 6 5 4 3 2 1

