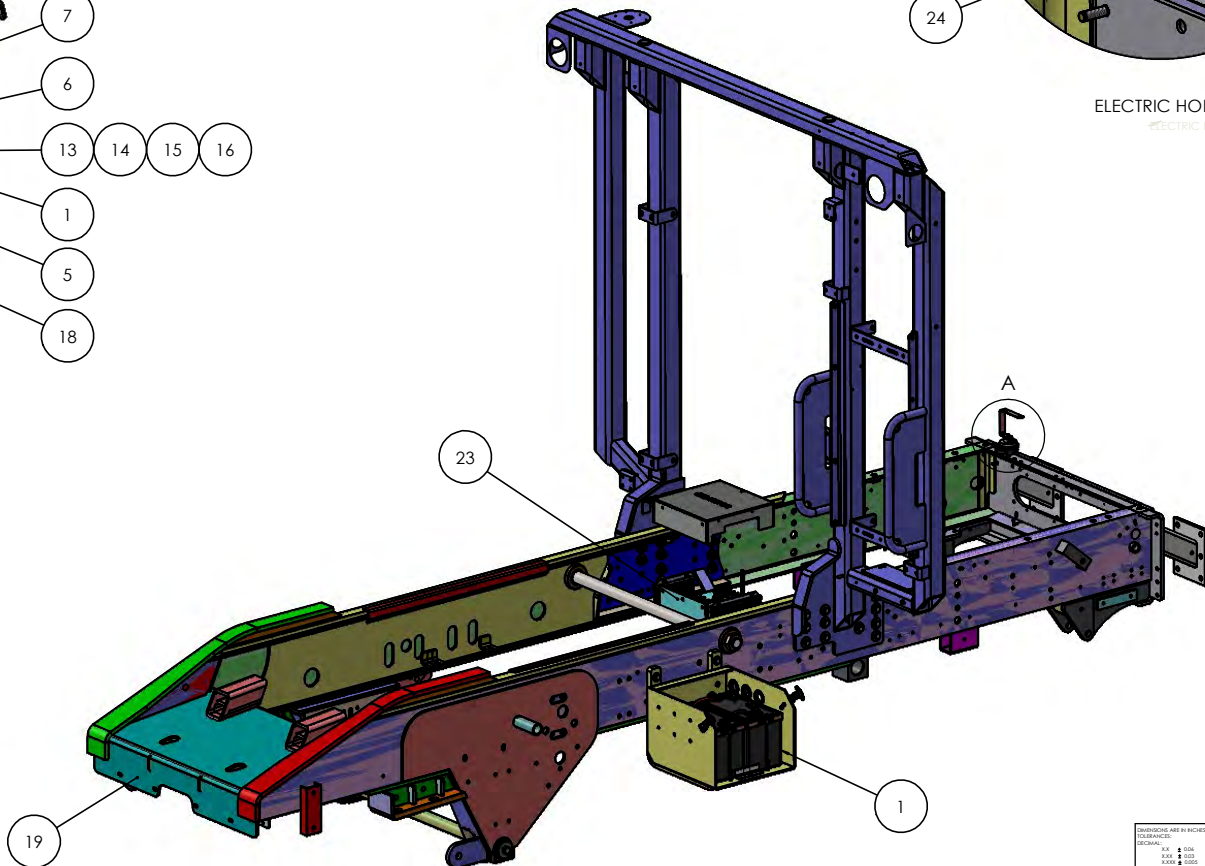


ELECTRIC HORN
ELECTRIC HORN



DIMENSIONS ARE IN INCHES		SCALE:	DATE:	TICO MANUFACTURING	
TOLERANCES:	DECIMAL:	DRAWN:	ACM	5/20/20	44 CYPRESS ROUGE DR.
	XXX & 0.03	CHECKED:			ROCKLAND, SC 29554
	XXX & 0.02	APPROVED:			TICORACTORS.COM
	XXX & 0.01				
ANGULAR:	± 0.1°	DO NOT SCALE DRAWING			
FUNCTIONAL:	± 0.005	THE SUBJECT MATTER SHOWN AND			
MATERIAL SPECIFICATIONS GOVERNING THIS DRAWING SHALL BE:		DESCRIBED IN THE DRAWING AND ANY			
OTHER REFERENCE TO BE MADE IN CONNECTION HEREWITH IS TO:		REVISIONS TO THIS DRAWING ARE TO BE			
REVISIONS TO THIS DRAWING ARE TO BE MADE BY THE DESIGNER OR BY THE		DRAWING NUMBER: 20319 BATTERY BOX ASSEMBLY			
DRAWING NUMBER: 20319 BATTERY BOX ASSEMBLY		SCALE: 1/20		WEIGHT:	REV
SHEET:		SCALE: 1/20		WEIGHT:	REV
TICORACTORS		SCALE: 1/20		WEIGHT:	REV

20319 BATTERY BOX ASSEMBLY

A

SHEET 1 OF 1

TICO PRO-SPOTTER

BATTERY & WIRING - 2015-ISB, ACC, 2-730 CCA BATTS, STANDARD BACK-UP, DELCO, TICO FLEET

720910

ITEM	PART #	QTY/M	DESCRIPTION	
	71404A	REF		
1	20319	1	ASS'Y, ISB 2015 BATTERY BOX	
2	82474	4	BOLT, 5/8 -11 x 3.5 Lg - BATTERY BOX to FRM	
3	85028	4	LOCKNUT NYLOK, 5/8-11	
4	85094	8	WASHER, FLAT 5/8	
5	12070	1	BRACKET, BATTERY STOP	
6	91814	2	BATTERY-31 SERIES, 730 CCA, 12V	
7	20075	2	BATTERY HOLD DOWN	
8	20012	4	ASSEMBLY, J-BOLT	
9	20012-1	4	J-BOLT x 1/4-20 - BATTERY HOLD DOWN	
10	80129	4	WASHER, FENDER 1/4-20	
11	85023	4	NUT, NYLOCK 1/4-20	
12	20077	4	COUPLING, EYE 1/4-20	
13	20012-4	4	WASHER, .25 x 1.25 x .88 GRAY PLASTIC	
14	85111	8	WASHER, FLAT 1/4	
15	82381	4	BOLT, HEX 1/4-20 X 1-1/4	
16	85133	4	LOCKWASHER, 1/4	
17	90114	2	GROMMET	
18	40210-2	2	RUBBER MAT	
NS	85133	4	LOCKWASHER, 1/4	
19	91250	1	BACKUP ALARM ASSEMBLY, STANDARD, VELVAC	
NS	80129	2	WASHER, FENDER 1/4-20 x 1 1/4 OD	
NS	85111	2	WASHER, FLAT 1/4	
NS	85133	2	LOCKWASHER, 1/4	
NS	85023	2	NUT, HEX NYLOK 1/4-20	
20	90843	1	CABLE - 3/0 RED BATTERY JUMPER 8.75"LG	
21	90844	1	CABLE - 3/0 BLK BATTERY JUMPER 8.75" LG	
NS	91224	1	CABLE - 3/0 RED BATTERY to STARTER 46" Lg	
NS	91525	1	CABLE - 3/0 RED BATTERY to PDC 41-1/2" Lg	
NS	91516	1	CABLE - 3/0 BLK BATTERY to PDC 44" Lg	
NS	91223	1	CABLE - 3/0 BLK BATTERY to STARTER 56" Lg	
22	90957	2	BATTERY BUSS BAR	
23	62410	1	HARNESS - CHASSIS PDC ISB13, SEALED POWER CONNECTIONS	
24	90207	1	HORN, ELECTRIC	
25	62265	1	BRACKET - C, FRAME WIRING STANDOFF	
REV	DATE	BY		SHEET
A	5/20/2020	AGW		1 OF 2

