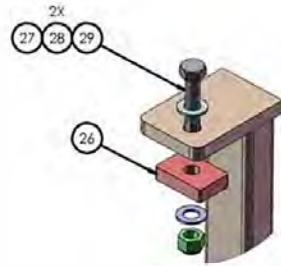


| | | | |
|------------------------------|--|-----------------|-----------------------|
| REFERENCES ARE IN INCHES | DATE | 6/14/2017 | TICO/TERMINAL SERVICE |
| TOLERANCES UNLESS SPECIFIED: | DRAWN | ESAL | AS CYPRESS RIDGE DR. |
| FRACTIONAL .005 | CHECKED | | ROCKLAND, NC 27854 |
| DECIMAL .005 | APPROVED | | (843) 777-2226 |
| FRACTIONAL .010 | DATE | | |
| ANGULAR .01° | | | |
| FRACTIONAL .015° | | | |
| UNLESS OTHERWISE SPECIFIED: | FINISHES | | |
| SEE DRAWING FOR DIMENSIONS | ROCKED SCALE DRAWING | | |
| FINISHES | THE SUBJECT MATTER SHOWN AND DESCRIBED IN THE DRAWING AND ANY OTHER INFORMATION CONTAINED HEREIN IS THE PROPERTY OF TICO/TERMINAL SERVICE AND IS TO BE USED FOR THE PURPOSES AND IN THE MANNER SPECIFIED IN THIS AGREEMENT. ALL RIGHTS TO ANY PATENTS, TRADEMARKS, SERVICE MARKS, TRADE NAMES AND COPYRIGHTS ARE RESERVED TO TICO/TERMINAL SERVICE, INC. | | |
| SEE NOTE | TITLE | | |
| FINISHES | ASSEMBLY ENGINE & TRANSMISSION | | |
| FINISHES | SIZE | DWG. NO. | REV |
| FINISHES | D | 720890 | |
| FINISHES | SCALE: 1:8 | WEIGHT: 1029.15 | SHEET 1 OF 2 |

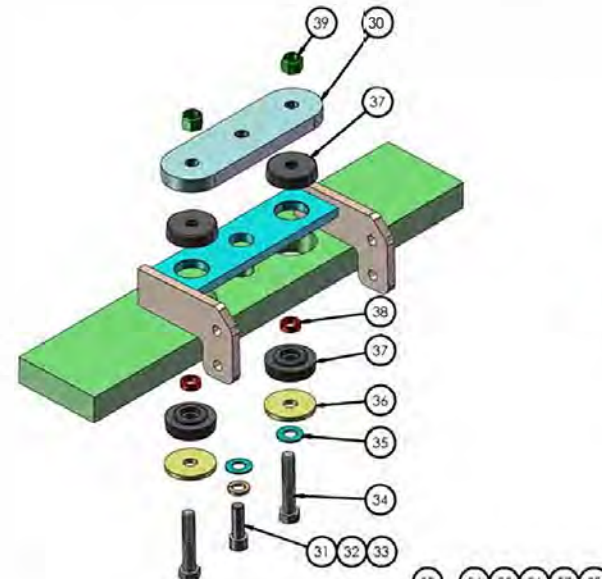
D 7270028-81



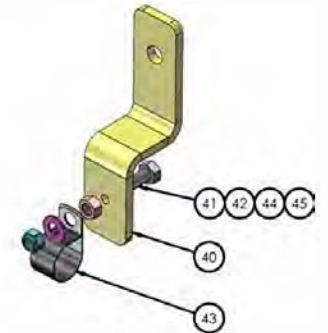
DETAIL D
SCALE 2 : 3



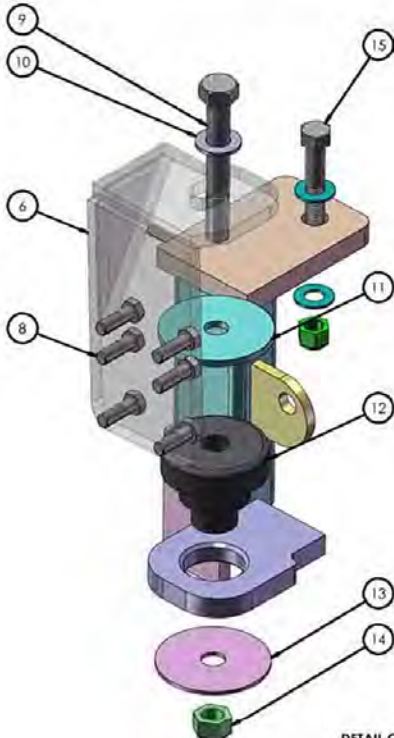
DETAIL G
SCALE 1 : 3



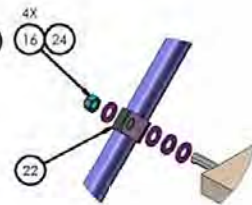
DETAIL H
SCALE 1 : 3



DETAIL I
SCALE 2 : 3



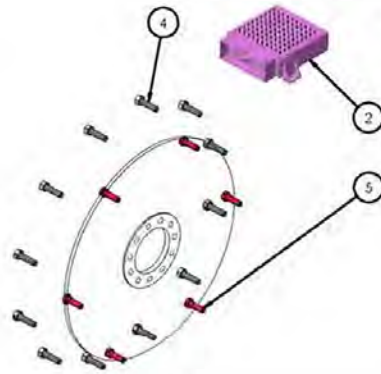
DETAIL C
SCALE 1 : 2



DETAIL E
SCALE 1 : 2



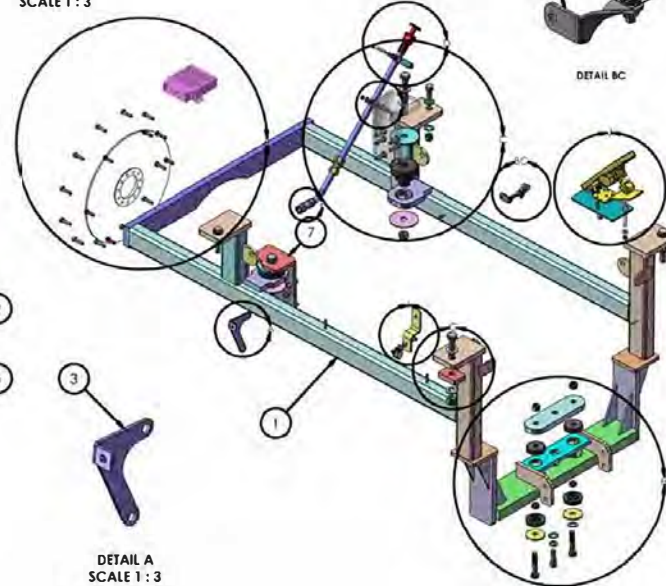
DETAIL F
SCALE 1 : 3



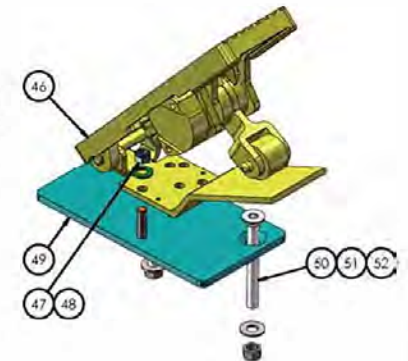
DETAIL B
SCALE 1 : 4



DETAIL A
SCALE 1 : 3



DETAIL BC



DETAIL J
SCALE 1 : 2

NOTE: ENGINE & TRANSMISSION NOT SHOWN FOR CLARITY

| | | | | |
|-------------|------|-----|--|--|
| DESIGNED BY | DATE | REV | | INTERNATIONAL GROUP AN OVERSEAS PRODUCT OF MICO (SINGAPORE) PVT. LTD. 100, RAJAWATI ROAD, SINGAPORE |
| DRAWN BY | DATE | REV | | |
| CHECKED BY | DATE | REV | TITLE ASSEMBLY, ENGINE & TRANSMISSION | SHEET NO. D 720971-C1 |
| APPROVED BY | DATE | REV | SHEET NO. D 720971-C1 | REV SHEET 2 OF 2 |

TICO PRO-SPOTTER

ENGINE & TRANS QSBVII -146HP @ 2100/ RDS3000, 1st-5th

720890

| ITEM | PART # | QTY/M | DESCRIPTION | |
|------|-----------|-------|---|--------|
| NS | 62428 | 1 | ENGINE-CUMMINS QSB-IVI 146HP @ 2100 RPM (12V) | |
| NS | 60799-15 | 1 | TRANSMISSION-ALLISON RDS 3000 SERIES TC-415 | |
| NS | 62192 | 1 | SHIFTER-TRANSMISSION PUSH BUTTON-GEN V | |
| 1 | 62115 | 1 | ENGINE CRADLE, ISB | |
| 2 | 62185 | 1 | TCM-1st-5th, , 1950 RPM SHIFT, GEN V | |
| 3 | 90910 | 1 | BRACKET-BATTERY CABLE SUPPORT | |
| 4 | 60799-12 | 1 | TRANS MOUNTING KIT | |
| 5 | 60799-6 | 6 | BOLT-FLEX PLATE/TORQUE CONV | |
| 6 | 60981 | 1 | MOUNT-REAR ENGINE LH | |
| 7 | 60982 | 1 | MOUNT-REAR ENGINE RH | |
| 8 | 80240 | 12 | BOLT-M12 x 1.5 x 35mm, HEX HD , 10.9 | |
| NS | 60799-20 | 12 | WASHER - TRANS MOUNTING | |
| 9 | 82530 | 2 | BOLT, HEX 3/4-10 X 4-1/2 LG | |
| 10 | 85095 | 2 | WASHER-3/4 | |
| 11 | 60740 | 2 | WASHER-3/4, REAR ENGINE MOUNT | |
| 12 | 60136 | 2 | ISOLATOR-REAR ENGINE | |
| 13 | 60740-1 | 2 | WASHER-3/4, REAR ENGINE MOUNT | |
| 14 | 85029 | 2 | NUT-3/4-10UNC NYLK | |
| 15 | 82508 | 2 | BOLT-3/4-16NC X 4 LG HEX HD | |
| 16 | 85095 | 2 | WASHER-3/4 | |
| 17 | 85029 | 2 | NUT-3/4-16NC NYLOCK | |
| 18 | 61574 | 1 | DIPSTICK-TRANSMISSION RDS | |
| 19 | 82426 | 3 | BOLT, HEX HEAD, 5/16-18 X 2 1/4 | |
| 20 | 85112 | 8 | WASHER, FLAT 5/16 | |
| 21 | 85134 | 2 | LOCKWASHER 5/16 | |
| 22 | 40593 | 4 | P-CLAMP | |
| 23 | 12091 | 1 | SPACER - DIPSTICK CLIP | |
| 24 | 85035 | 1 | LOCKNUT 5/16 | |
| 25 | 62126 | 1 | CLIP, DIPSTICK RETAINER | |
| NS | 80349 | 1 | STUD, 5/16-18 X 1"LG WELD | |
| NS | 85035 | 1 | LOCKNUT 5/16 | |
| 26 | 12091 | 1 | SPACER | |
| 27 | 82519 | 2 | BOLT, HEX HEAD, 3/4-16 X 4 1/4 LONG | |
| 28 | 85095 | 4 | WASHER, FLAT 3/4 | |
| 29 | 85029 | 2 | LOCKNUT, NYLON, 3/4-16 | |
| REV | DATE | BY | | SHEET |
| A | 7/17/2020 | BRN | | 1 OF 1 |

TICO MANUFACTURING - RIDGELAND, SC 29936

| TICO PRO-SPOTTER | | | | |
|---|-------------|-----------|---|--------------|
| ENGINE & TRANS QSBVII -146HP @ 2100/ RDS3000, 1st-5th | | | | 720890 |
| ITEM | PART # | QTY/M | DESCRIPTION | |
| 30 | 60809 | 1 | MOUNTING PLATE, FRONT ENGINE MOUNT | |
| 31 | 80342 | 1 | BOLT-DRILLED HEAD-M16 x 2 x 45mm, 10.9 SHCS | |
| 32 | 85138 | 1 | LOCKWASHER, 5/8-11 | |
| 33 | 85094 | 1 | WASHER, FLAT 5/8-11 | |
| 34 | 82474 | 2 | BOLT, HEX 5/8-11 x 3 1/4" LG | |
| 35 | 85094 | 2 | WASHER, FLAT 5/8-11 | |
| 36 | 60113 | 2 | WASHER, BOOM | |
| 37 | 60814 | 4 | ISOLATOR, FRONT ENGINE MOUNT DUAL SYSTEM | |
| 38 | 10971 | 2 | SPACER FRONT MOTOR MOUNT | |
| 39 | 85039 | 2 | LOCKNUT, 5/8-11 | |
| 40 | 60956 | 2 | BRACKET TRANS COOLING LINE | |
| 41 | 82382 | 3 | BOLT, HEX 5/16-18 x 2 1/4 Lg | |
| 42 | 85013 | 2 | NUT, JAM- 5/16 | |
| 43 | 40593 | 4 | P-CLAMP | |
| 44 | 85090 | 3 | WASHER, FLAT, 5/16 | |
| 45 | 85024 | 3 | LOCKNUT, NYLON 5/16 | |
| 46 | 61640 | 1 | PEDAL ACCELERATOR - ELECTRONIC QSB | |
| 47 | 85113 | 4 | WASHER, FLAT 3/8 | |
| 48 | 85036 | 2 | LOCKNUT, 3/8-16 | |
| 49 | 90632 | 1 | MOUNTING PLATE ELECTRIC THROTTLE | |
| 50 | 83318 | 2 | SC HC SCREW 3/8-16 x 3 1/2" Lg | |
| 51 | 85113 | 4 | WASHER, FLAT 3/8 | |
| 52 | 85036 | 2 | LOCKNUT, 3/8-16 | |
| NS | 61572-5 | 1 | MOUNT-FRONT ENGINE-FRAME | |
| NS | 61572-9 | 1 | BRACKET, FRONT ENGINE MOUNT | |
| NS | 82418 | 8 | BOLT-1/2-13NC X 2 LG | |
| NS | 85093 | 8 | WASHER-1/2 | |
| NS | 85027 | 8 | NUT-1/2-13NC NYLOCK | |
| NS | 61678 | 2 | ISOLATOR-REAR ENGINE | |
| NS | 61677-8 | 2 | SPACER-BOLT | |
| NS | 60061 | 1 | PRESSURE STAT 10 Lbs | |
| NS | 40467 | 1 | FITTING, TEE STREET, 1/8 NPT | |
| NS | 91068 | 1 | SENSOR-OIL PRESS GAUGE | |
| NS | 91069 | 1 | SENSOR-WATER TEMP GAUGE | |
| NS | 12091 | 1 | SPACER-DIPSTICK | |
| NS | 41026 | 1 | HOSE, ASSY, #12X 86" LG, TRANS to COOLER | |
| REV | DATE | BY | | SHEET |
| A | 7/17/2020 | BRN | | 2 OF |

