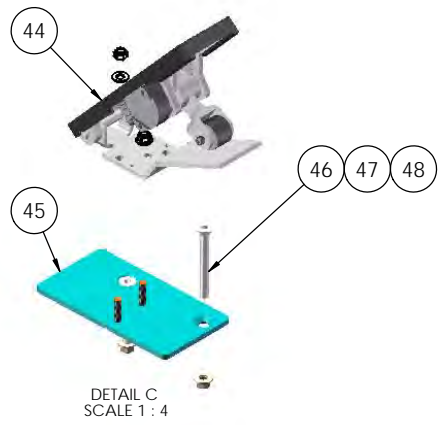
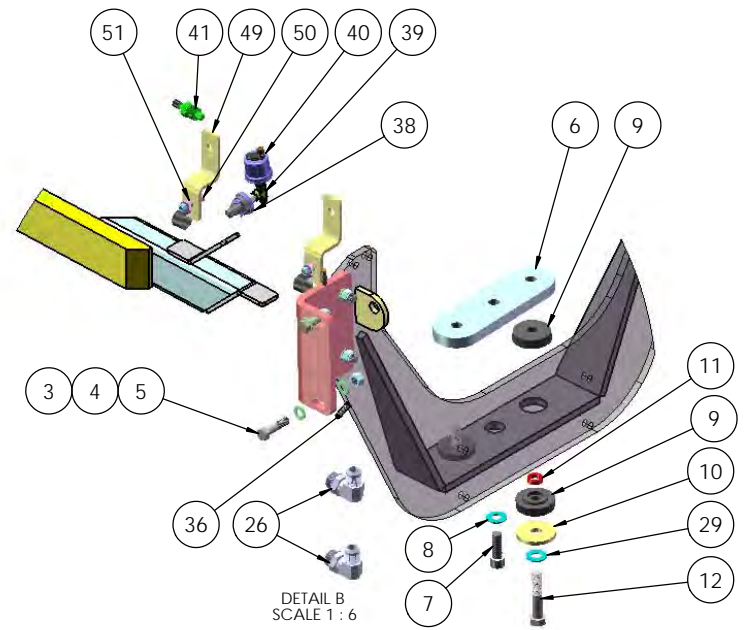


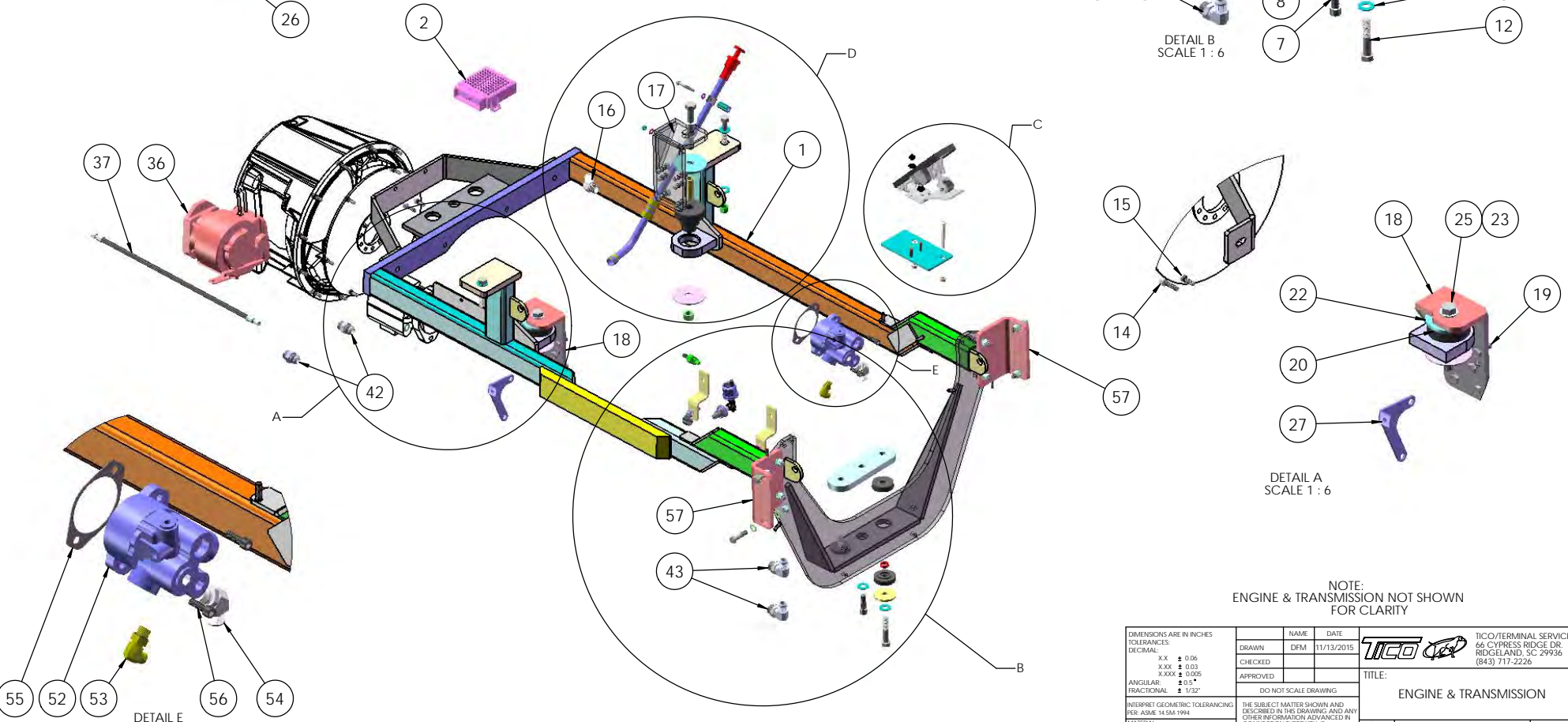
DETAIL D
SCALE 1 : 6



DETAIL C
SCALE 1 : 4



DETAIL B
SCALE 1 : 6



DETAIL A
SCALE 1 : 6

NOTE:
ENGINE & TRANSMISSION NOT SHOWN
FOR CLARITY

DIMENSIONS ARE IN INCHES		NAME	DATE	TICO/TERMINAL SERVICE 66 CYPRESS RIDGE DR. RIDGELAND, SC 29936 (843) 717-2226
TOLERANCES: DECIMAL: XXX ± 0.06 XXXX ± 0.03 XXXXX ± 0.005		DRAWN	DFM	
ANGULAR: ± 0.5° FRACATIONAL: ± 1/32"		CHECKED		
INTERPRET GEOMETRIC TOLERANCING PER: ASME Y14.5M-1994		APPROVED		
MATERIAL		DO NOT SCALE DRAWING		
FINISH		THE SUBJECT MATTER SHOWN AND DESCRIBED IN THIS DRAWING AND ANY OTHER INFORMATION ADVANCED IN CONNECTION THEREWITH IS PROPRIETARY PROPERTY AND IS TO BE HELD IN STRICT CONFIDENCE BY YOU. ALL RIGHTS TO ANY INVENTIONS, DESIGNS, TRADE MARKS, TRADE NAMES AND COPYRIGHTS DISCLOSED ARE RESERVED TO TICO TERMINAL SERVICES, INC.		
THICKNESS		TITLE: ENGINE & TRANSMISSION		
		SIZE	DWG. NO.	REV
		C	720881-A1	
		SCALE: 1:8		SHEET 1 OF 1

TICO PRO-SPOTTER				
ENGINE & TRANS				720881
ITEM	PART #	QTY/M	DESCRIPTION	
NS	61985	1	ENGINE-CUMMINS QSBiVi 158HP @ 2100 RPM (12V)	
NS	60799-15	1	TRANSMISSION-ALLISON RDS 3000 SERIES TC-415	
1	62115	1	ENGINE CRADLE, ISB	
NS	62192	1	SHIFTER-TRANSMISSION PUSH BUTTON, GEN V	
2	62185	1	TCM-1st-5th, 1950 RPM SHIFT, GEN V	
NS	61572-5	1	MOUNTING PLATE FRONT ENGINE MOUNT	
3	82418	8	BOLT, HEX 1/2-13 X 2 LG - FRONT MOUNTS	
4	85093	16	WASHER, FLAT 1/2-13	
5	85038	8	NUTLOCK, 1/2-13	
6	60809	1	MOUNTING PLATE FRONT ENGINE MOUNT	
7	80342	1	BOLT-DRILLED HEAD-M16 x 2 x 45mm, 10.9 SHCS	
8	85094	1	WASHER, FLAT 5/8-11	
9	60814	4	ISOLATOR, FRONT ENGINE MOUNT DUAL SYSTEM	
10	60113	2	WASHER, BOOM	
11	10971	2	SPACER FRONT MOTOR MOUNT	
12	82474	2	BOLT, HEX 5/8-11 x 3 1/4" LG	
13	85039	2	LOCKNUT, 5/8-11	
14	60799-12	1	TRANS MOUNTING KIT	
16	60799-6	6	BOLT-FLEX PLATE/TORQUE CONV	
17	42055	1	FITTING, HOSE BARB-45°, # 16 HOSE X 3/4 NPT	
18	60981	1	MOUNT-REAR ENGINE LH	
19	60982	1	MOUNT-REAR ENGINE RH	
20	80240	12	BOLT-M12 x 1.5 x 35mm, HEX HD , 10.9	
21	61678	2	ISOLATOR-REAR ENGINE	
22	61677-8	2	SPACER-BOLT	
23	60740	2	WASHER-3/4, REAR ENGINE MOUNT	
24	85095	2	WASHER, FLAT 3/4	
25	60740-1	2	WASHER-3/4, REAR ENGINE MOUNT	
26	82574	2	BOLT-3/4-10UNC x 5 1/2 LG HEX HD	
27	85029	2	NUT-3/4-10UNC NYLK	
28	90910	1	BRACKET-BATTERY CABLE SUPPORT	
29	61574	1	DIPSTICK-TRANSMISSION RDS	
NS	62126	1	CLIP, DIPSTICK RETAINER	
30	12091	1	SPACER	
31	82382	3	BOLT, HEX 5/16-18 x 2 1/4 Lg	
32	85112	8	WASHER, FLAT 5/16	
33	40593	4	P-CLAMP	
REV	DATE	BY		SHEET
A	6/10/2020	BRN		1 OF 3

