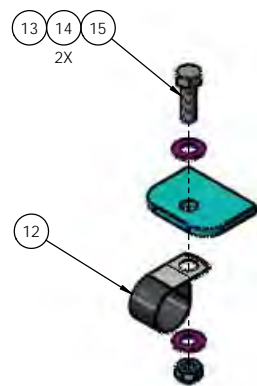
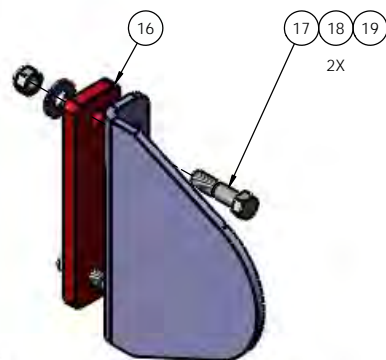


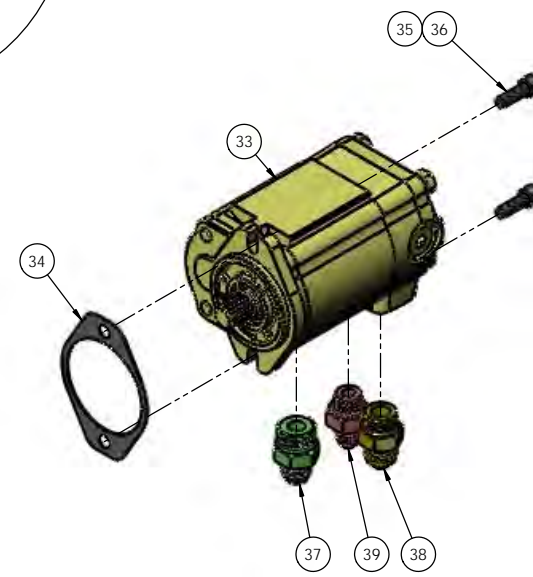
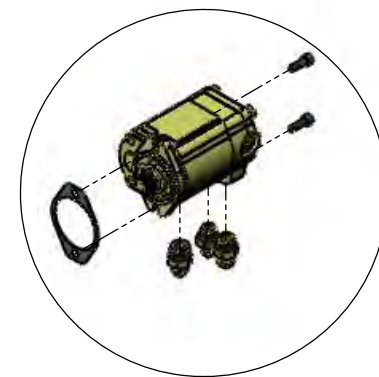
DETAIL A
SCALE 2 : 5.5



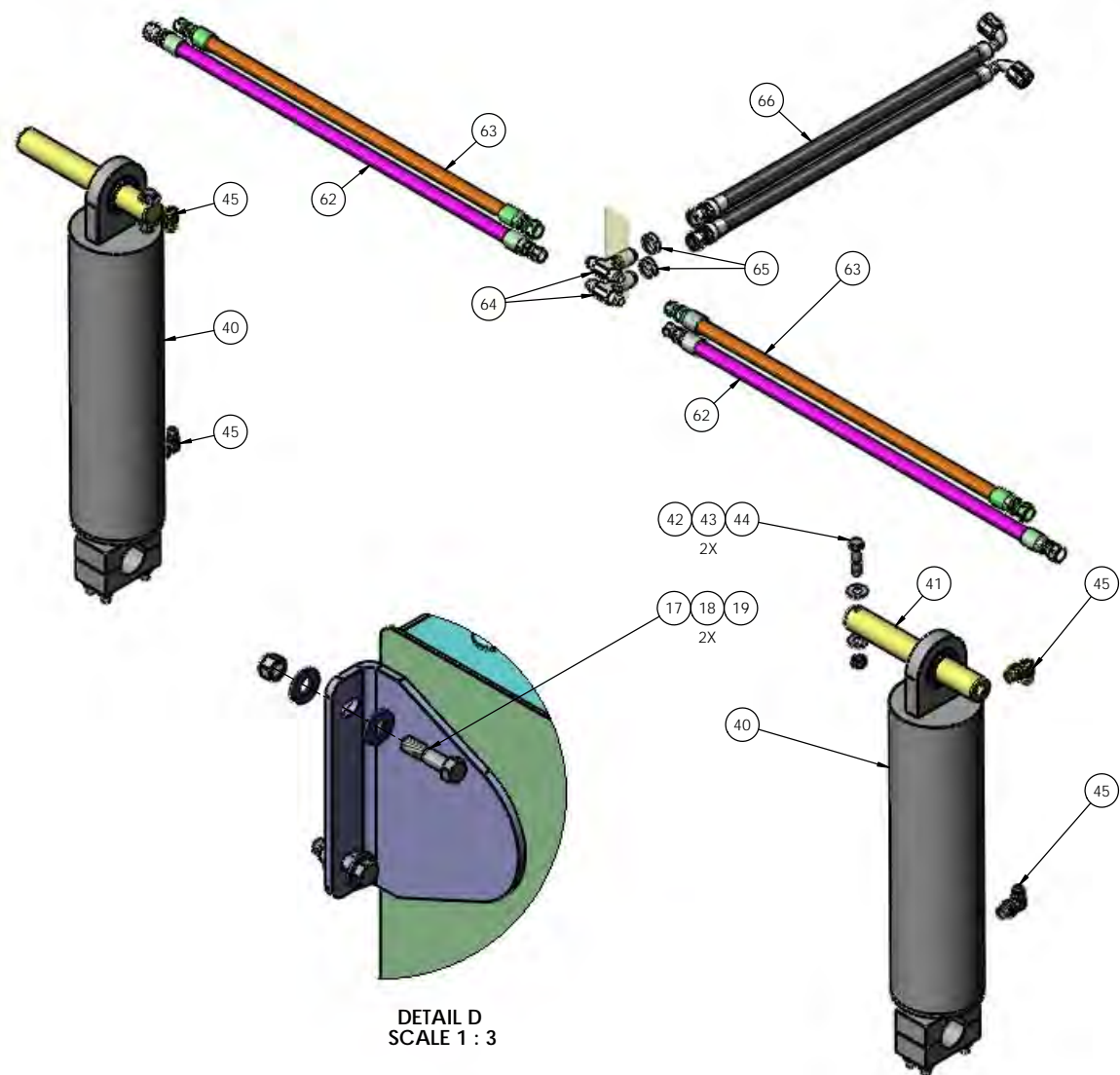
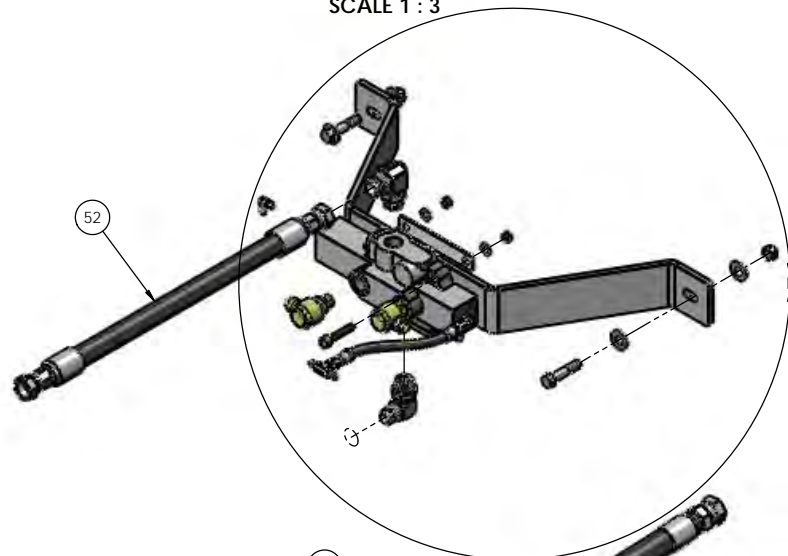
DETAIL B
SCALE 1 : 2



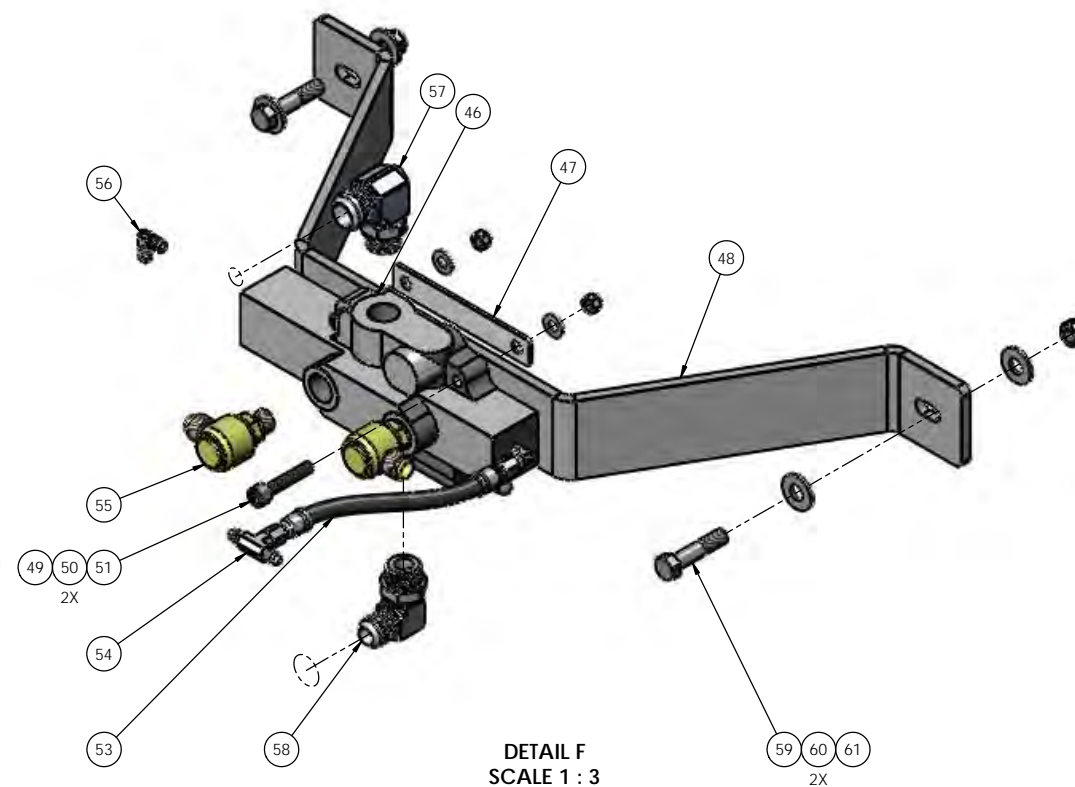
DETAIL C
SCALE 1 : 3



DETAIL E
SCALE 1 : 3



DETAIL D
SCALE 1 : 3



DETAIL F
SCALE 1 : 3

DIMENSIONS ARE IN INCHES TOLERANCES: DECIMAL XX ± 0.06 XXX ± 0.03 XXXX ± 0.005 ANGULAR FRACTIONAL ± 1/32"		NAME DFM REVISION MPC APPROVED	DATE 08/11/2015 08/17/2016	TICO/TERMINAL SERVICE 44 CYPRESS RIDGE DR. RIDGELAND, SC 29936 (843) 717-2226
INTERPRET GEOMETRIC TOLERANCING PER: ASME Y14.5M 1994 MATERIAL FINISH THICKNESS		DO NOT SCALE DRAWING THE SUBJECT MATTER SHOWN AND DESCRIBED IN THIS DRAWING AND ANY OTHER INFORMATION ADVANCED IN CONNECTION THEREWITH IS PROPRIETARY PROPERTY AND IS TO BE HELD IN STRICT CONFIDENCE BY YOU. ALL RIGHTS TO ANY INVENTIONS, DESIGN, TRADE MARKS, TRADE NAMES AND COPYRIGHTS DISCLOSED ARE RESERVED TO TICO TERMINAL SERVICES, INC.		
SIZE D		DWG. NO. 720858-A1		REV
				SHEET 1 OF 1

TICO PRO-SPOTTER				
HYDRAULIC SYSTEM				720858
ITEM	PART #	QTY/M	DESCRIPTION	
1	42098	1	TANK - HYDRAULIC	
2	60556-1	1	FILTER	
3	1026037	1	SEAL	
4	60556-2	1	FILTER HEAD	
5	40963	2	FITTING, ELBOW 90° STEEL, 1" JIC X 1-1/4 NPT @ FILTER	
6	20100	2	U-BOLT (3/8" DIA x 2" ID x 3-5/8" OAL)	
7	85091	4	WASHER, 3/8" HRDN	
8	85025	4	NUT, 3/8"-16 NYLOK	
9	82371	2	BOLT - HEX 5/16-18 X 1" LG - FILTER TO TANK	
10	85090	2	WASHER - 5/16	
11	85134	2	LOCKWASHER 5/16	
12	40593	1	P, CLAMP	
13	82371	1	BOLT, HEX 5/16-18 X 1" LG	
14	85112	2	WASHER 5/16	
15	85024	1	NUT, NYLOK 5/16-18	
16	30174	1	SPACER - HYDRAULIC TANK	
17	82418	4	BOLT, HEX 1/2-13 X 2 LG	
18	85104	8	FLATWASHER 1/2	
19	85027	4	NUT, NYLOK 3/8-16	
20	40841	3	FITTING, PLUG BRASS, 3/8" NPT, HEX HEAD SOCKET	
21	11004	3 FT	TUBING - NYLON AIR BRAKE BLACK - 3/8" DIA	
22	40823	1	FITTING, ELBOW 90° BRASS, 3/8 TUBE TO 3/8 NPT @ TANK TOP	
23	41278	1	HOSE, H03920, 1-1/4" DIA SUCTION X 85-1/2" HOSE X 90-3/4"OAL	
NS	12469	2	SPACER - 1" LG PIPE	
24	40984	1	FITTING, ELBOW 45° STEEL, 1-1/4 JIC TO 1-1/4 NPT	
25	40218	1	BALL VALVE - 1-1/4 NPTF	
26	40816	1	FITTING, NIPPLE CLOSE STEEL, 1-1/4 NPT (@ TANK)	
27	40805	1	FITTING, ELBOW STREET 90° STEEL, 1-1/4 NPT TO 1-1/4 NPTF	
28	41218	1	HOSE - 1" X 25 HOSE X 30-1/16 OAL - FILTER TO TANK	
29	40961	1	FITTING, STR ADAPTER STEEL, 1" JIC TO 1" NPT (@ SHUT-OFF)	
30	40146	1	SHUT-OFF VALVE - 1"	
31	41120	2	FITTING, CLOSE NIPPLE STEEL, 1" NPT (@ SHUT-OFF & TANK)	
32	41119	1	FITTING, ELBOW 90° STEEL, 1" NPTF BOTH ENDS	
REV	DATE	BY		SHEET
A	6/10/2020	BRN		1 OF 1

TICO PRO-SPOTTER				
HYDRAULIC SYSTEM				720858
ITEM	PART #	QTY/M	DESCRIPTION	
33	61962	1	PUMP - 20 GPM STEER PRIORITY	
34	60212	1	GASKET	
35	80175	2	BOLT - SOC HD M10 X 1.5 X 30MM LG	
36	85091	2	WASHER 3/8	
37	42019	1	FITTING, STR ADAPTER STEEL, 1" "O"RING X 1-1/4 JIC (PUMP SUCTION)	
38	40471	1	FITTING, STR ADAPTER STEEL, 3/4" O-RING TO 3/4" JIC	
39	42006	1	FITTING, STR ADAPTER STEEL, 1/2" O-RING TO 1/2" JIC	
40	30148-1	2	CYLINDER 5" - 15" STROKE	
41	30187-12	2	PIN - UPPER	
42	82418	2	BOLT, HEX 1/2-13 X 2 LG	
43	85115	4	WASHER 1/2	
44	85027	2	NUT, NYLOK 1/2-13	
45	10623	1	FITTING, ELBOW 90°- 3/4 ORB TO 1" JIC @ VALVE RETURN	
	40748	1	HOSE - 1" X 64 HOSE X68-1/2 OAL - VALVE TO FILTER	
46				
47	60555-SB	1	VALVE - DIRECTIONAL CONTROL	
48	62299	1	BRACKET - DCV SPACER	
49	62082	1	MOUNT PLATE - VALVE	
50	82429	2	BOLT, HEX 1/2-13 X 2-1/4 LG	
51	85115	4	WASHER 1/2	
52	85027	2	NUT, NYLOK 1/2-13	
53	41239	1	HOSE PUMP-VALVE 3/4 DIA X 73 1/2 HOSE/77-5/8 OAL	
54	42083	1	TEE - JIC, #4	
55	40460	4	FITTING, ELBOW 90° STEEL, 1/2 "O"RING TO 1/2 JIC	
56	41187	2	FITTING, ELBOW 90° STEEL, 3/4 "O"RING TO 5/8 JIC SWIVEL	
57	40471	REF	FITTING, STR ADAPTER STEEL, 3/4 "O"RING X 3/4 JIC (@PUMP PRESSURE)	
58	10624	1	FITTING, ELBOW 90° STEEL, 3/4 "O"RING TO 3/4 JIC (@ VALVE)	
59	80171	2	CAPSCREW - SOC HD 3/8 X 2	
60	85113	2	WASHER 3/8	
61	85025	2	NUT, NYLOK 3/8-16	
62	41230	2	HOSE - TEE TO CYLINDER EXTEND	
63	41231	2	HOSE - TEE TO CYLINDER - RETRACT	
64	50050	2	FITTING, TEE BULKHEAD STEEL, 5/8 JIC	
65	50050-2	2	NUT - 7/8-14	
66	410316	2	HOSE ASS'Y - H28010, 5/8" ID 106 5/8" OAL, STR/90 VALVE TO TEE	
NS	40816	1	FITTING, NIPPLE CLOSE STEEL, 1-1/4 NPT (@ TANK)	
NS	61883	2	BRACKET - STANDOFF	
REV	DATE	BY		SHEET
A	6/10/2020	BRN		2 OF