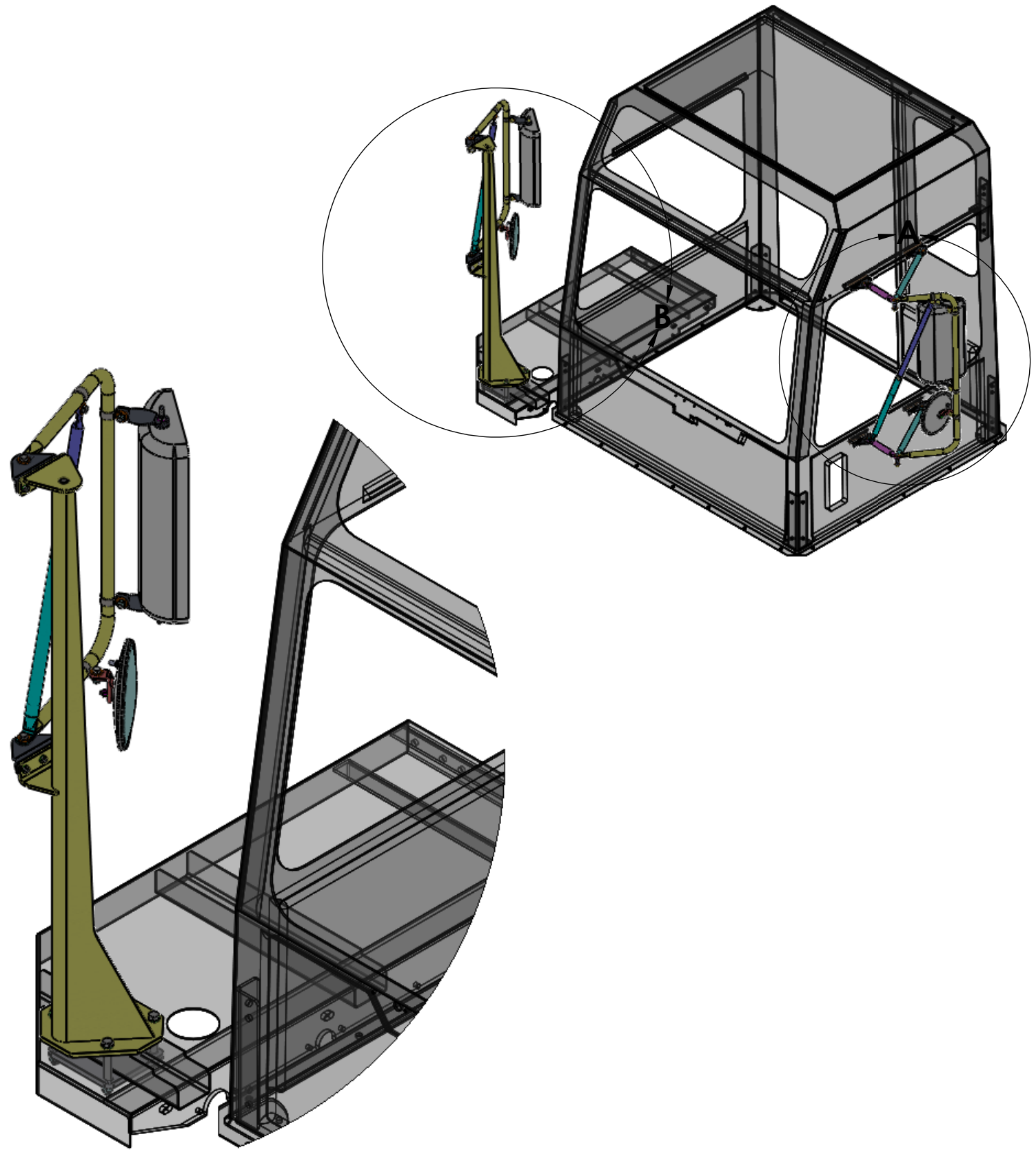


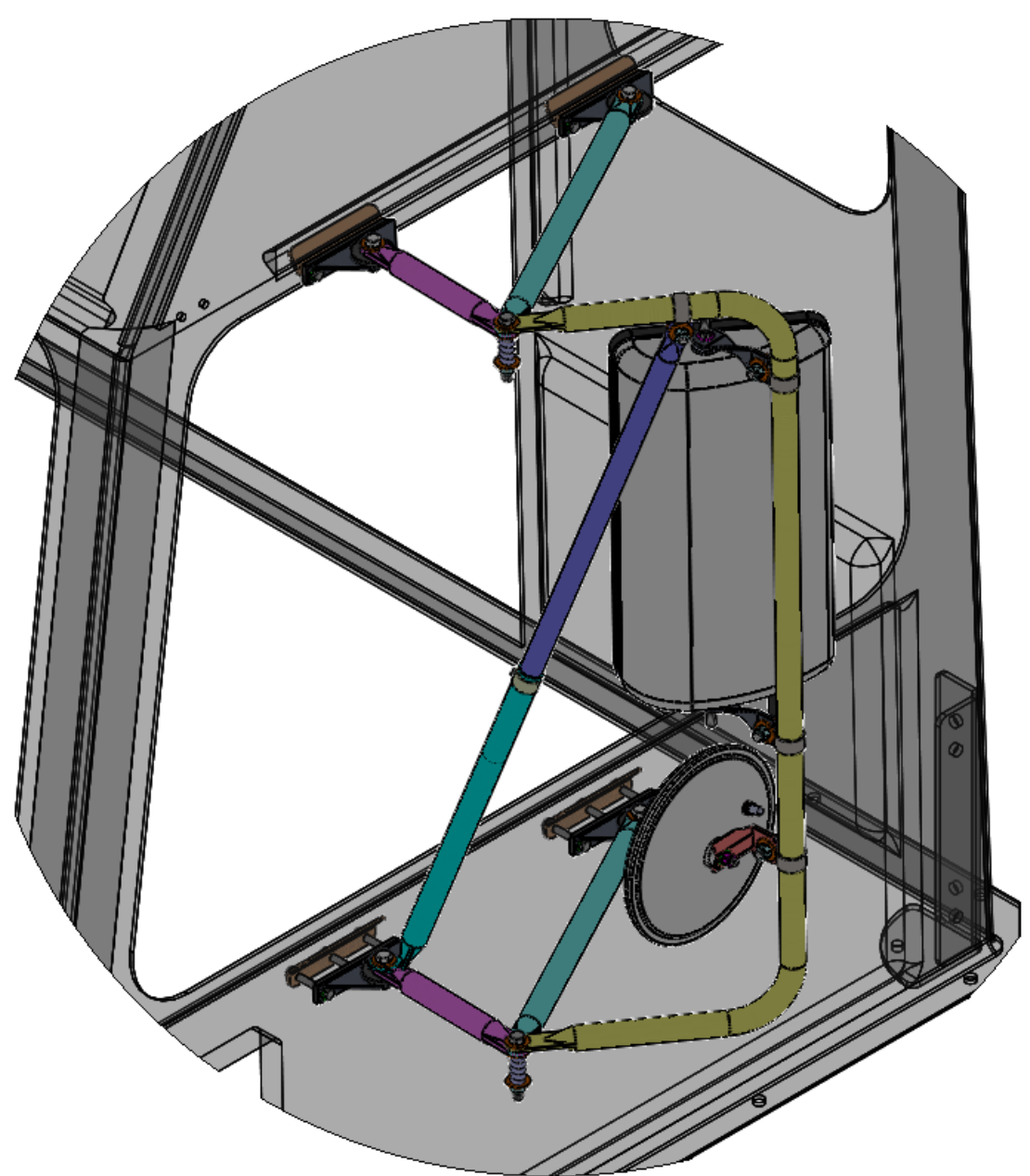
8 7 6 5 4 3 2 1

D  
C  
B  
A


D  
C  
B  
A



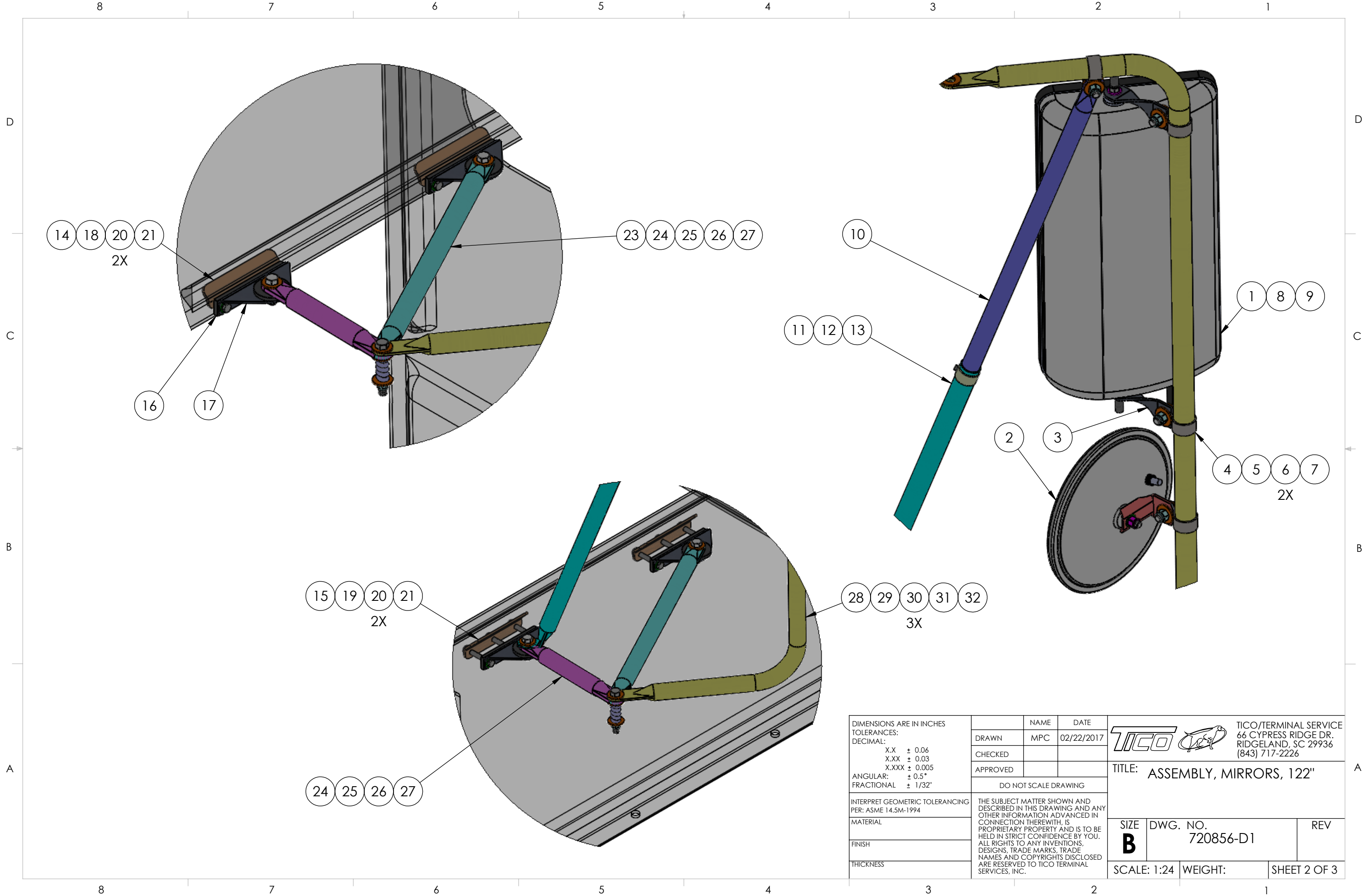
**RIGHT-HAND MIRROR & STANCHION  
PAGE 3**




**LEFT-HAND MIRROR & BRACKETS  
PAGE 2**

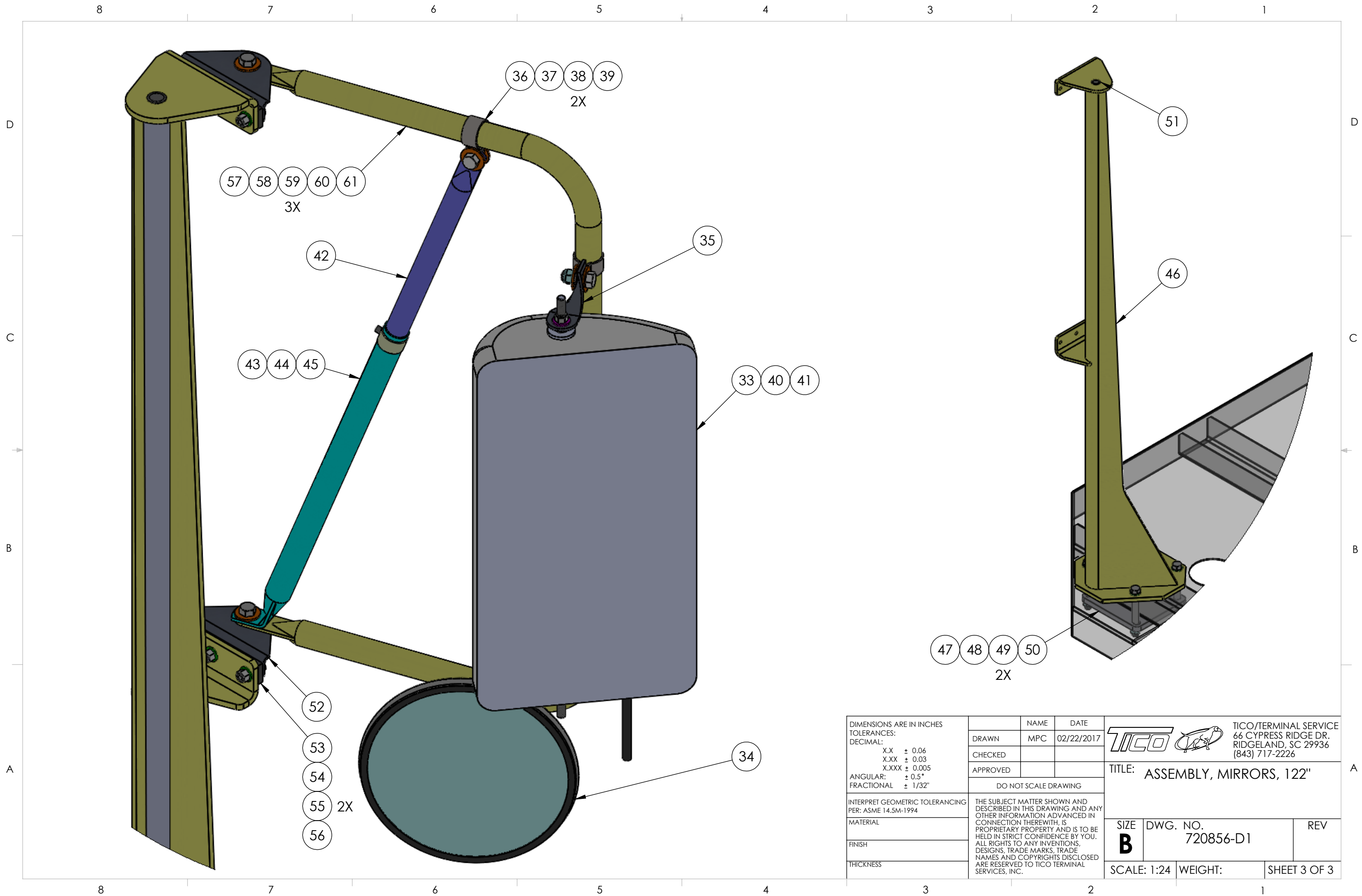
DIMENSIONS ARE IN INCHES TOLERANCES: DECIMAL: X.X ± 0.06 X.XX ± 0.03 X.XXX ± 0.005 ANGULAR: ± 0.5° FRACTIONAL ± 1/32"	DRAWN MPC	NAME MPC	DATE 02/22/2017	 TICO/TERMINAL SERVICE 66 CYPRESS RIDGE DR. RIDGELAND, SC 29936 (843) 717-2226
	CHECKED	APPROVED	TITLE: ASSEMBLY, MIRRORS, 122"	
	DO NOT SCALE DRAWING			
INTERPRET GEOMETRIC TOLERANCING PER: ASME 14.5M-1994	THE SUBJECT MATTER SHOWN AND DESCRIBED IN THIS DRAWING AND ANY OTHER INFORMATION ADVANCED IN CONNECTION THEREWITH, IS PROPRIETARY PROPERTY AND IS TO BE HELD IN STRICT CONFIDENCE BY YOU. ALL RIGHTS TO ANY INVENTIONS, DESIGNS, TRADE MARKS, TRADE NAMES AND COPYRIGHTS DISCLOSED ARE RESERVED TO TICO TERMINAL SERVICES, INC.			SIZE <b>B</b>
MATERIAL	DWG. NO. 720856-D1		REV	
FINISH	SCALE: 1:24	WEIGHT:	SHEET 1 OF 3	
THICKNESS				


8 7 6 5 4 3 2 1



DIMENSIONS ARE IN INCHES		NAME	DATE
TOLERANCES:		DRAWN	MPC 02/22/2017
DECIMAL:		CHECKED	
X.X ± 0.06		APPROVED	
X.XX ± 0.03		DO NOT SCALE DRAWING	
X.XXX ± 0.005		THE SUBJECT MATTER SHOWN AND DESCRIBED IN THIS DRAWING AND ANY OTHER INFORMATION ADVANCED IN CONNECTION THEREWITH, IS PROPRIETARY PROPERTY AND IS TO BE HELD IN STRICT CONFIDENCE BY YOU. ALL RIGHTS TO ANY INVENTIONS, DESIGNS, TRADE MARKS, TRADE NAMES AND COPYRIGHTS DISCLOSED ARE RESERVED TO TICO TERMINAL SERVICES, INC.	
ANGULAR: ± 0.5°			
FRACTIONAL ± 1/32"			
INTERPRET GEOMETRIC TOLERANCING PER: ASME 14.5M-1994			
MATERIAL			
FINISH			
THICKNESS			

 TICO/TERMINAL SERVICE 66 CYPRESS RIDGE DR. RIDGELAND, SC 29936 (843) 717-2226		TITLE: ASSEMBLY, MIRRORS, 122"	
		SIZE <b>B</b>	DWG. NO. 720856-D1
SCALE: 1:24		WEIGHT:	SHEET 2 OF 3



DIMENSIONS ARE IN INCHES TOLERANCES: DECIMAL: X.X ± 0.06 X.XX ± 0.03 X.XXX ± 0.005 ANGULAR: ± 0.5° FRACTIONAL ± 1/32"	NAME	DATE	 TICO/TERMINAL SERVICE 66 CYPRESS RIDGE DR. RIDGELAND, SC 29936 (843) 717-2226	
	DRAWN	MPC		02/22/2017
	CHECKED			
	APPROVED			
INTERPRET GEOMETRIC TOLERANCING PER: ASME 14.5M-1994	DO NOT SCALE DRAWING		TITLE: ASSEMBLY, MIRRORS, 122"	
MATERIAL	THE SUBJECT MATTER SHOWN AND DESCRIBED IN THIS DRAWING AND ANY OTHER INFORMATION ADVANCED IN CONNECTION THEREWITH, IS PROPRIETARY PROPERTY AND IS TO BE HELD IN STRICT CONFIDENCE BY YOU. ALL RIGHTS TO ANY INVENTIONS, DESIGNS, TRADE MARKS, TRADE NAMES AND COPYRIGHTS DISCLOSED ARE RESERVED TO TICO TERMINAL SERVICES, INC.		SIZE <b>B</b>	
FINISH			DWG. NO. 720856-D1	
THICKNESS			REV	
	SCALE: 1:24	WEIGHT:	SHEET 3 OF 3	

TICO PRO-SPOTTER				
			ASSEMBLY, MIRRORS, 122"	720856
ITEM	PART #	QTY/M	DESCRIPTION	
	720856-D1	REF	ASSEMBLY, MIRRORS, 122"	
	62329	REF	SCHEMATIC, MOTORIZED MIRRORS	
1	50221	1	MIRROR, MANUAL, HEATED, LEFT-HAND	
2	90697	1	MIRROR, CONVEX, HEATED	
3	50240	2	BRACKET, TWISTED	
4	50239	3	CLAMP, 1"	
5	80315	4	BOLT, HEX HEAD, STAINLESS STEEL, 3/8-16 X 1 LONG	
6	80314	8	WASHER, FLAT, STAINLESS STEEL, 3/8	
7	80320	4	LOCKNUT, NYLON, STAINLESS STEEL, 3/8-16	
8	80313	3	WASHER, FLAT, STAINLESS STEEL, 5/16	
9	80319	3	LOCKNUT, NYLON, STAINLESS STEEL, 5/16-18	
10	50254	1	STABILIZER BAR, INNER	
11	50237	1	STABILIZER BAR, OUTER	
12	50255	1	COLLAR, STABILIZER BAR	
13	50256	1	SET SCREW, COLLAR	
14	50241	2	BRACKET, UPPER, MIRROR	
15	50243	2	BRACKET, LOWER, MIRROR	
16	91609	4	ISOLATOR, RUBBER	
17	50238	4	ANGLE MOUNT, MIRROR	
18	80361	6	BOLT, HEX HEAD, STAINLESS STEEL, 1/4-20 X 1 LONG	
19	80340	6	BOLT, HEX HEAD, STAINLESS STEEL, 1/4-20 X 2 LONG	
20	80311	24	WASHER, FLAT, STAINLESS STEEL, 1/4	
21	80360	12	LOCKNUT, NYLON, 1/4-20	
22	50242	2	BRACE, HORIZONTAL, MIRROR, FORWARD	
23	50235	2	BRACE, HORIZONTAL, MIRROR, AFTER	
24	80316	4	BOLT, HEX HEAD, STAINLESS STEEL, 3/8-16 X 1-1/4 LONG	
25	80314	8	WASHER, FLAT, STAINLESS STEEL, 3/8	
26	60857	4	ISOLATOR, RUBBER	
27	80320	2	LOCKNUT, NYLON, STAINLESS STEEL, 3/8-16	
28	50234	1	LOOP, MIRROR, 11"	
29	80318	2	BOLT, HEX HEAD, STAINLESS STEEL, 3/8-16 X 2-3/4 LONG	
30	80314	4	WASHER, FLAT, STAINLESS STEEL, 3/8	
31	50250	2	SPRING, COMPRESSION, STAINLESS STEEL	
32	80320	2	LOCKNUT, NYLON, STAINLESS STEEL, 3/8-16	
NOT SHOWN	90745	1	SWITCH, ROCKER, HEATED MIRROR	
NOT SHOWN	620601	1	HARNESS, MIRROR DIRECTION	
<b>REV</b>	<b>DATE</b>	<b>BY</b>		<b>SHEET</b>
D	02/23/2017	MPC		1 OF 2
<b>TICO MANUFACTURING - RIDGELAND, SC 29936</b>				

