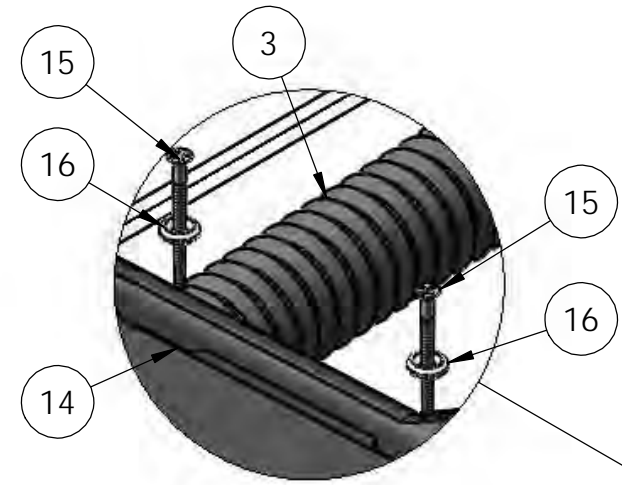


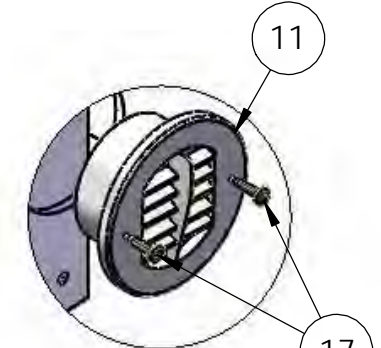
8 7 6 5 4 3 2 1

D
C
B
A

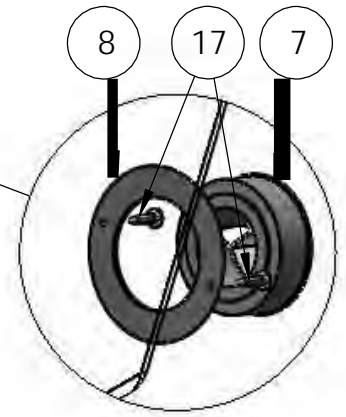
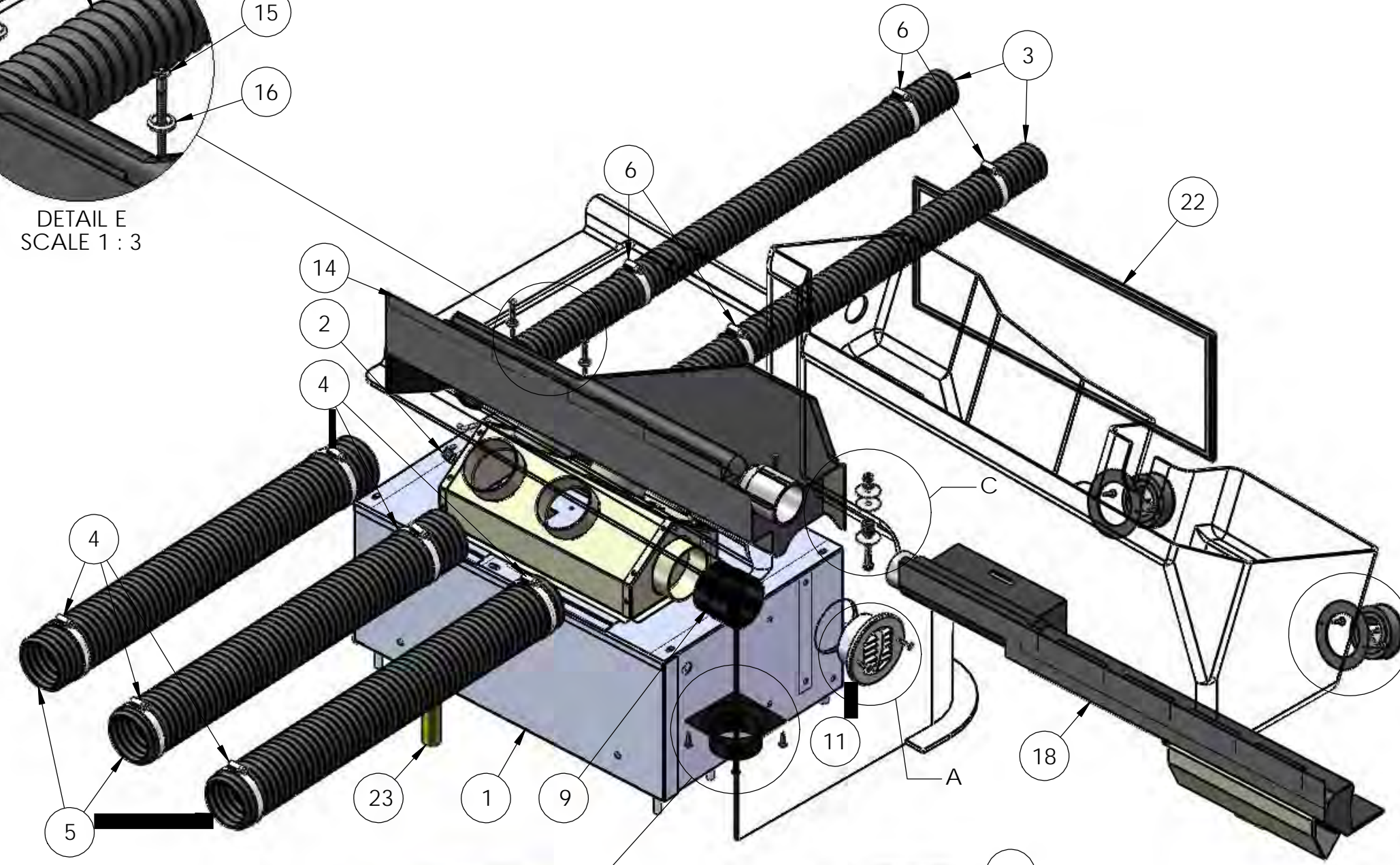
D
C
B
A



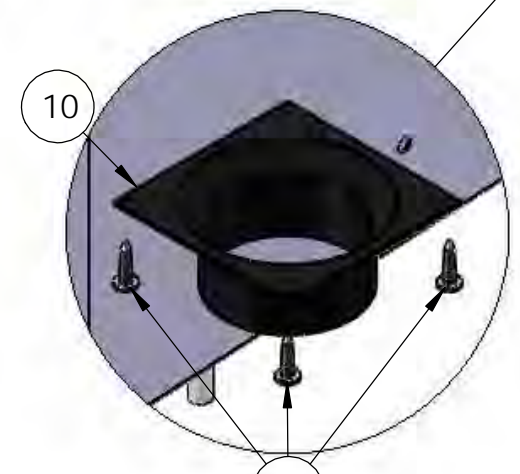
DETAIL E
SCALE 1 : 3



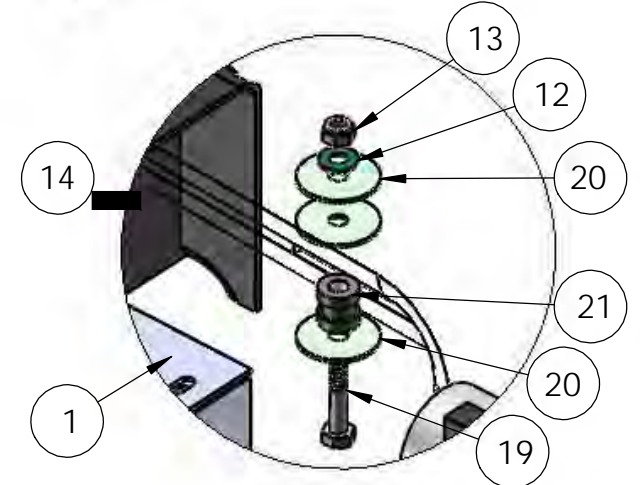
DETAIL A
SCALE 1 : 4



DETAIL B
SCALE 1 : 4



DETAIL D
SCALE 1 : 3



DETAIL C
SCALE 1 : 3

DIMENSIONS ARE IN INCHES
TOLERANCES:
DECIMAL:
X.X ± 0.1250
X.XX ± 0.0625
X.XXX ± 0.0313
ANGULAR: ± 1°
FRACTIONAL ± 1/16"

INTERPRET GEOMETRIC TOLERANCING PER: ASME 14.5M-1994


MATERIAL

FINISH

THICKNESS

	NAME	DATE
DRAWN	SMB	8/31/15
CHECKED		
APPROVED		
DO NOT SCALE DRAWING		

THE SUBJECT MATTER SHOWN AND DESCRIBED IN THIS DRAWING AND ANY OTHER INFORMATION ADVANCED IN CONNECTION THEREWITH, IS PROPRIETARY PROPERTY AND IS TO BE HELD IN STRICT CONFIDENCE BY YOU. ALL RIGHTS TO ANY INVENTIONS, DESIGNS, TRADE MARKS, TRADE NAMES AND COPYRIGHTS DISCLOSED ARE RESERVED TO TICO TERMINAL SERVICES, INC.

			TICO/TERMINAL SERVICE 66 CYPRESS RIDGE DR. RIDGELAND, SC 29936 (843) 717-2226		
TITLE:					
CAB HEATER ASSEMBLY, ACC					
SIZE	DWG. NO.			REV	
B	720853-A1			B1	
SCALE: 1:8				SHEET 1 OF 1	

8 7 6 5 4 3 2 1

TICO PRO-SPOTTER				
S/N:		CAB HEATER ASSEMBLY, ACC		720853
ITEM	PART #	QTY/M	DESCRIPTION	TASK
	720853-A1	REF	CAB HEATER ASSEMBLY, ACC	
1	91722-34	1	MODULE, ACC HEATER	
2	91722-36	1	ASSEMBLY, PLENUM, CABLE CONTROL	
3	91722-26	1.25 FT	HOSE, 3" FLEX	
-	91722-26	1.75 FT	HOSE, 3" FLEX	
-	91722-26	1.00 FT	HOSE, 3" FLEX	
4	24120	6	CLAMP, 3" DIA HOSE	
5	91722-4	6 FT	HOSE, 2" FLEX	
-	91722-4	5 FT	HOSE, 2" FLEX	
NOT SHOWN	91722-6	2 FT	HOSE, 2 1/2" I.D. ULTRA SMOOTH X 2' LG	
6	42157	4	CLAMP, WORMGEAR, LINER, 2" DIA HOSE	
7	91722-13	2	LOUVER, 2-1/2", NO ADAPTER BALL	
	91722-14	2	ADAPTER, 2", HOSE BALL LOUVER	
8	91722-15	2	RING, LOUVER TRIM	
9	91722-16	1	ADAPTER, 3" TO 2 1/2" HOSE	
10	91722-17	1	ADAPTER, 3" HOSE FLANGED	
11	91722-18	1	LOUVER, 3" FIXED DOWNDRAFT	
12	85089	2	WASHER, 1/4	
13	85023	2	NUT, NYLOCK, 1/4-20	
14	91828	1	MANIFOLD, DEFROSTER, RIGHT	
15	80272	2	SCREW, WOOD, #10 X 3 LG	
16	80302	2	WASHER, FINISHING, #10	
17	80262	4	SCREW, WOOD, 5-20 X 3/4 LG	
18	91783	1	MANIFOLD, DEFROSTER, LEFT	
19	82392	2	BOLT, HEX, 1/4-20 X 1 1/2 LG	
20	80129	6	WASHER, FENDER, 1/4 X 1 1/4" OD	
21	80303	2	GROMMET, RUBBER, 1/2 X 5/8 X 5/16 HOLE	
NOT SHOWN	920001	1	VALVE, HEATER FLOW CONTROL, INVERTED	
NOT SHOWN	91921	1	MAT, HEATER	
22	920011	1	FILTER, HEATER-A/C, 20 1/2 X 8, PERMATRON	
REV	DATE	BY		SHEET
				1 OF 2

TICO MANUFACTURING - RIDGELAND, SC 29936

