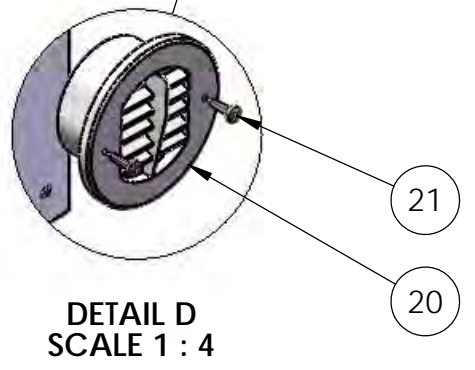
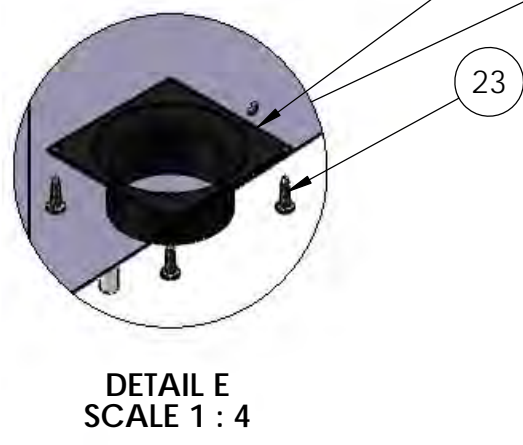
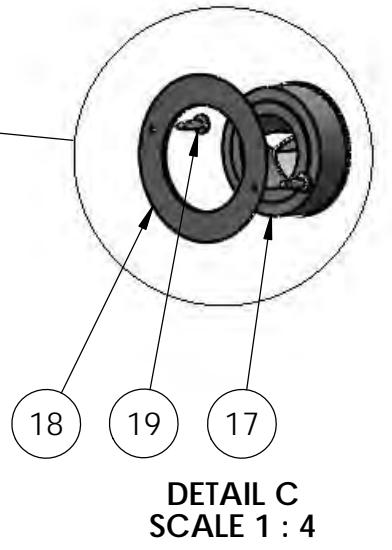
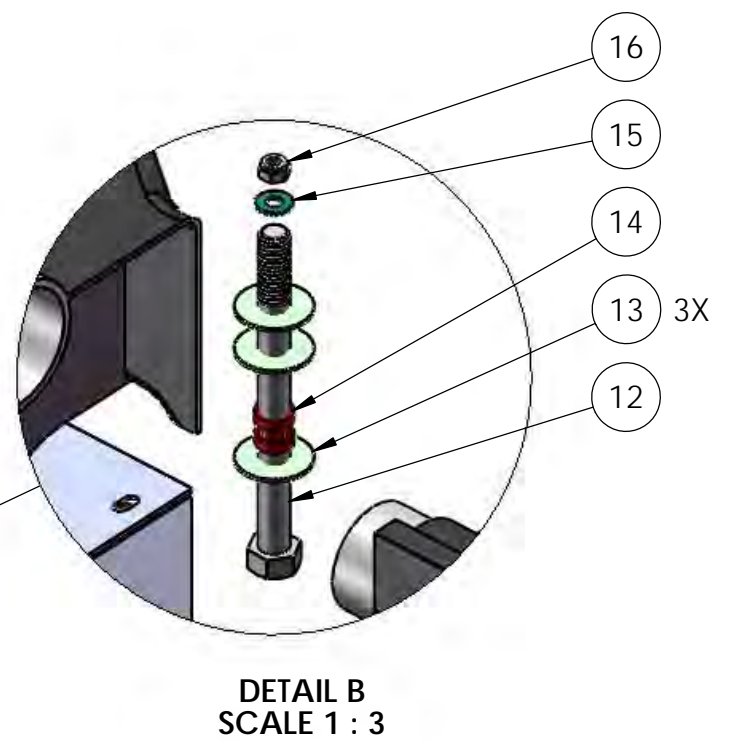
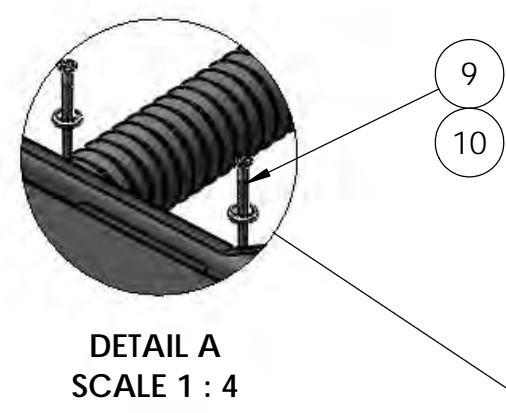
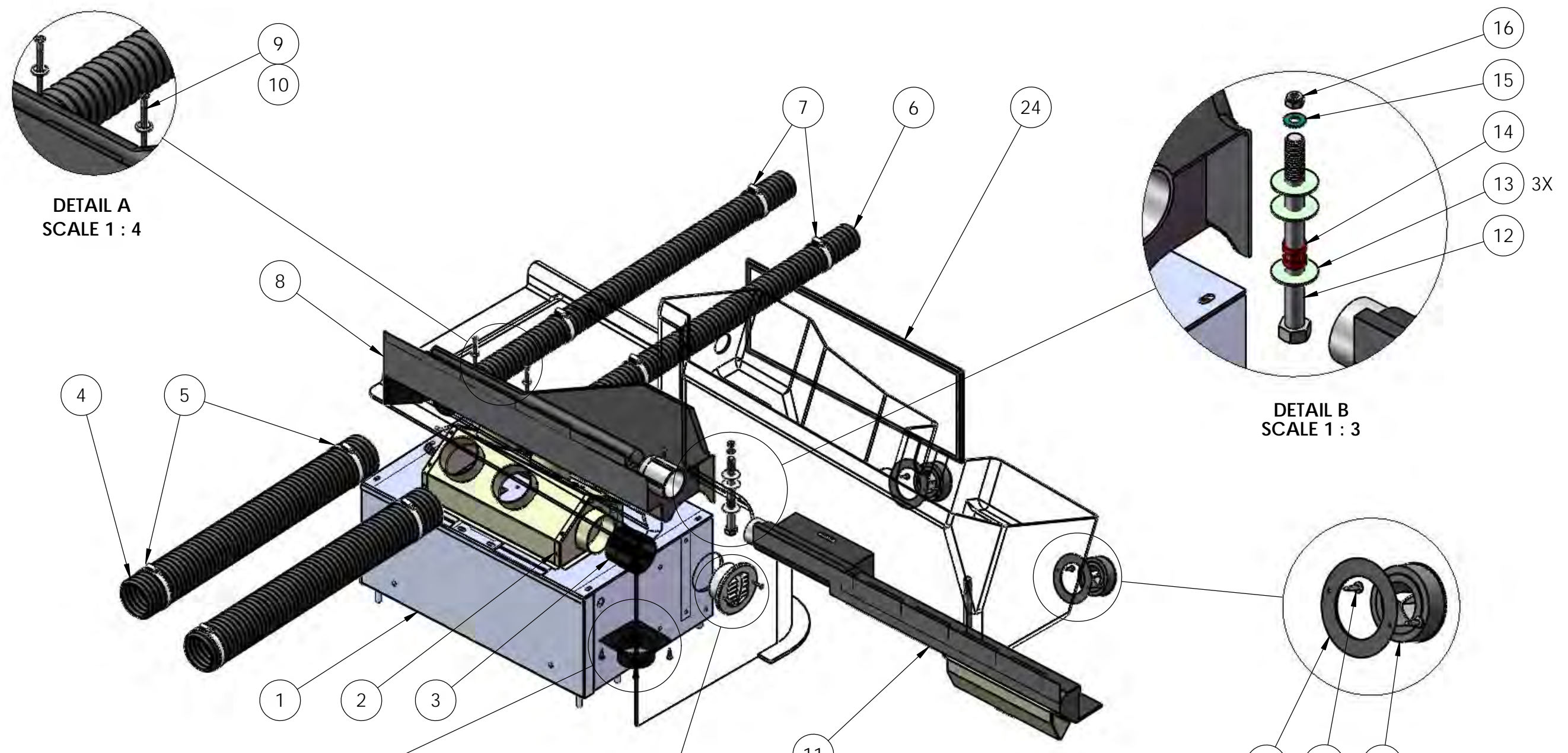



8 7 6 5 4 3 2 1

D
C
B
A

D
C
B
A



DIMENSIONS ARE IN INCHES TOLERANCES: DECIMAL: X.X ± 0.1250 X.XX ± 0.0625 X.XXX ± 0.0313 ANGULAR: FRACTIONAL ± 1° ± 1/16"	DRAWN SMB 08/31/2015	NAME DATE	 TICO/TERMINAL SERVICE 66 CYPRESS RIDGE DR. RIDGELAND, SC 29936 (843) 717-2226
	REVISED MPC 07/05/2016	APPROVED	
	DO NOT SCALE DRAWING		
	TITLE: ASSEMBLY, CAB HEATER QSB IVi		
INTERPRET GEOMETRIC TOLERANCING PER: ASME 14.5M-1994	THE SUBJECT MATTER SHOWN AND DESCRIBED IN THIS DRAWING AND ANY OTHER INFORMATION ADVANCED IN CONNECTION THEREWITH, IS PROPRIETARY PROPERTY AND IS TO BE HELD IN STRICT CONFIDENCE BY YOU. ALL RIGHTS TO ANY INVENTIONS, DESIGNS, TRADE MARKS, TRADE NAMES AND COPYRIGHTS DISCLOSED ARE RESERVED TO TICO TERMINAL SERVICES, INC.		SIZE B
FINISH	DWG. NO. 720849-A1	REV	SHEET 1 OF 1
THICKNESS			

8 7 6 5 4 3 2 1

TICO PRO-SPOTTER

HEATER ASSY

720849

ITEM	PART #	QTY/M	DESCRIPTION	
1	91722-34	1	MODULE, HEATER ACC	
2	91722-36	1	ASS'Y, PLENUM - CABLE CONTROL	
3	91722-16	1	ADAPTER, 3" TO 2-1/2" HOSE	
NS	91722-6	2 FT	HOSE, 2-1/2" I.D. ULTRA SMOOTH	
NS	20337	2	CLAMP, WORMGEAR, LINER, 2 1/2" DIA HOSE	
4	91722-26	2.88 FT	HOSE, 3" FLEX	
	91722-26	1.75 FT	HOSE, 3" FLEX	
	91722-26	1.00 FT	HOSE, 3" FLEX	
5	42299	3	CLAMP, WORMGEAR, LINER, 3" DIA HOSE	
6	91722-4	6 FT	HOSE, 2" FLEX	
	91722-4	5 FT	HOSE, 2" FLEX	
7	42157	4	CLAMP, WORMGEAR, LINER, 2" DIA HOSE	
8	91783	1	MANIFOLD DEFROSTER-LEFT HAND	
9	82392	2	BOLT, HEX 1/4-20 x 1 1/2 Lg	
10	80129	6	WASHER, FENDER 1/4-20 x 1 1/4	
11	91828	1	MANIFOLD DEFROSTER RH - ACC	
12	82392	2	BOLT, HEX 1/4-20 x 1 1/2 Lg	
13	80129	6	WASHER, FENDER 1/4-20 x 1 1/4	
14	80303	3	GROMMET, RUBBER 1/2 x 5/8 x 5/16 HOLE	
15	85089	2	WASHER, FLAT 1/4	
16	85023	2	LOCKNUT, 1/4"-20	
17	91722-13	2	LOUVER, 2-1/2" NO ADAPTER BALL	
NS	91722-14	2	ADAPTER, 2" HOSE BALL LOUVER	
18	91722-15	2	RING, LOUVER TRIM	
19	80272	2	SCREW, WOOD # 10 x 3 Lg	
20	91722-18	1	LOUVER, 3" FIXED DOWNDRAFT	
	80262	4	SCREW, WOOD 5-20 x 3/4 Lg	
21				
22	91722-17	1	ADAPTER, 3" HOSE FLANGED	
23	80262	2	SCREW, WOOD 5-20 x 3/4 Lg	
24	920001	1	VALVE, HEATER FLOW CONTROL, INVERTED	
REV	DATE	BY		SHEET
A	6/3/2020	BRN		1 OF 1