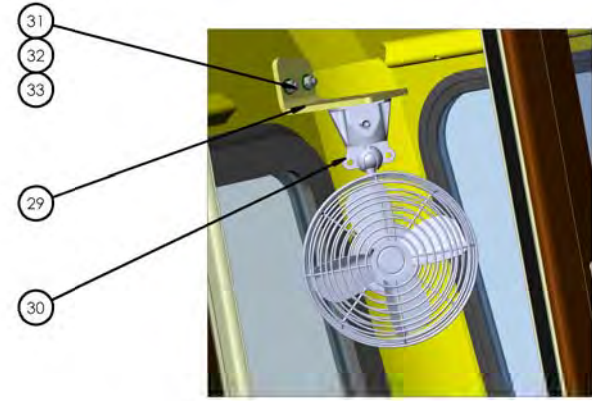
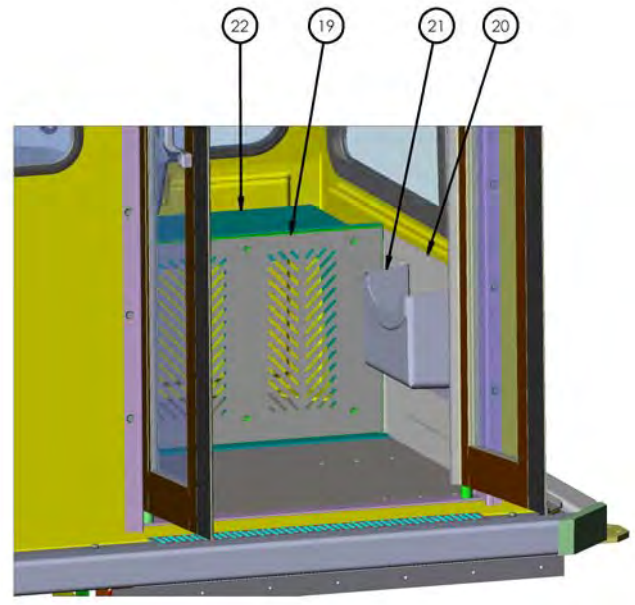
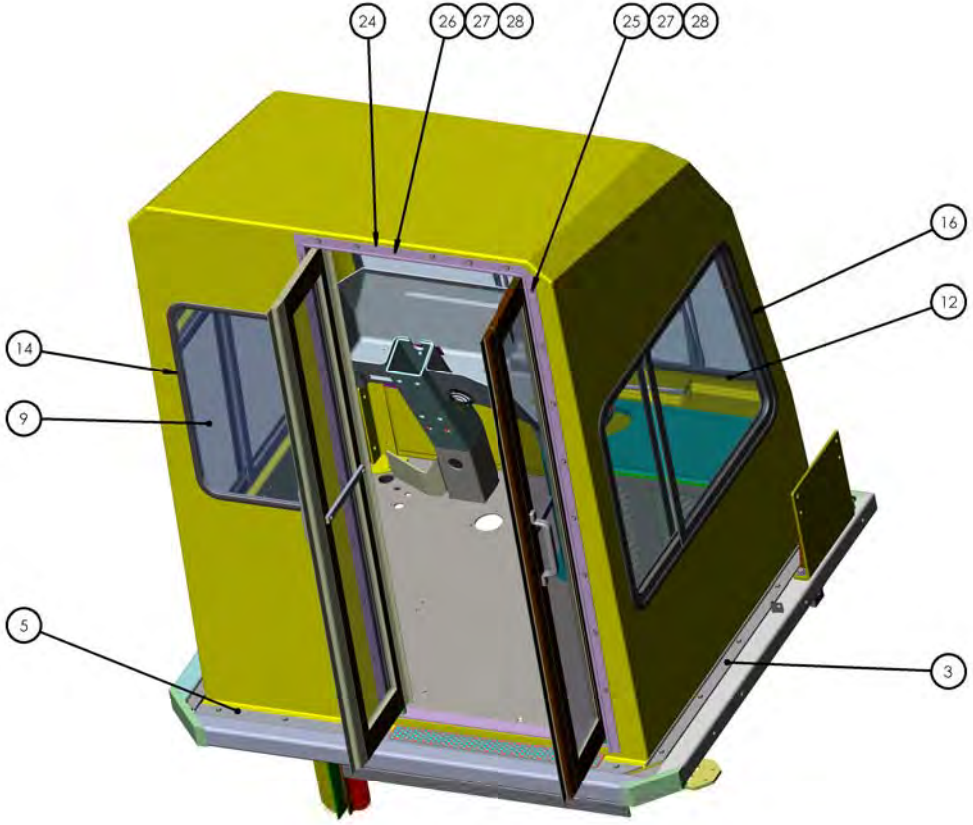


DIMENSIONS ARE IN INCHES		NAME	DATE
TOLERANCES:		DRAWN	03/14/2017
DECIMAL:		CHECKED	
.XX ± 0.04		APPROVED	
.XXX ± 0.03		DO NOT SCALE DRAWING	
.XXX ± 0.05		THE SUBJECT MATTER SHOWN AND DESCRIBED IN THIS DRAWING AND ANY OTHER INFORMATION ADVANCED IN CONNECTION THEREWITH IS PROPRIETARY PROPERTY AND IS TO BE HELD IN STRICT CONFIDENCE BY YOU. ALL RIGHTS TO ANY INVENTION, DESIGN, TRADE MARK, TRADE NAME AND COPYRIGHTS DECLARED ARE RESERVED TO TICG TRAVEL SERVICES, INC.	
ANGULAR:		TICG MANUFACTURING 86 CYPRESS RIDGE DR. RIDGELAND, SC 29936 (843) 717-2226	
FRACTIONAL:		TITLE: CAB ASSEMBLY, 72" DOOR	
1/32		SIZE	DWG. NO.
MATERIAL:		C	720836-C1
FINISH:		REV	
SEE NOTE		SCALE: 1:24   WEIGHT: 1488.98   SHEET 1 OF 2	
FINISH:			
TICKETS:			
N/A			



DIMENSIONS ARE FINISHED UNLESS OTHERWISE SPECIFIED		NAME	DATE
DECIMAL		DRAWN	MAK
1/8" = 1/8"	1/16"	CHECKED	
1/4" = 1/4"	1/32"	APPROVED	
3/8" = 3/8"	1/64"	DO NOT SCALE DRAWING	
1" = 1"	1/32"	THE SUBJECT MATTER SHOWN AND DESCRIBED IN THIS DRAWING AND ANY OTHER INFORMATION CONTAINED HEREIN IS THE PROPERTY OF TICO AND IS TO BE HELD IN STRICT CONFIDENCE BY YOU. ALL RIGHTS TO ANY PATENTS, DESIGN, TRADE MARKS, TRADE NAMES AND COPYRIGHTS DECLARED ARE RESERVED TO TICO TERMINAL SERVICE, INC.	
TICO/TERMINAL SERVICE 66 CYPRESS RIDGE DR. RIDGELAND, SC 29936 (843) 717-2226		TITLE: CAB ASSEMBLY, 72" DOOR	
SCALE: 1:24	WEIGHT: 1488.98	SHEET 2 OF 2	



