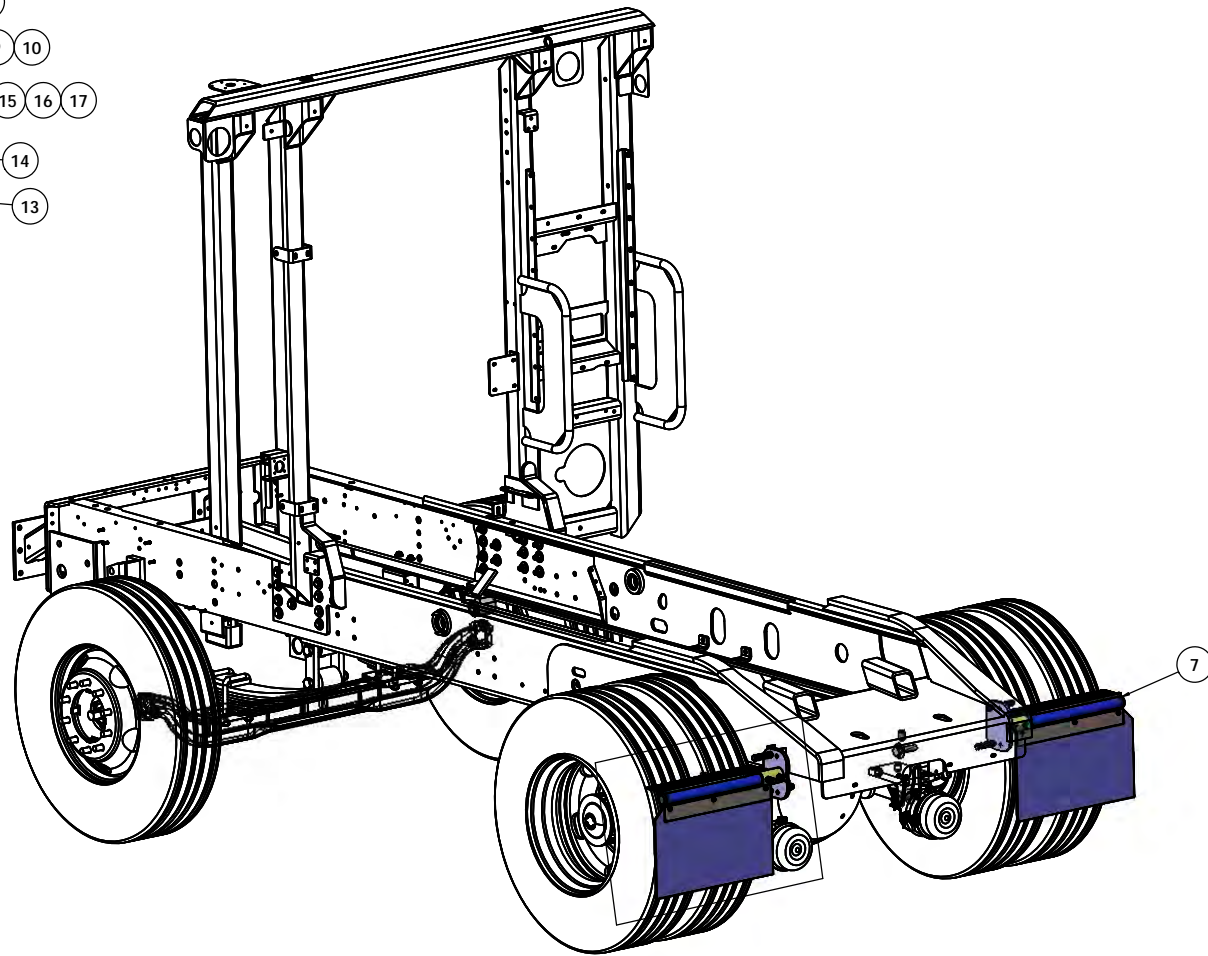


TYPICAL FENDER DETAIL



DIMENSIONS ARE IN INCHES		NAME	DATE
TOLERANCES:		DRAMAN	MAL
DECIMALS	± .006		6/7/2018
FRACTIONS	± .003		
ANGULAR	± .1°		
FRACTIONAL	± .12°		
DATE:			
BY:			
CHKD:			
APP'D:			
REV:			
SEE NOTE			
REVISION:			

TICO MANUFACTURING
 INC. CYPRESS, TEXAS 77429
 (843) 377-2226
 TITLE: FENDER, REAR, REAR FLAP
 W/BRUSH
 SIZE: DWG. NO. 720832-A1
 SCALE: 1:32 [WEIGHT: 45.72725] SHEET 1 OF 1

