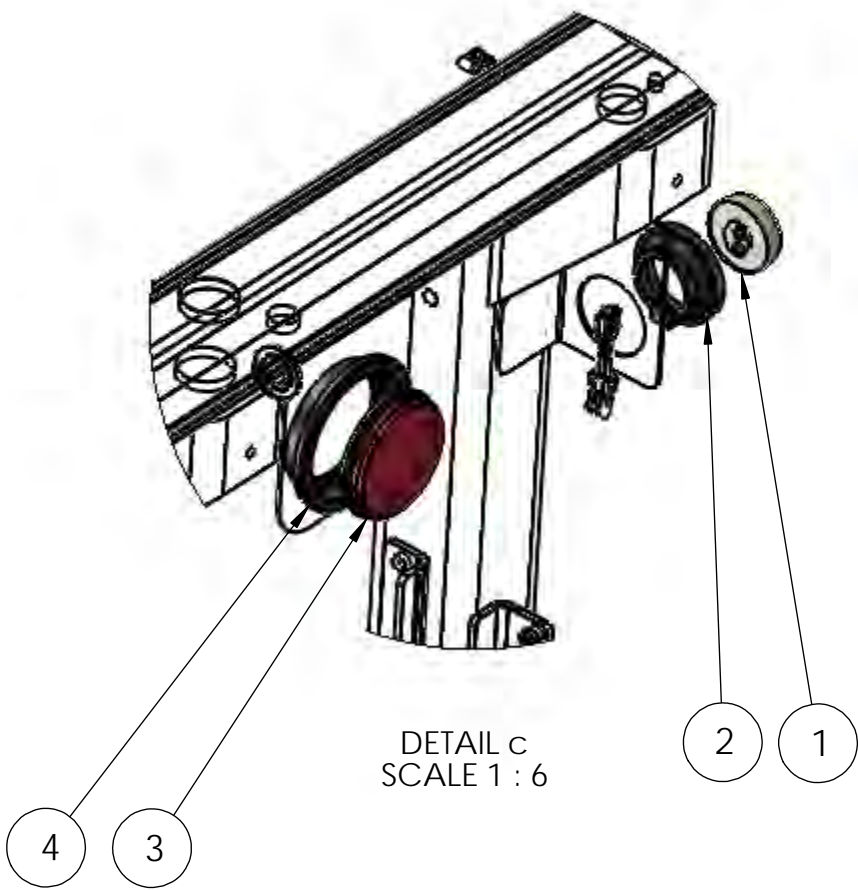
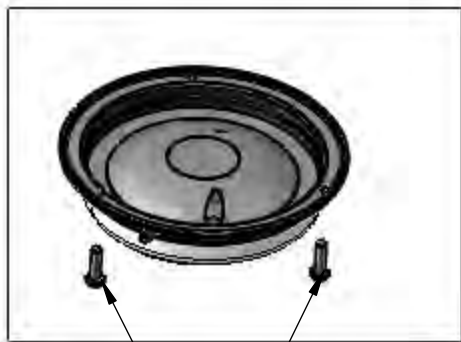
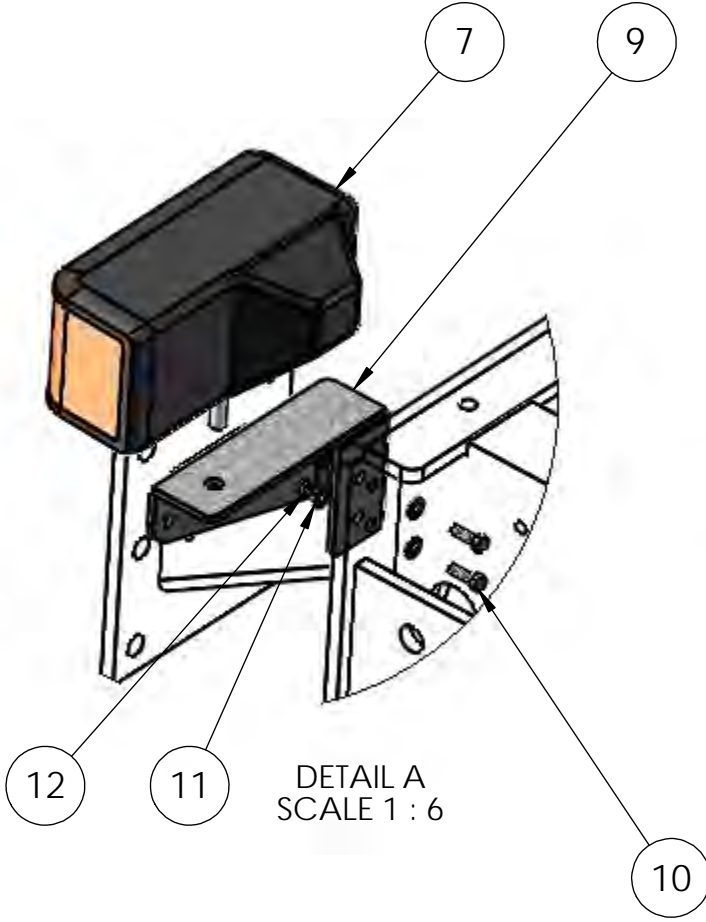


DETAIL B
SCALE 1 : 4

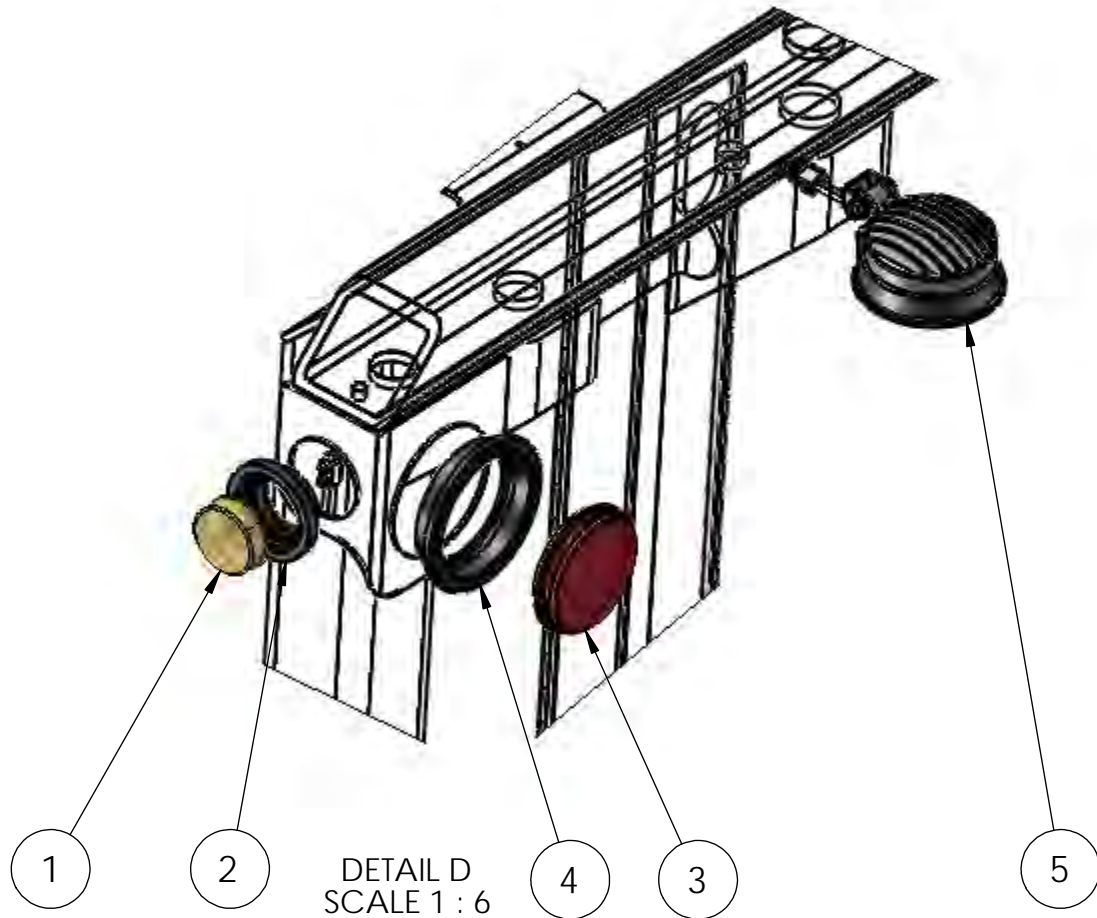


DETAIL c
SCALE 1 : 6

DETAIL A
SCALE 1 : 6



DETAIL D
SCALE 1 : 6



DIMENSIONS ARE IN INCHES
TOLERANCES:
DECIMAL:
XX ± 0.06
X.XX ± 0.03
X.XXX ± 0.005
ANGULAR: ± 0.5°
FRACTIONAL: ± 1/32"

DRAWN	NAME	DATE
CHECKED	DFM	09/30/2015
APPROVED		

TICO/TERMINAL SERVICE
66 CYPRESS RIDGE DR.
RIDGELAND, SC 29936
(843) 717-2226

TITLE:
LIGHTS AND MOUNTING

INTERPRET GEOMETRIC TOLERANCING PER: ASME 14.5M-1994
MATERIAL
FINISH
THICKNESS

THE SUBJECT MATTER SHOWN AND DESCRIBED IN THIS DRAWING AND ANY OTHER INFORMATION ADVANCED IN CONNECTION THEREWITH, IS PROPRIETARY PROPERTY AND IS TO BE HELD IN STRICT CONFIDENCE BY YOU. ALL RIGHTS TO ANY INVENTIONS, DESIGNS, TRADEMARKS, TRADE NAMES AND COPYRIGHTS DISCLOSED ARE RESERVED TO TICO TERMINAL SERVICES, INC.

SIZE	DWG. NO.	REV
C	720825-A1	A1

SCALE: 1:24 SHEET 1 OF 1

