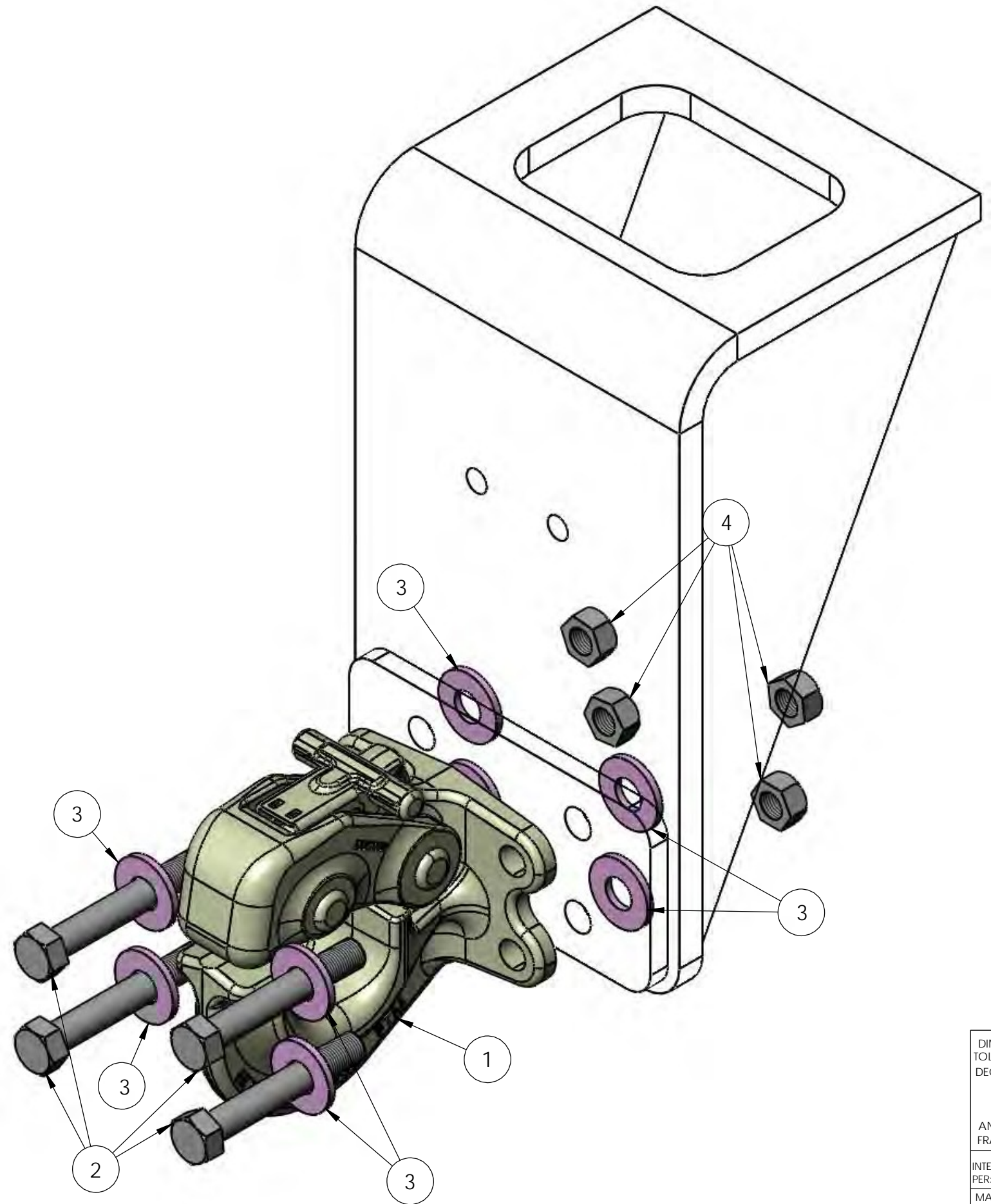


8 7 6 5 4 3 2 1


D  
C  
B  
A

D  
C  
B  
A



DIMENSIONS ARE IN INCHES	
TOLERANCES:	
DECIMAL:	
X.X ± 0.06	
X.XX ± 0.03	
X.XXX ± 0.005	
ANGULAR:	± 0.5°
FRACTIONAL:	± 1/32"
INTERPRET GEOMETRIC TOLERANCING PER: ASME 14.5M-1994	
MATERIAL	
FINISH	
THICKNESS	

	NAME	DATE
DRAWN	SMB	9/9/15
CHECKED		
APPROVED		
DO NOT SCALE DRAWING		
THE SUBJECT MATTER SHOWN AND DESCRIBED IN THIS DRAWING AND ANY OTHER INFORMATION ADVANCED IN CONNECTION THEREWITH, IS PROPRIETARY PROPERTY AND IS TO BE HELD IN STRICT CONFIDENCE BY YOU. ALL RIGHTS TO ANY INVENTIONS, DESIGNS, TRADE MARKS, TRADE NAMES AND COPYRIGHTS DISCLOSED ARE RESERVED TO TICO TERMINAL SERVICES, INC.		

		TICO/TERMINAL SERVICE 66 CYPRESS RIDGE DR. RIDGELAND, SC 29936 (843) 717-2226	
TITLE:			
PINTLE HOOK REAR 5 TON			
SIZE	DWG. NO.	REV	
<b>B</b>	720824-A1	<b>A</b>	
SCALE: 1:2	WEIGHT: 28.09	SHEET 1 OF 1	

8 7 6 5 4 3 2 1

