

|                                                                                      |  |                                                                                                                                                                                                                                                                                                  |      |                                                                                            |         |
|--------------------------------------------------------------------------------------|--|--------------------------------------------------------------------------------------------------------------------------------------------------------------------------------------------------------------------------------------------------------------------------------------------------|------|--------------------------------------------------------------------------------------------|---------|
| DIMENSIONS ARE IN INCHES                                                             |  | NAME                                                                                                                                                                                                                                                                                             | DATE | <br>TICO/TERMINAL SERVICE<br>66 CYPRESS RIDGE DR.<br>RIDGELAND, SC 29936<br>(843) 717-2226 |         |
| TOLERANCES                                                                           |  | DRAWN                                                                                                                                                                                                                                                                                            | SMB  |                                                                                            | 8/27/15 |
| DECIMAL                                                                              |  | CHECKED                                                                                                                                                                                                                                                                                          |      |                                                                                            |         |
| FRACTIONAL                                                                           |  | APPROVED                                                                                                                                                                                                                                                                                         |      |                                                                                            |         |
| .XX ± 0.06<br>.XXX ± 0.03<br>.XXXX ± 0.005<br>ANGULAR: ± 0.5°<br>FRACTIONAL: ± 1/32" |  | DO NOT SCALE DRAWING                                                                                                                                                                                                                                                                             |      | TITLE:<br><b>AIR SYSTEM, 3 TANK</b>                                                        |         |
| INTERNET GEOMETRIC TOLERANCING PER: ASME Y14.5M-1994                                 |  | THE SUBJECT MATTER SHOWN AND DESCRIBED IN THIS DRAWING AND ANY OTHER INFORMATION ADVANCED IN CONNECTION HERWITH IS TO BE HELD IN STRICT CONFIDENCE BY YOU. ALL RIGHTS TO ANY INVENTIONS, DESIGNS, TRADE MARKS, TRADE NAMES AND COPYRIGHTS DISCLOSED ARE RESERVED TO TICO TERMINAL SERVICES, INC. |      | SIZE DWG. NO. REV                                                                          |         |
| MATERIAL                                                                             |  | SCALE: 1:3                                                                                                                                                                                                                                                                                       |      | WEIGHT: SHEET 1 OF 1                                                                       |         |
| FINISH                                                                               |  |                                                                                                                                                                                                                                                                                                  |      |                                                                                            |         |
| THICKNESS                                                                            |  |                                                                                                                                                                                                                                                                                                  |      |                                                                                            |         |

720820-B1

| TICO PRO-SPOTTER |           |                                                               |                                                                               |        |
|------------------|-----------|---------------------------------------------------------------|-------------------------------------------------------------------------------|--------|
| S/N:             |           | AIR SYSTEM-DOT 121, 3 TANKS, MV3, 5TH WHEEL INHIBIT, PHILLIPS |                                                                               | 720820 |
| ITEM             | PART #    | QTY/M                                                         | DESCRIPTION                                                                   | TASK   |
|                  | 720820-B1 |                                                               | AIR SYSTEM INSTALLATION                                                       |        |
|                  | 620538    |                                                               | SCHEMATIC-DOT, THREE TANKS, MV3, 5TH WHEEL INHIBIT                            |        |
| 1                | 42087     | 1                                                             | AIR RESERVOIR ASSEMBLY-TWO TANKS<br>(SEE ASSEMBLY 42087 FOR INDIVIDUAL PARTS) |        |
| 2                | 12336     | 1                                                             | PLATE-RESERVOIR MOUNTING                                                      |        |
| 3                | 82385     | 4                                                             | BOLT, HEX HD 1/2-NC X1 1/4LG                                                  |        |
| 4                | 85115     | 4                                                             | WASHER, 1/2 FLAT                                                              |        |
| 5                | 85027     | 4                                                             | NUT, 1/2-NC NYLOCK                                                            |        |
| 6                | 10032     | 1                                                             | RESERVOIR-AIR, 9 1/2"DIA X 25, 1578 CU IN                                     |        |
| 7                | 40393-1   | 4                                                             | BRACKET-AIR TANK MOUNT                                                        |        |
| NOT SHOWN        | 82603     | 2                                                             | BOLT, HEX HD 3/8-NC X 6 1/2 LG                                                |        |
| NOT SHOWN        | 82394     | 4                                                             | BOLT, HEX HD 3/8-NC X 1 1/2 LG                                                |        |
| NOT SHOWN        | 85102     | 4                                                             | WASHER, 3/8 FLAT                                                              |        |
| NOT SHOWN        | 85025     | 4                                                             | NUT, 3/8-NC NYLOCK                                                            |        |
| NOT SHOWN        | 42265     | 1                                                             | FITTING, ELBOW 90°, BRASS 1/2 TUBE X 1/2 NPT                                  |        |
| 8                | 40148     | 2                                                             | VALVE-AIR TANK DRAIN                                                          |        |
| 9                | 60023     | 1                                                             | GOVERNOR-D2 W/GASKET, 3 PLUGS                                                 |        |
| NOT SHOWN        | 80308     | 2                                                             | BOLT, SOCKET HD M8 X 1.25 X 70mm LG                                           |        |
| NOT SHOWN        | 85134     | 2                                                             | WASHER, 5/16 LOCK                                                             |        |
| NOT SHOWN        | 40857     | 3                                                             | FITTING, ELBOW 90°, BRASS 1/4 TUBE X 1/8 NPT                                  |        |
| 10               | 90026     | 1                                                             | TREADLE-BRAKE                                                                 |        |
| 11               | 40547     | 1                                                             | VALVE-DUAL BRAKE, E-6                                                         |        |
| NOT SHOWN        | 82360     | 3                                                             | BOLT, HD 5/16-NC X 3/4 LG                                                     |        |
| NOT SHOWN        | 85024     | 3                                                             | NUT, 5/16-NC NYLOCK                                                           |        |
| NOT SHOWN        | 40821     | 2                                                             | FITTING, TEE-STREET, BRASS 3/8 NPT                                            |        |
| NOT SHOWN        | 40884     | 1                                                             | FITTING, ELBOW 90°, BRASS 5/8 TUBE X 3/8 NPT                                  |        |
| NOT SHOWN        | 40874     | 2                                                             | FITTING, REDUCER, BRASS 3/8 NPT X 1/4 NPT                                     |        |
| NOT SHOWN        | 40881     | 2                                                             | FITTING, ELBOW 45°, BRASS 1/4 TUBE X 1/4 NPT                                  |        |
| NOT SHOWN        | 40819     | 2                                                             | FITTING, ELBOW 90°, BRASS 1/2 TUBE X 3/8 NPT                                  |        |
| NOT SHOWN        | 40823     | 5                                                             | FITTING, ELBOW 90°, BRASS 3/8 TUBE X 3/8 NPT                                  |        |
| NOT SHOWN        | 40813     | 1                                                             | FITTING, REDUCER, BRASS 1/4 NPT X 1/8 NPT                                     |        |
| 12               | 91236     | 1                                                             | SWITCH-DUAL CIRCUIT, NO-NC, 4 PSI                                             |        |
| REV              | DATE      | BY                                                            |                                                                               | SHEET  |
|                  |           |                                                               |                                                                               | 1 OF 4 |

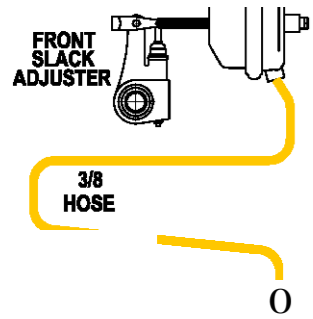
TICO MANUFACTURING - RIDGELAND, SC 29936

| TICO PRO-SPOTTER                         |        |                                                               |                                                      |        |
|------------------------------------------|--------|---------------------------------------------------------------|------------------------------------------------------|--------|
| S/N:                                     |        | AIR SYSTEM-DOT 121, 3 TANKS, MV3, 5TH WHEEL INHIBIT, PHILLIPS |                                                      | 720820 |
| ITEM                                     | PART # | QTY/M                                                         | DESCRIPTION                                          | TASK   |
| 13                                       | 40550  | 1                                                             | VALVE-BRAKE QUICK RELEASE, QR-1                      |        |
| NOT SHOWN                                | 81546  | 2                                                             | BOLT, HEX HD 5/16-NC X 1 1/4 LG                      |        |
| NOT SHOWN                                | 85101  | 2                                                             | WASHER, 5/16 FLAT                                    |        |
| NOT SHOWN                                | 85024  | 2                                                             | NUT, 5/16-NC NYLOCK                                  |        |
| NOT SHOWN                                | 40864  | 2                                                             | FITTING, STR, BRASS 3/8 TUBE X 3/8 NPT               |        |
| NOT SHOWN                                | 42064  | 1                                                             | FITTING, ELBOW 90°, BRASS 1/2 TUBE X 1/2 NPT         |        |
|                                          |        |                                                               |                                                      |        |
| 14                                       | 40572  | 1                                                             | VALVE-BOBTAIL/PROPORTIONING, BP-R1, W/BRACKET        |        |
| NOT SHOWN                                | 81535  | 2                                                             | BOLT, HEX HD 5/16-NC X 1 LG                          |        |
| NOT SHOWN                                | 85101  | 2                                                             | WASHER, 5/16 FLAT                                    |        |
| NOT SHOWN                                | 85024  | 2                                                             | NUT, 5/16-NC NYLOCK                                  |        |
| NOT SHOWN                                | 40830  | 1                                                             | FITTING, ELBOW 45°, BRASS 1/2 TUBE X 1/2 NPT         |        |
| NOT SHOWN                                | 42064  | 2                                                             | FITTING, ELBOW 90°, BRASS 3/8 TUBE X 1/2 NPT, SWIVEL |        |
| NOT SHOWN                                | 42063  | 1                                                             | FITTING, ELBOW 90°, BRASS 3/8 TUBE X 1/4 NPT         |        |
| NOT SHOWN                                | 42112  | 1                                                             | FITTING, ELBOW 90°, BRASS 3/8 TUBE X 1/8 NPT         |        |
| NOT SHOWN                                | 80163  | 1                                                             | FITTING, PLUG ALLEN, BRASS 1/2 NPT                   |        |
| NOT SHOWN                                | 40841  | 1                                                             | FITTING, PLUG ALLEN, BRASS 3/8 NPT                   |        |
| NOT SHOWN                                | 40840  | 1                                                             | FITTING, ELBOW 90°, BRASS 1/4 TUBE X 3/8 NPT         |        |
|                                          |        |                                                               |                                                      |        |
| 15                                       | 10592  | 1                                                             | VALVE-BRAKE QUICK RELEASE, QR-1C                     |        |
| NOT SHOWN                                | 81546  | 2                                                             | BOLT, HEX HD 5/16-NC X 1 1/4 LG                      |        |
| NOT SHOWN                                | 85101  | 2                                                             | WASHER, 5/16 FLAT                                    |        |
| NOT SHOWN                                | 85024  | 2                                                             | NUT, 5/16-NC NYLOCK                                  |        |
| NOT SHOWN                                | 40864  | 2                                                             | FITTING, STR, BRASS 3/8 TUBE X 3/8 NPT               |        |
| NOT SHOWN                                | 40823  | 1                                                             | FITTING, ELBOW 90°, BRASS 3/8 TUBE X 3/8 NPT         |        |
| NOT SHOWN                                | 42063  |                                                               | FITTING, ELBOW 90°, BRASS 3/8 TUBE X 1/4 NPT         |        |
| NOT SHOWN                                | 40857  |                                                               | FITTING, ELBOW 90°, BRASS 1/4 TUBE X 1/4 NPT         |        |
|                                          |        |                                                               |                                                      |        |
| 16                                       | 91966  | 1                                                             | VALVE-INVERSION, TR-3                                |        |
| NOT SHOWN                                | 40885  | 1                                                             | FITTING, ELBOW 90°, BRASS 3/8 TUBE X 1/8 NPT, SWIVEL |        |
| NOT SHOWN                                | 40861  | 2                                                             | FITTING, ELBOW 90°, BRASS 1/4 TUBE X 1/4 NPT, SWIVEL |        |
| NOT SHOWN                                | 42273  | 1                                                             | FITTING, UNION TEE, BRASS 3/8 TUBE                   |        |
|                                          |        |                                                               |                                                      |        |
| 17                                       | 10949  | 1                                                             | MANIFOLD ASSY-AIR                                    |        |
| NOT SHOWN                                | 82459  | 2                                                             | BOLT, HEX HD 5/16-NC X 3 LG                          |        |
| NOT SHOWN                                | 85101  | 2                                                             | WASHER, 5/16 FLAT                                    |        |
| NOT SHOWN                                | 85024  | 2                                                             | NUT, 5/16-NC NYLOCK                                  |        |
| NOT SHOWN                                | 42133  | 1                                                             | FITTING, ELBOW 45°, BRASS 3/8 TUBE X 1/2 NPT, SWIVEL |        |
| NOT SHOWN                                | 42090  | 1                                                             | FITTING, REDUCER, BRASS 1/2 TUBE X 1/4 NPT           |        |
| NOT SHOWN                                | 40833  | 2                                                             | FITTING, STR, BRASS 1/4 TUBE X 3/8 NPT               |        |
|                                          |        |                                                               |                                                      |        |
| REV                                      | DATE   |                                                               |                                                      | SHEET  |
|                                          |        |                                                               |                                                      | 2 OF 4 |
| TICO MANUFACTURING - RIDGELAND, SC 29936 |        |                                                               |                                                      |        |

| TICO PRO-SPOTTER                         |        |                                                               |                                                      |        |
|------------------------------------------|--------|---------------------------------------------------------------|------------------------------------------------------|--------|
| S/N:                                     |        | AIR SYSTEM-DOT 121, 3 TANKS, MV3, 5TH WHEEL INHIBIT, PHILLIPS |                                                      | 720820 |
| ITEM                                     | PART # | QTY/M                                                         | DESCRIPTION                                          | TASK   |
|                                          | 40887  | 3                                                             | FITTING, ELBOW 90°, BRASS 1/4 TUBE X 1/2 NPT, SWIVEL |        |
|                                          | 80163  | 1                                                             | FITTING. PIPE PLUG, HEX, BRASS 1/2 NPT               |        |
| 18                                       | 40635  | 1                                                             | VALVE-TRACTION PROTECTION, TP-3DC                    |        |
| NOT SHOWN                                | 82459  | 2                                                             | BOLT, HEX HD 5/16-NC X 3 LG                          |        |
| NOT SHOWN                                | 85101  | 2                                                             | WASHER, 5/16 FLAT                                    |        |
| NOT SHOWN                                | 85024  | 2                                                             | NUT, 5/16-NC NYLOCK                                  |        |
| NOT SHOWN                                | 90078  | 1                                                             | SWITCH-PRESSURE, STOP LIGHT, SL-5                    |        |
| NOT SHOWN                                | 42208  | 1                                                             | FITTING, STREET ELBOW 90°, BRASS 1/4 NPT             |        |
| NOT SHOWN                                | 42063  | 1                                                             | FITTING, ELBOW 90°, BRASS 3/8 TUBE X 1/4 NPT         |        |
| NOT SHOWN                                | 40823  | 1                                                             | FITTING, ELBOW 90°, BRASS 3/8 TUBE X 3/8 NPT         |        |
| NOT SHOWN                                | 40906  | 1                                                             | FITTING, NIPPLE-HEX, BRASS 3/8 NPT                   |        |
| NOT SHOWN                                | 42240  | 1                                                             | FITTING, ELBOW 90°, BRASS 3/8 TUBE X 3/8 NPT         |        |
| NOT SHOWN                                | 40829  | 3                                                             | FITTING, BULKHD BRASS-1/4                            |        |
| NOT SHOWN                                | 40827  | 4                                                             | FITTING, BULKHD BRASS-3/8                            |        |
| NOT SHOWN                                | 42088  | 2                                                             | FITTING, BULKHD BRASS-1/2                            |        |
| NOT SHOWN                                | 40895  | 1                                                             | FITTING, TEE BRANCH BRASS, 3/8 TUBE 1/4 NPT          |        |
| NOT SHOWN                                | 42121  | 1                                                             | FITTING, TEE BRANCH BRASS, 3/8 TUBE 3/8 NPT          |        |
| NOT SHOWN                                | 40823  | 4                                                             | FITTING, ELBOW 90° BRASS, 3/8 TUBE X 3/8 NPT         |        |
| NOT SHOWN                                | 42063  | 1                                                             | FITTING, ELBOW 90° BRASS, 3/8 TUBE X 1/4 NPT         |        |
| NOT SHOWN                                | 42265  | 4                                                             | FITTING, ELBOW 90° BRASS, 1/2 TUBE X 1/2 NPT         |        |
| NOT SHOWN                                | 40878  | 2                                                             | FITTING, ELBOW 90° BRASS, 5/8 TUBE X 1/2 NPT         |        |
| NOT SHOWN                                | 11000  | 20 ft                                                         | TUBING-NYLON AIR BRAKE 1/4 YW                        |        |
| NOT SHOWN                                | 11020  | 20 ft                                                         | TUBING-NYLON AIR BRAKE 1/4 WH                        |        |
| NOT SHOWN                                | 11021  | 20 ft                                                         | TUBING-NYLON AIR BRAKE 1/4 BL                        |        |
| NOT SHOWN                                | 11003  | 20 ft                                                         | TUBING-NYLON AIR BRAKE 1/4 BK                        |        |
| NOT SHOWN                                | 11007  | 20 ft                                                         | TUBING-NYLON AIR BRAKE 3/8 RD                        |        |
| NOT SHOWN                                | 11001  | 20 ft                                                         | TUBING-NYLON AIR BRAKE 3/8 BL                        |        |
| NOT SHOWN                                | 11023  | 20 ft                                                         | TUBING-NYLON AIR BRAKE 3/8 GN                        |        |
| NOT SHOWN                                | 11026  | 20 ft                                                         | TUBING-NYLON AIR BRAKE 3/8 OR                        |        |
| NOT SHOWN                                | 11004  | 20 ft                                                         | TUBING-NYLON AIR BRAKE 3/8 BK                        |        |
| NOT SHOWN                                | 11013  | 20 ft                                                         | TUBING-NYLON AIR BRAKE 3/8 YW                        |        |
| NOT SHOWN                                | 11005  | 20 ft                                                         | TUBING-NYLON AIR BRAKE 1/2 BK                        |        |
| NOT SHOWN                                | 11009  | 20 ft                                                         | TUBING-NYLON AIR BRAKE 1/2 BL                        |        |
| NOT SHOWN                                | 11002  | 20 ft                                                         | TUBING-NYLON AIR BRAKE 1/2 RD                        |        |
| NOT SHOWN                                | 11014  | 20 ft                                                         | TUBING-NYLON AIR BRAKE 1/2 YW                        |        |
| NOT SHOWN                                | 11025  | 20 ft                                                         | TUBING-NYLON AIR BRAKE 5/8 BK                        |        |
| NOT SHOWN                                | 11024  | 20 ft                                                         | TUBING-NYLON AIR BRAKE 5/8 GN                        |        |
| REV                                      | DATE   |                                                               |                                                      | SHEET  |
|                                          |        |                                                               |                                                      | 3 OF 4 |
| TICO MANUFACTURING - RIDGELAND, SC 29936 |        |                                                               |                                                      |        |



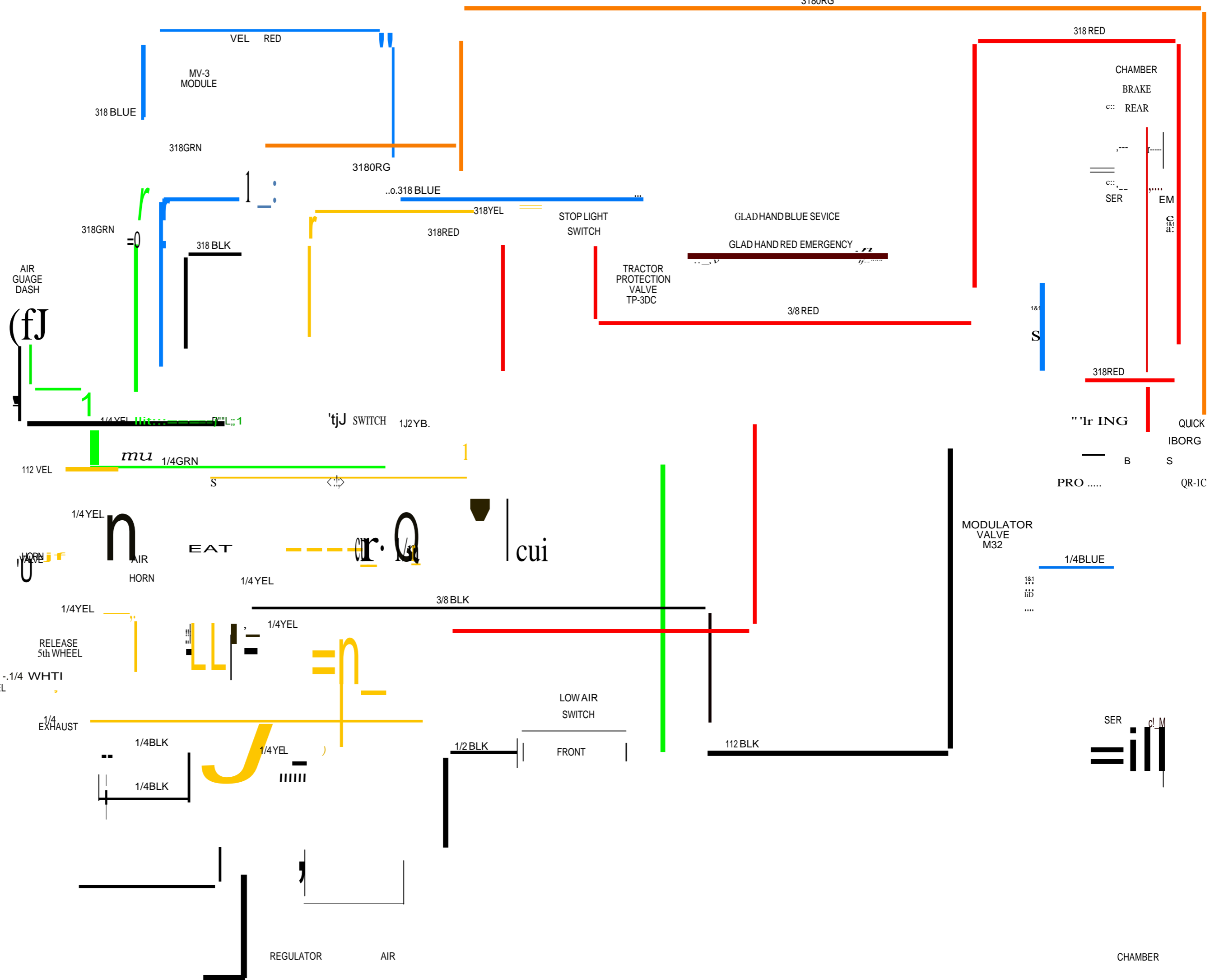
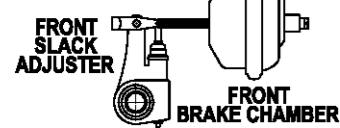
FRONT BRAKE CHAMBER  
**rih**



MODULATOR VALVE M32

FRONT QUICK RELEASE VALVE QR-1

MODULATOR VALVE M32

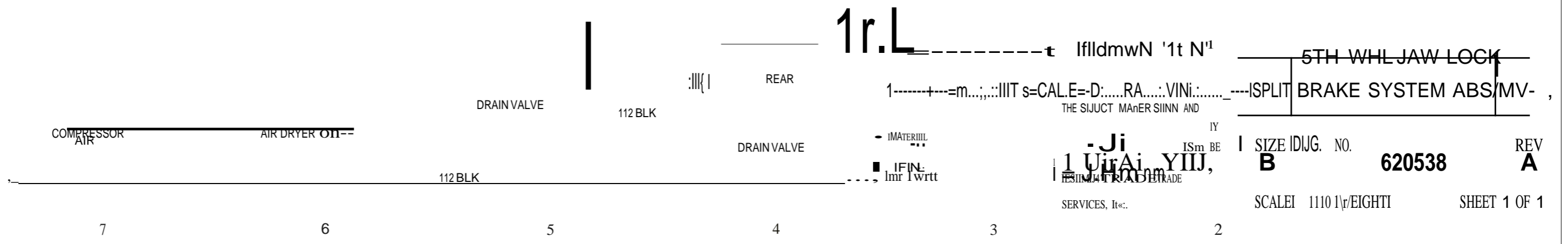


DOOR VALVE ○ 1/4 BLK  
 WETTANK  
 PRESSURE RELIEF



NAME | DATE  
 IIRA'JN | RWC | 7/20/10  
 CHECKED  
 APPROVED

TITLE | AIR SCHEMATIC  
 LI!Jf£'@



1r.L  
 IflldmwN '1t N'  
 THE SIJUCT MAHER SIINN AND  
 I SIZE IDJG. NO. **620538** REV **A**  
 SCALE 1110 1/8 EIGHTH  
 SHEET 1 OF 1

|  |  |  |  |
|--|--|--|--|
|  |  |  |  |
|  |  |  |  |
|  |  |  |  |