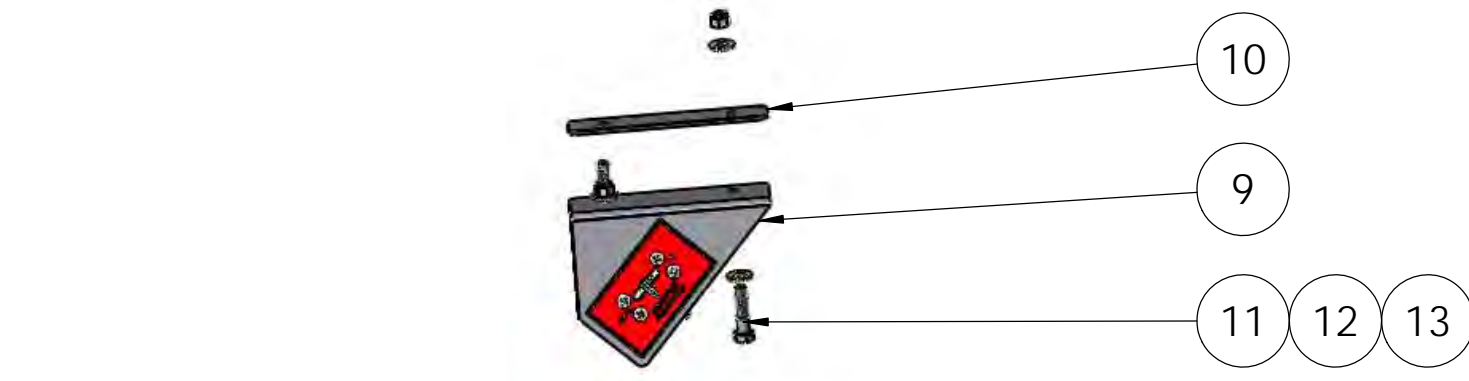
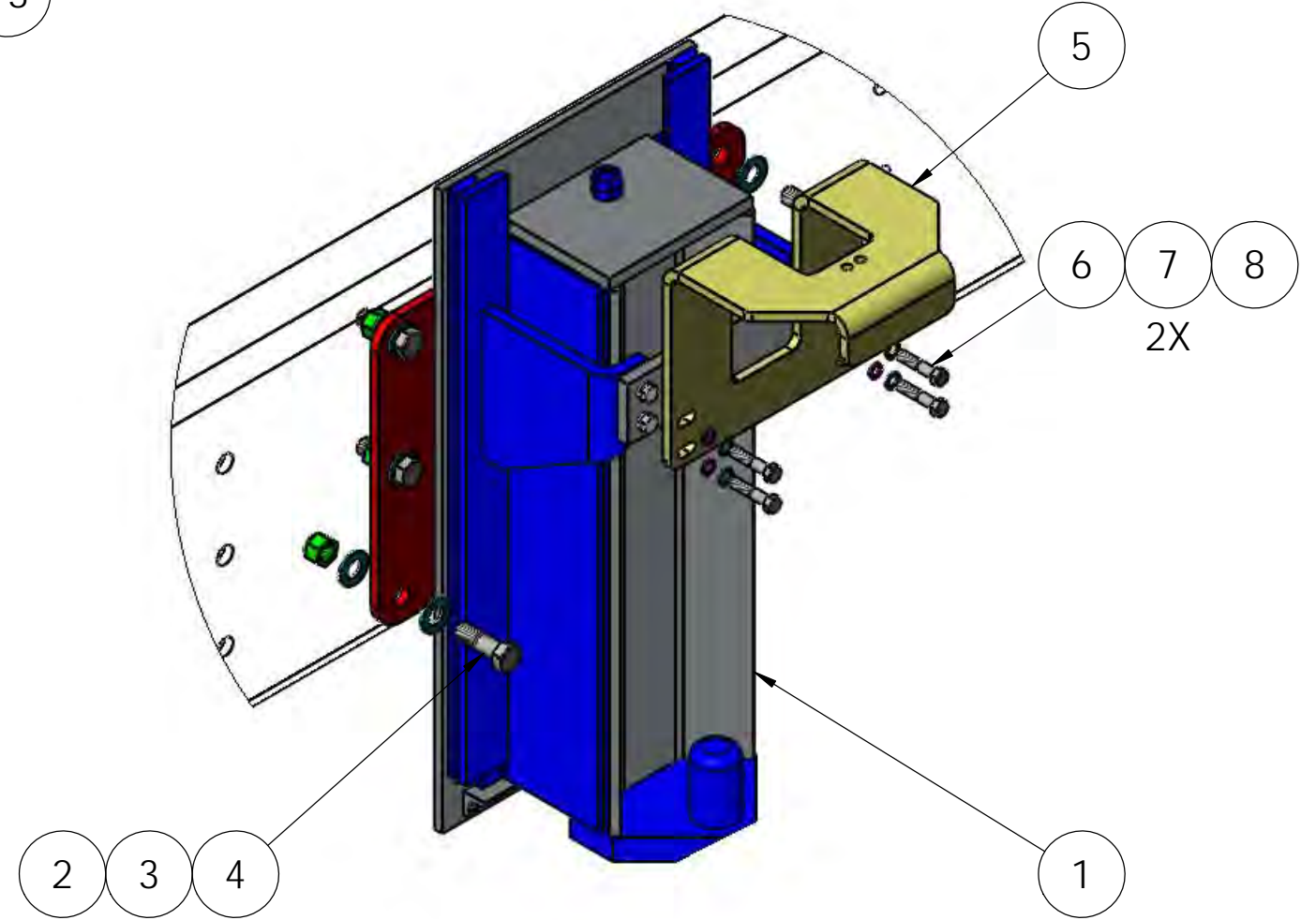
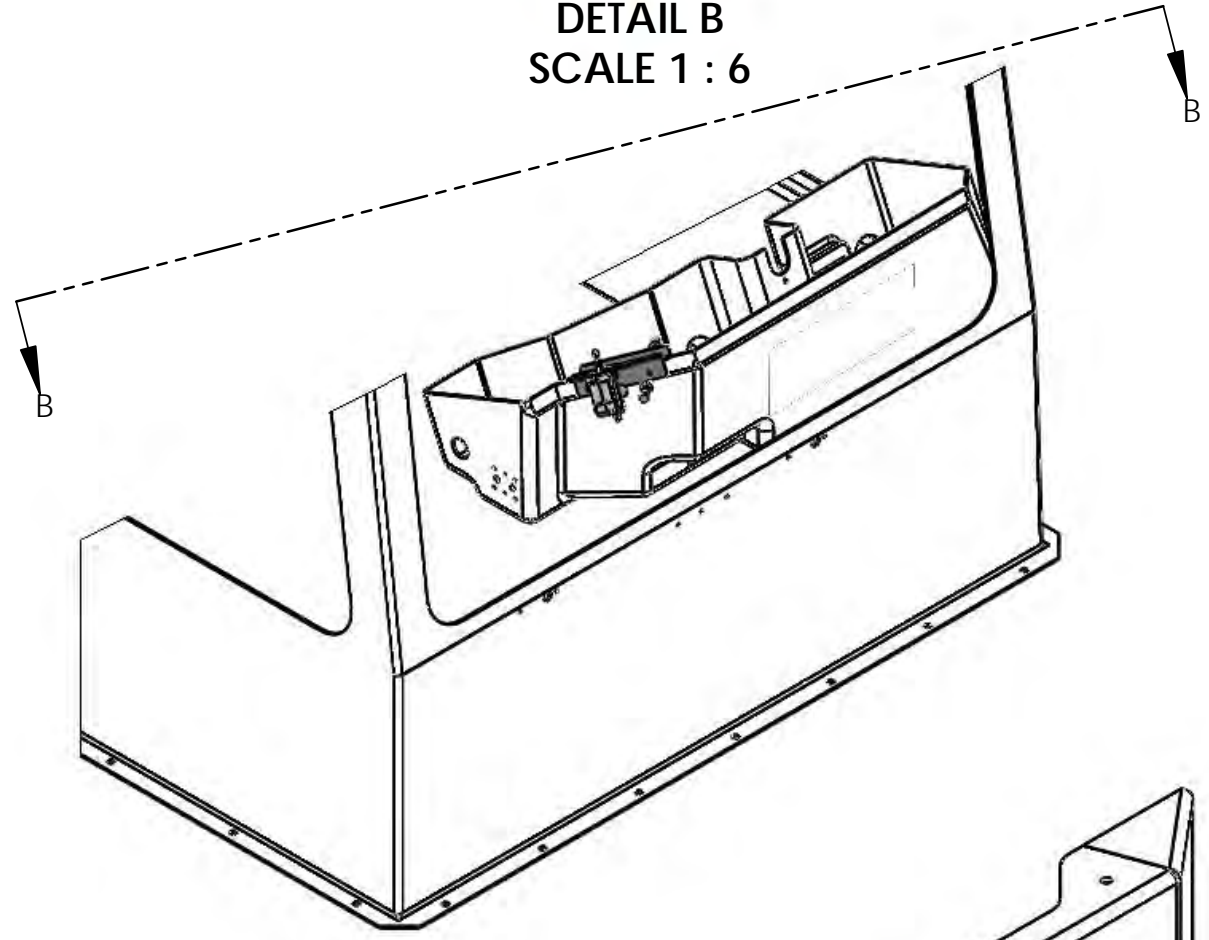


8 7 6 5 4 3 2 1

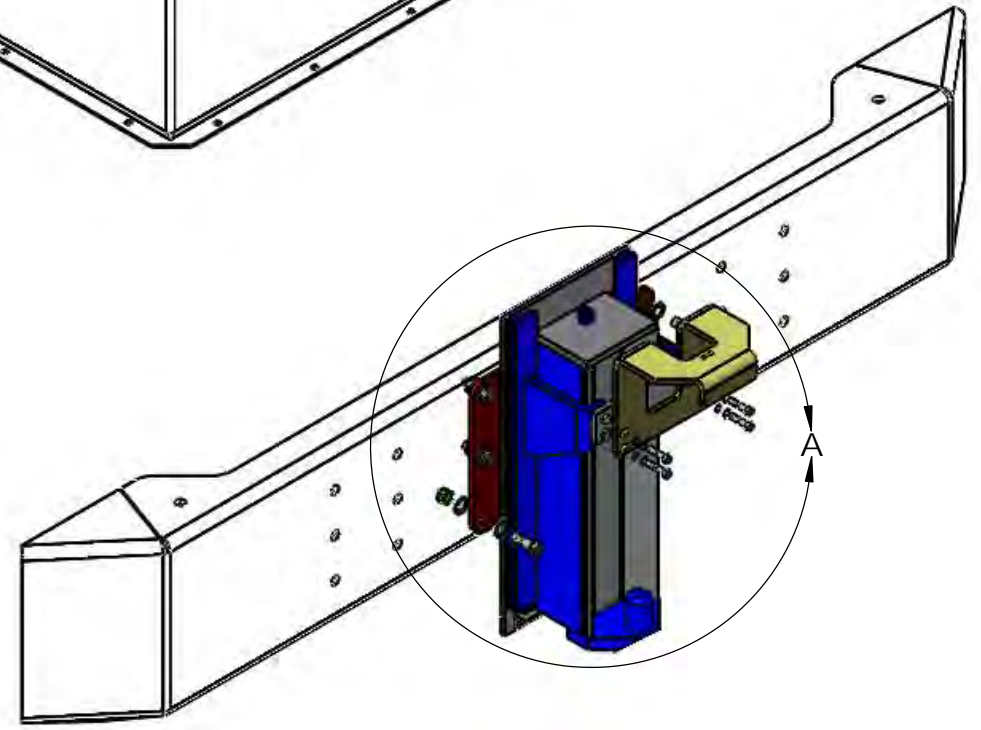
D
C
B
A




DETAIL B
SCALE 1 : 6



DETAIL A
SCALE 1 : 6



| | | | | | |
|--|---|--------------------|---|--|------------------|
| DIMENSIONS ARE IN INCHES TOLERANCES: DECIMAL: X.X ± 0.06 X.XX ± 0.03 X.XXX ± 0.005 ANGULAR: ± 0.5° FRACTIONAL ± 1/32" | DRAWN SMB | NAME SMB | DATE 08/28/2015 |  TICO/TERMINAL SERVICE 66 CYPRESS RIDGE DR. RIDGELAND, SC 29936 (843) 717-2226 | |
| | REVISED MPC | DATE 08/09/2016 | TITLE: DOLLY MASTER | | |
| | APPROVED | | DO NOT SCALE DRAWING | | SIZE B |
| | INTERPRET GEOMETRIC TOLERANCING PER: ASME 14.5M-1994 | | THE SUBJECT MATTER SHOWN AND DESCRIBED IN THIS DRAWING AND ANY OTHER INFORMATION ADVANCED IN CONNECTION THEREWITH, IS PROPRIETARY PROPERTY AND IS TO BE HELD IN STRICT CONFIDENCE BY YOU. ALL RIGHTS TO ANY INVENTIONS, DESIGNS, TRADE MARKS, TRADE NAMES AND COPYRIGHTS DISCLOSED ARE RESERVED TO TICO TERMINAL SERVICES, INC. | | |
| MATERIAL | DWG. NO. 720818-B1 | | REV | SHEET 1 OF 1 | |
| FINISH | | | | | |
| THICKNESS | | | | | |

8 7 6 5 4 3 2 1

